



Chipsmall Limited consists of a professional team with an average of over 10 year of expertise in the distribution of electronic components. Based in Hongkong, we have already established firm and mutual-benefit business relationships with customers from,Europe,America and south Asia,supplying obsolete and hard-to-find components to meet their specific needs.

With the principle of “Quality Parts,Customers Priority,Honest Operation,and Considerate Service”,our business mainly focus on the distribution of electronic components. Line cards we deal with include Microchip,ALPS,ROHM,Xilinx,Pulse,ON,Everlight and Freescale. Main products comprise IC,Modules,Potentiometer,IC Socket,Relay,Connector.Our parts cover such applications as commercial,industrial, and automotives areas.

We are looking forward to setting up business relationship with you and hope to provide you with the best service and solution. Let us make a better world for our industry!



## Contact us

Tel: +86-755-8981 8866 Fax: +86-755-8427 6832

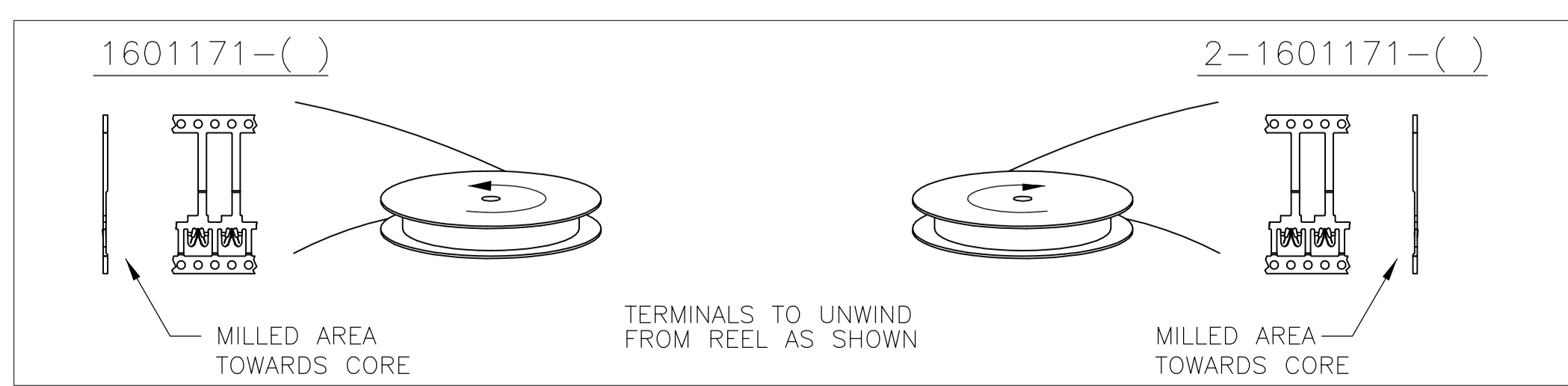
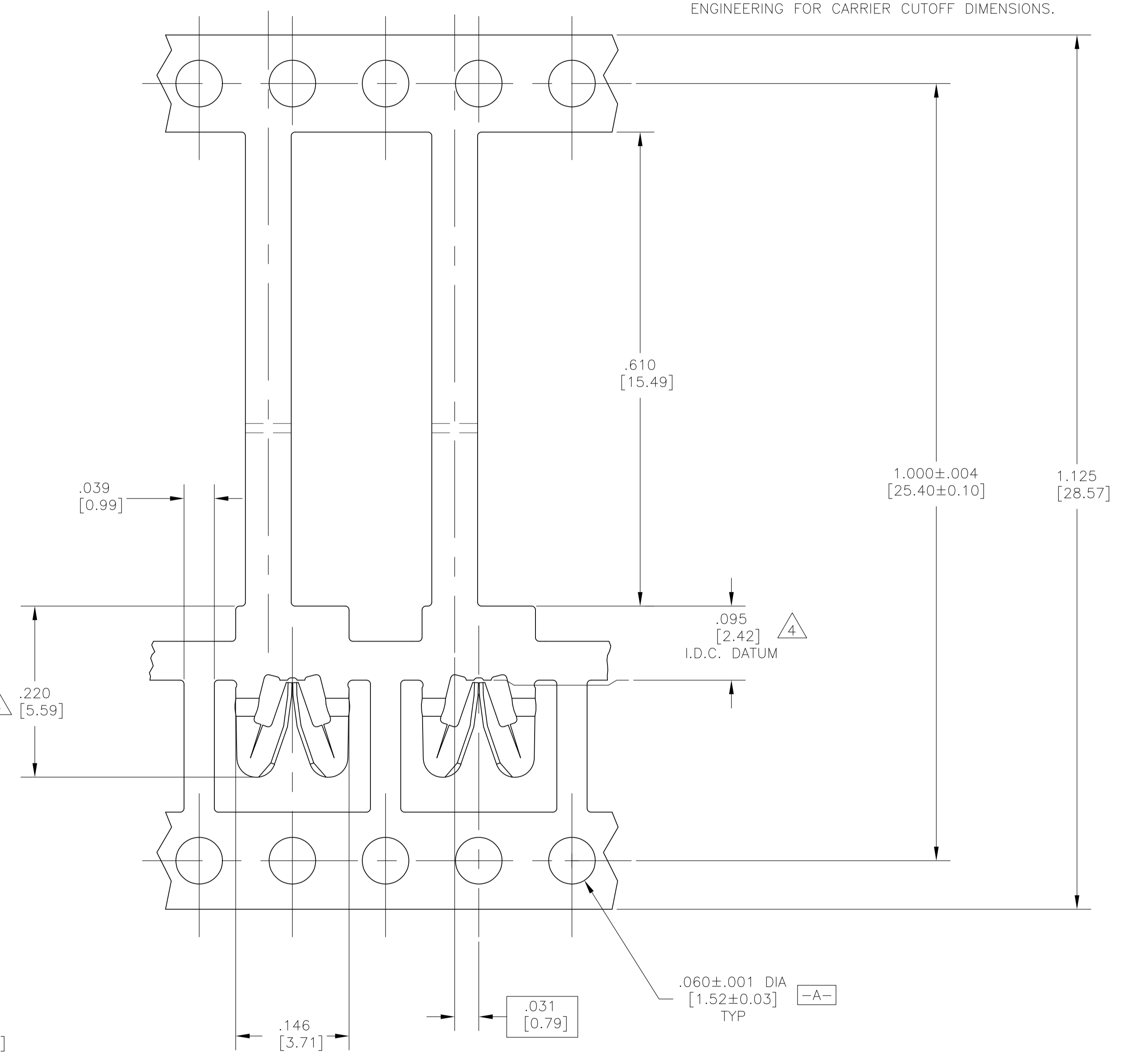
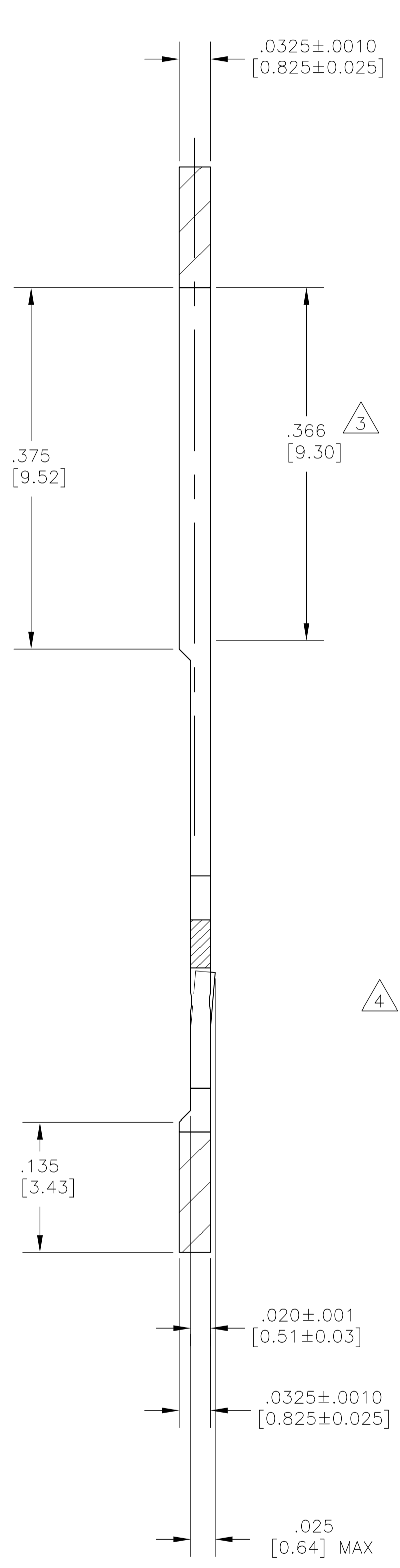
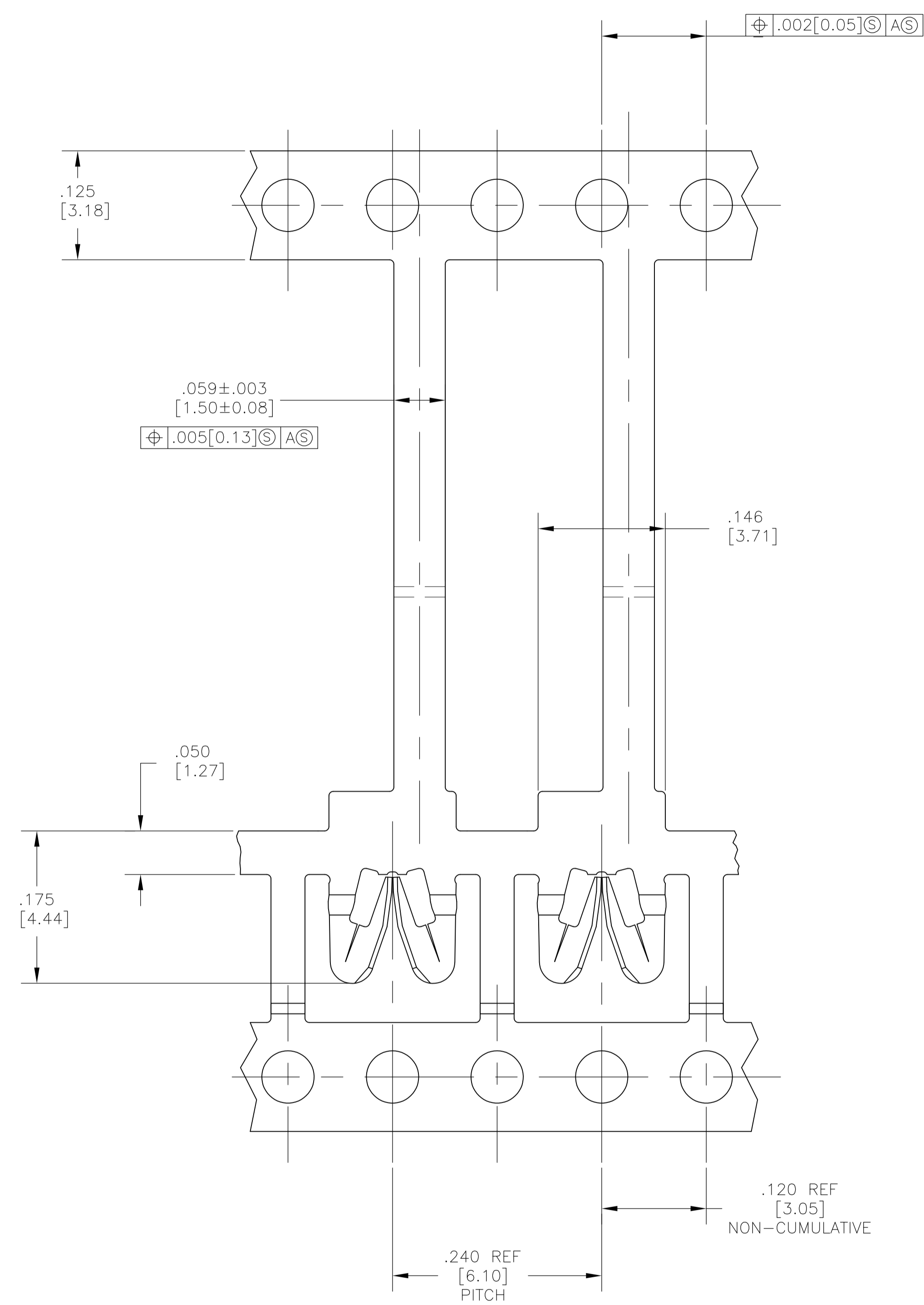
Email & Skype: info@chipsmall.com Web: www.chipsmall.com

Address: A1208, Overseas Decoration Building, #122 Zhenhua RD., Futian, Shenzhen, China



LOC		DIST		REVISIONS			
AF	50	REV	DATE	BY	APPV		
F1		REVISED PER ECR-07-024681	26OCT07	HMR	GJ		

- SPECIFICATIONS: MAGNET WIRE RANGE; #18-#34 .006-.040 DIA [0.16-1.02] mm COPPER. OTHER SIZES MAY BE ACCOMMODATED, CONSULT TYCO ELECTRONICS FOR APPROVAL.
- POCKET RECOMMENDATION: 1601424.
- MAINTAIN THICKNESS FOR THIS LENGTH AND COIN EDGES WITH NO BURRS.
- SPC DATA REQUIRED FOR THESE DIMENSIONS
- TERMINAL APPLICATION TO COMPLY WITH TYCO ELECTRONICS SPECIFICATION 114-13166 FIGURE 5. CONSULT TYCO ELECTRONICS ENGINEERING FOR CARRIER CUTOFF DIMENSIONS.



2-1601171-2  
PART NUMBER

THIS DRAWING IS A CONTROLLED DOCUMENT.		DIN MICHAEL S. FEJER 22OCT2002	Tyco Electronics Corporation Harrisburg, PA 17105-3608	
DIMENSIONS: INCHES		CHK GENE JACONO 22OCT2002	APPROVED GENE JACONO 22OCT2002	
TOLERANCES UNLESS OTHERWISE SPECIFIED:		NAME .059 X .032 OFFSET TAB STANDARD SIAMEZE TERMINAL		
0 PLC ± -	1 PLC ± -	PRODUCT SPEC 108-2085		
2 PLC ± .01[0.25]	3 PLC ± .005[0.13]	APPLICATION SPEC 5		
4 PLC ANGLES ± ± °		SIZE A1	CAGE CODE 00779	DRAWING NO 1601171
MATERIAL BRASS, FULL HARD	FINISH PRE-TIN PLATE	WEIGHT	SCALE 10:1	SHEET 1 OF 1
CUSTOMER DRAWING		REV F1		