



Chipsmall Limited consists of a professional team with an average of over 10 year of expertise in the distribution of electronic components. Based in Hongkong, we have already established firm and mutual-benefit business relationships with customers from,Europe,America and south Asia,supplying obsolete and hard-to-find components to meet their specific needs.

With the principle of “Quality Parts,Customers Priority,Honest Operation,and Considerate Service”,our business mainly focus on the distribution of electronic components. Line cards we deal with include Microchip,ALPS,ROHM,Xilinx,Pulse,ON,Everlight and Freescale. Main products comprise IC,Modules,Potentiometer,IC Socket,Relay,Connector.Our parts cover such applications as commercial,industrial, and automotives areas.

We are looking forward to setting up business relationship with you and hope to provide you with the best service and solution. Let us make a better world for our industry!



Contact us

Tel: +86-755-8981 8866 Fax: +86-755-8427 6832

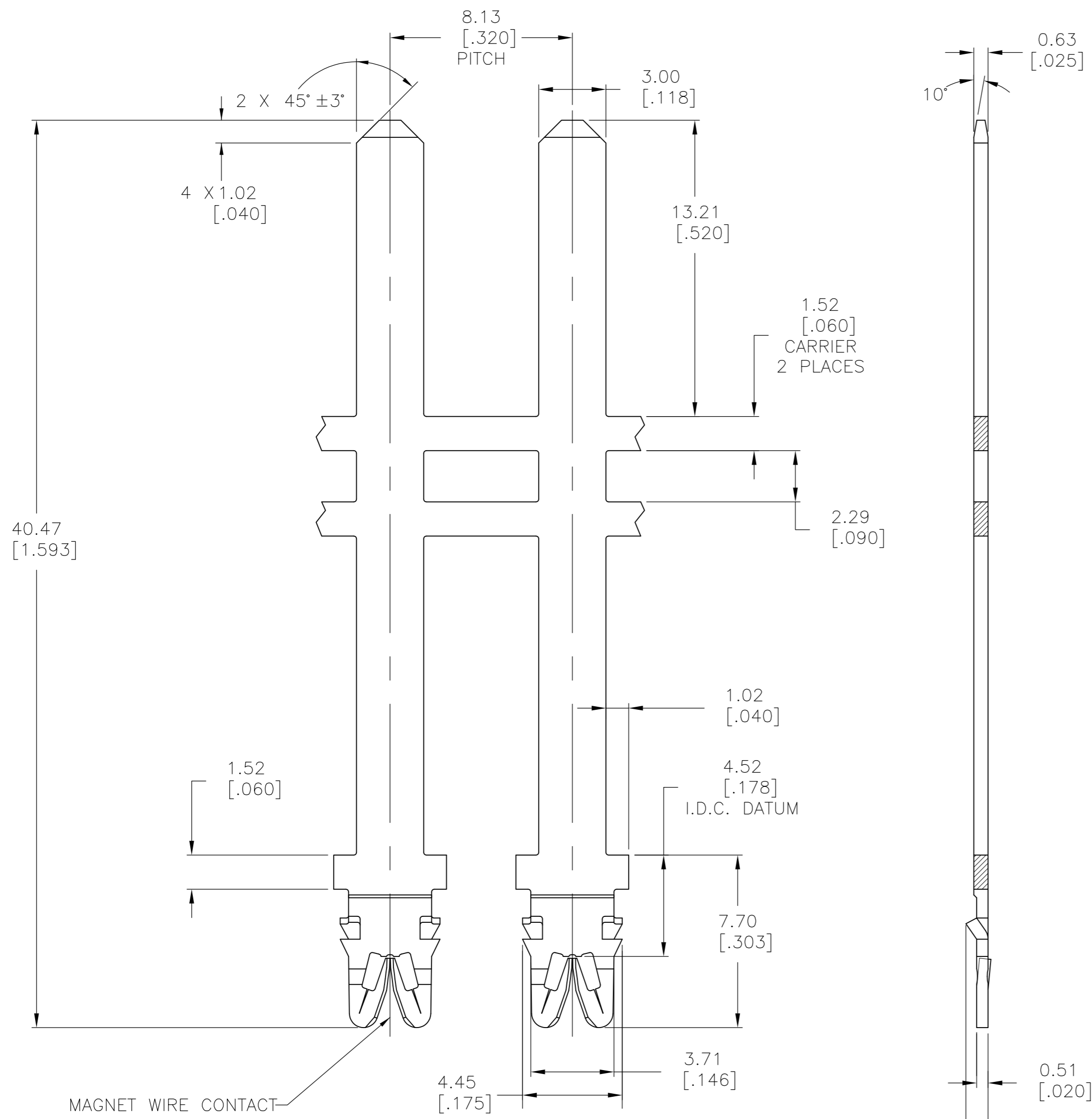
Email & Skype: info@chipsmall.com Web: www.chipsmall.com

Address: A1208, Overseas Decoration Building, #122 Zhenhua RD., Futian, Shenzhen, China

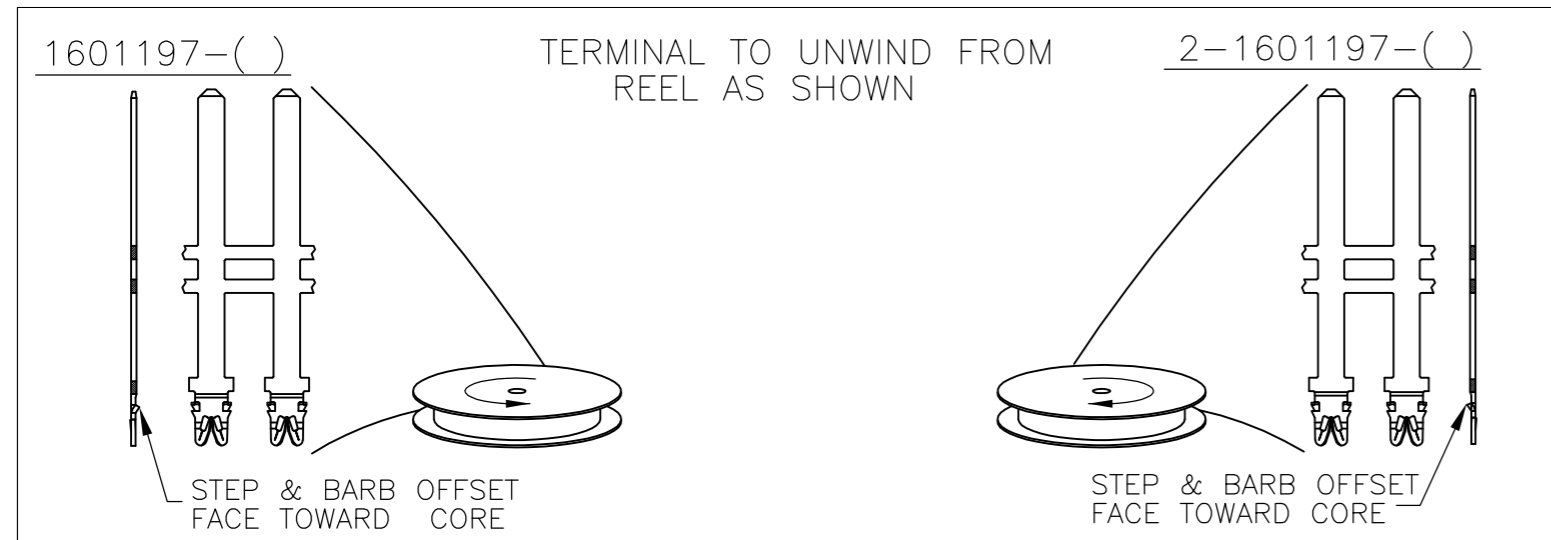
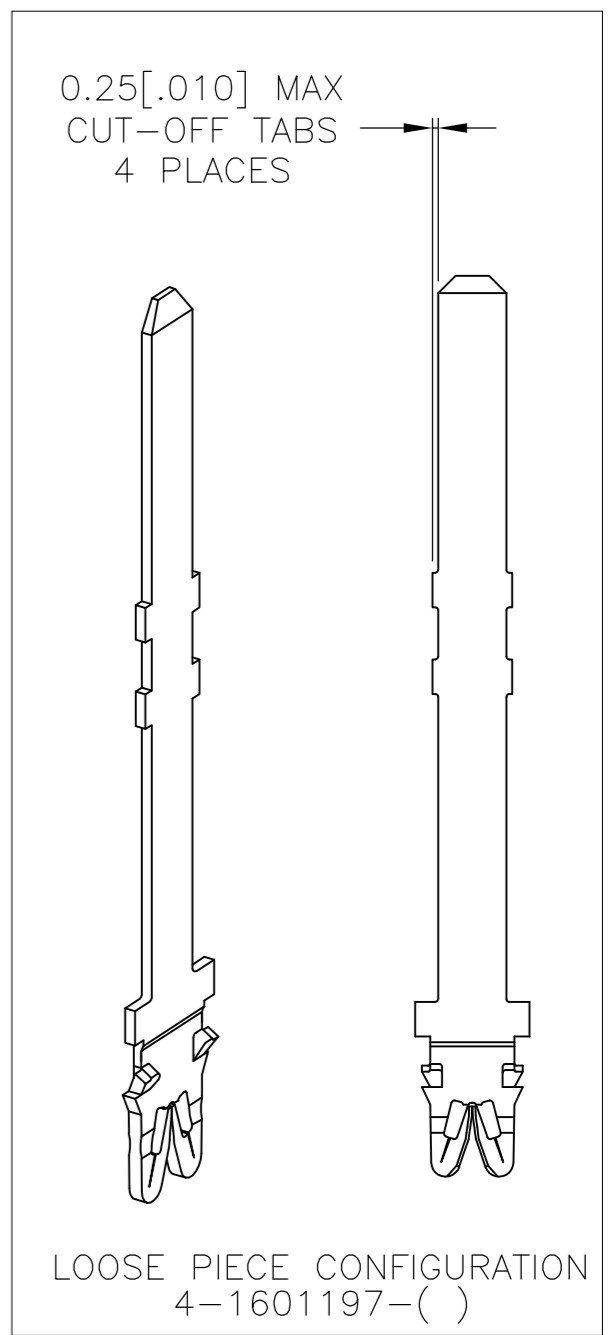


THIS DRAWING IS UNPUBLISHED. RELEASED FOR PUBLICATION
 © COPYRIGHT BY TYCO ELECTRONICS CORPORATION. ALL RIGHTS RESERVED.

LOC		DIST		REVISIONS			
P	LTR	DESCRIPTION		DATE	DWN	APVD	
		C2		REVISED PER ECR-08-000810	22JAN08	HMR	GJ



- 1 SPECIFICATIONS: MAGNET WIRE 34#-18# AWG 0.16-0.40 [.006-.040]Inch DIA COPPER.
- 2 POCKET RECOMMENDATION: 1601474
- 3 PRELIMINARY - NOT FOR PRODUCTION.
- 4 TERMINAL APPLICATION TO COMPLY WITH TYCO ELECTRONICS SPECIFICATION 114-13166 FIGURE 7.



PRE TIN PLATE	4-1601197-2
PRE TIN PLATE	2-1601197-2
PRE TIN PLATE	3 1601197-2
FINISH	PART NUMBER

THIS DRAWING IS A CONTROLLED DOCUMENT.		DWN	02JUN2004	Tyco Electronics Corporation	
MICHAEL S. FEHER		CHK	02JUN2004	Harrisburg, PA 17105-3608	
GENE JACONO		APVD	02JUN2004	NAME	
GENE JACONO		PRODUCT SPEC		STANDARD RANGE WIRE TO .118 X .025 MULTI-BARB SIAMEZE TERMINAL	
108-2085		APPLICATION SPEC		SIZE	
-		4		CAGE CODE	
MATERIAL		FINISH		DRAWING NO	
BRASS FULL HARD		SEE TABLE		A2 00779	
CUSTOMER DRAWING		WEIGHT		SCALE	
-		-		6:1	
SHEET		REV		RESTRICTED TO	
1 OF 1		C2		-	