



Chipsmall Limited consists of a professional team with an average of over 10 year of expertise in the distribution of electronic components. Based in Hongkong, we have already established firm and mutual-benefit business relationships with customers from,Europe,America and south Asia,supplying obsolete and hard-to-find components to meet their specific needs.

With the principle of "Quality Parts,Customers Priority,Honest Operation,and Considerate Service",our business mainly focus on the distribution of electronic components. Line cards we deal with include Microchip,ALPS,ROHM,Xilinx,Pulse,ON,Everlight and Freescale. Main products comprise IC,Modules,Potentiometer,IC Socket,Relay,Connector.Our parts cover such applications as commercial,industrial, and automotives areas.

We are looking forward to setting up business relationship with you and hope to provide you with the best service and solution. Let us make a better world for our industry!



Contact us

Tel: +86-755-8981 8866 Fax: +86-755-8427 6832

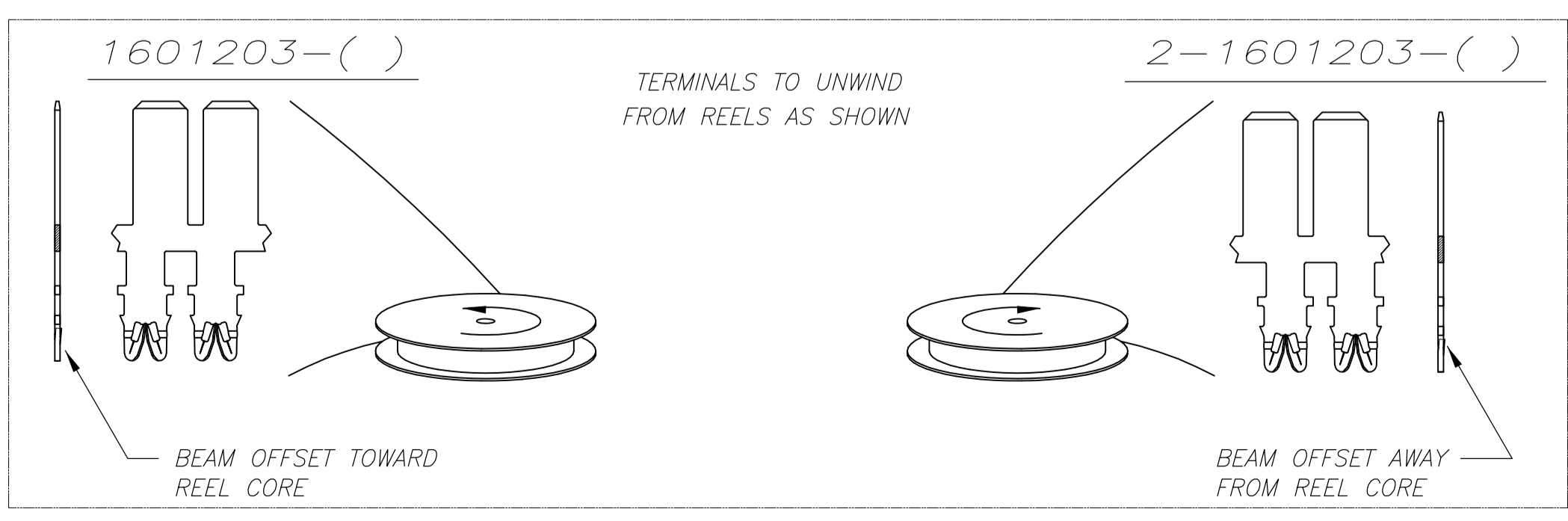
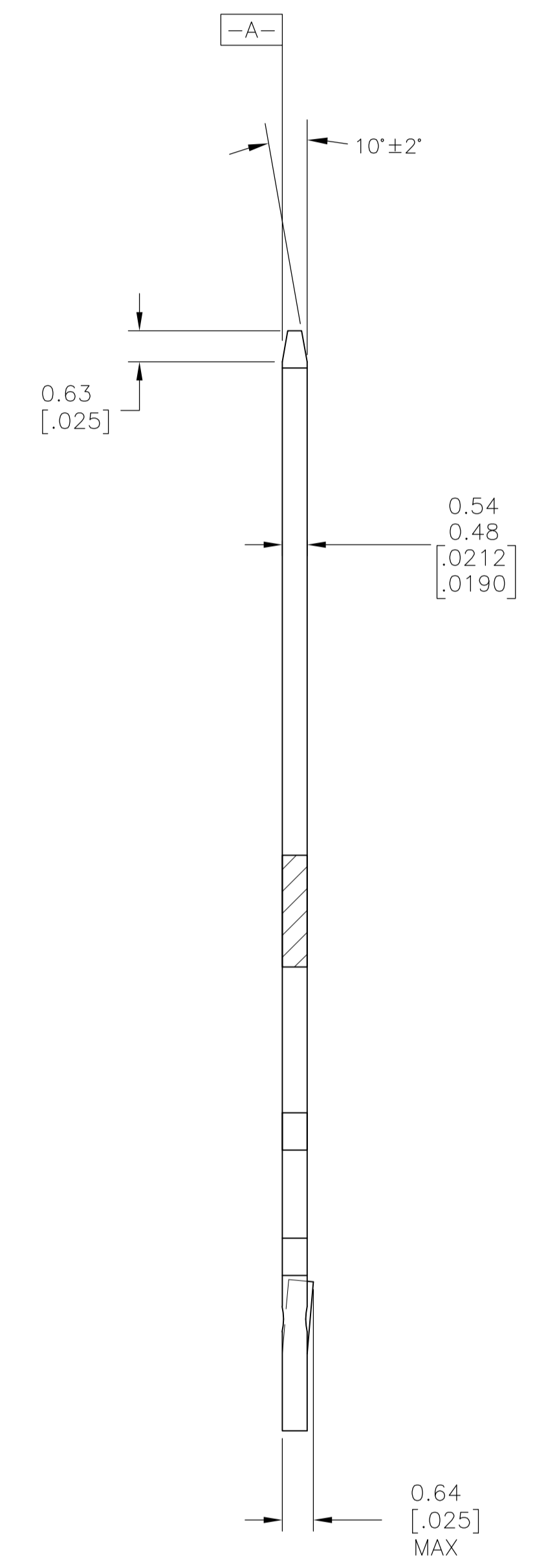
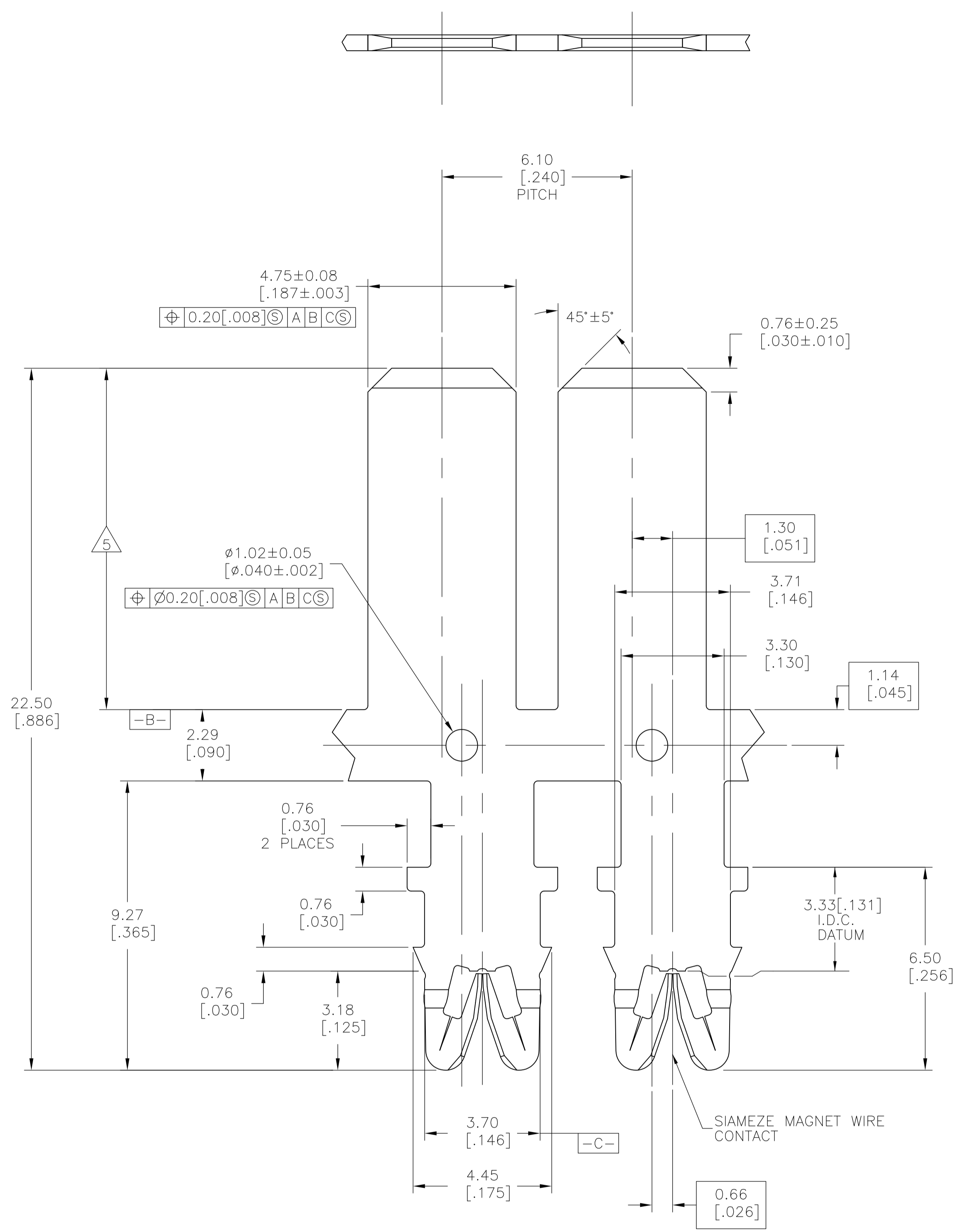
Email & Skype: info@chipsmall.com Web: www.chipsmall.com

Address: A1208, Overseas Decoration Building, #122 Zhenhua RD., Futian, Shenzhen, China



REVISIONS					
P	LTR	DESCRIPTION	DATE	DWN	APVD
A3	REVISED PER	ECR-16-014661	26OCT2016	JH	TIM

- 1 SPECIFICATION: WIRE RANGE; #18-#34 AWG. 0.16-1.02 DIA [.006-.040] mm. COPPER MAGNET WIRE.
- 2 POCKET RECOMMENDATION: 1601424.
- 3 TERMINAL APPLICATION TO COMPLY WITH TYCO ELECTRONICS SPECIFICATION 114-13166. CONSULT PRODUCT ENGINEERING FOR PROPER INSERTION DEPTH.
- 4 POST PLATED 2 - 3.8 MICRONS TIN OVER 2.5 MICRONS MIN COPPER.
- 5 THIS LENGTH IS SELECTIVELY POST PLATED WITH 2-3.8 MICRONS SILVER OVER 1.25 MICRONS MIN NICKEL. SILVER MAY EXTEND ONTO CARRIER. BALANCE OF TERMINAL IS MICKEL PLATED ONLY.
- 6 PRELIMINARY - NOT FOR PRODUCTION.



5	2-1601203-3
4	2-1601203-2
4	1601203-2
FINISH	PART NUMBER

THIS DRAWING IS A CONTROLLED DOCUMENT.

DIMENSIONS: mm [INCHES]	TOLERANCES UNLESS OTHERWISE SPECIFIED:	DIN M.S. FEHER 05OCT2004	APVD G. JACONO 05OCT2004	NAME
0 PLC ± -	1 PLC ± -	2 PLC ± 0.13[.005]	3 PLC ± -	4 PLC ± -
ANGLES ± °				
MATERIAL FULL HARD BRASS	FINISH SEE TABLE	WEIGHT 0.000000	A1 00779	1601203
CUSTOMER DRAWING		SCALE 11:1	SHEET 1 OF 1	REV A3

STE TE Connectivity

STANDARD RANGE WIRE TO .187 [4.75] X .020 [0.51]. OFFSET TAB SIAMEZE TERMINAL.