



Chipsmall Limited consists of a professional team with an average of over 10 year of expertise in the distribution of electronic components. Based in Hongkong, we have already established firm and mutual-benefit business relationships with customers from,Europe,America and south Asia,supplying obsolete and hard-to-find components to meet their specific needs.

With the principle of “Quality Parts,Customers Priority,Honest Operation,and Considerate Service”,our business mainly focus on the distribution of electronic components. Line cards we deal with include Microchip,ALPS,ROHM,Xilinx,Pulse,ON,Everlight and Freescale. Main products comprise IC,Modules,Potentiometer,IC Socket,Relay,Connector.Our parts cover such applications as commercial,industrial, and automotives areas.

We are looking forward to setting up business relationship with you and hope to provide you with the best service and solution. Let us make a better world for our industry!



Contact us

Tel: +86-755-8981 8866 Fax: +86-755-8427 6832

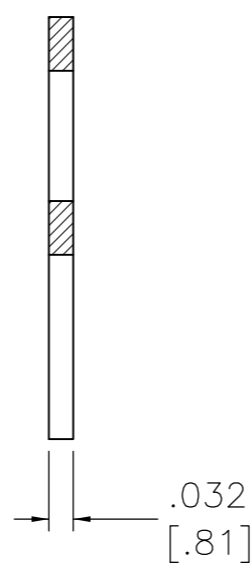
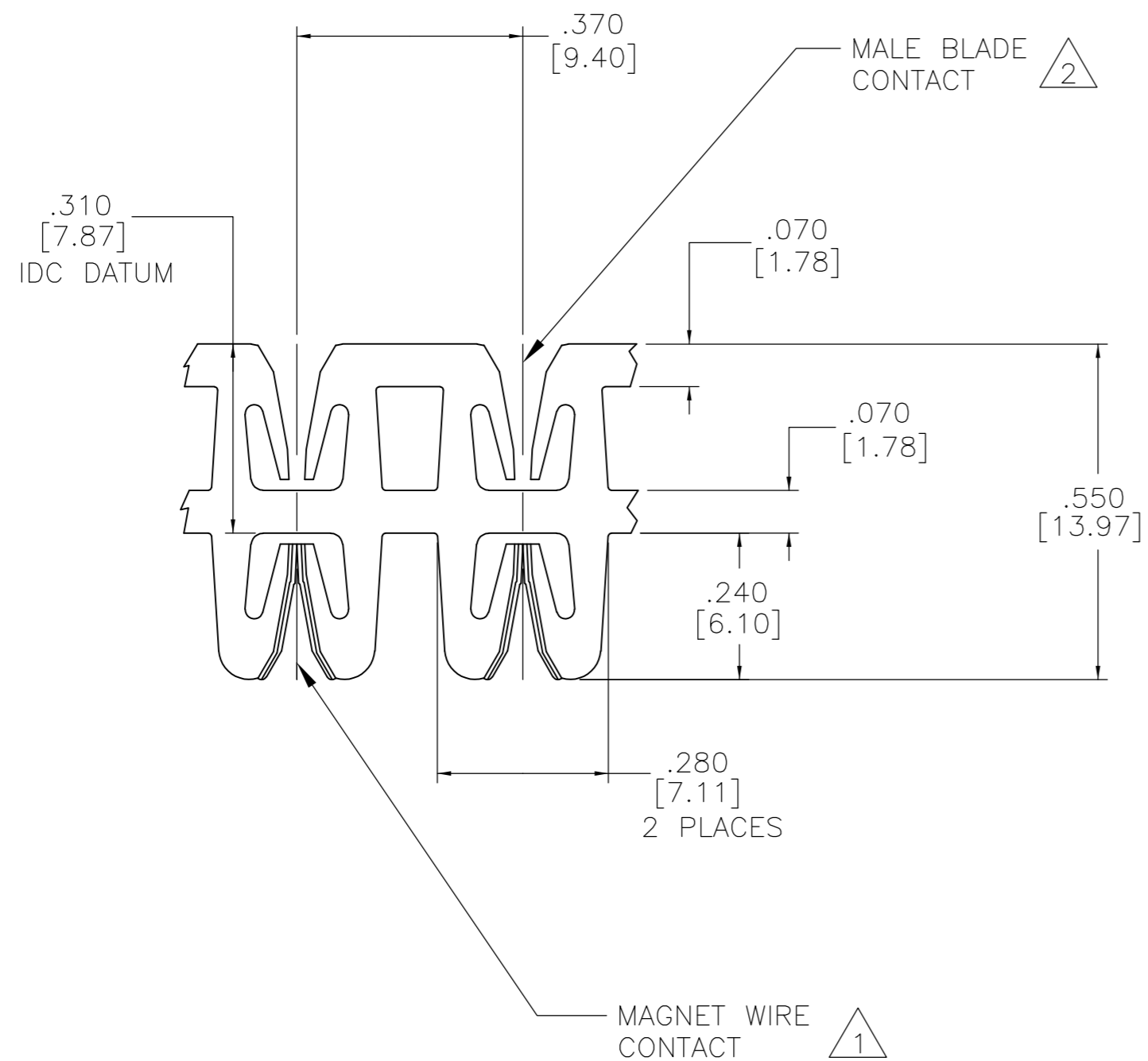
Email & Skype: info@chipsmall.com Web: www.chipsmall.com

Address: A1208, Overseas Decoration Building, #122 Zhenhua RD., Futian, Shenzhen, China

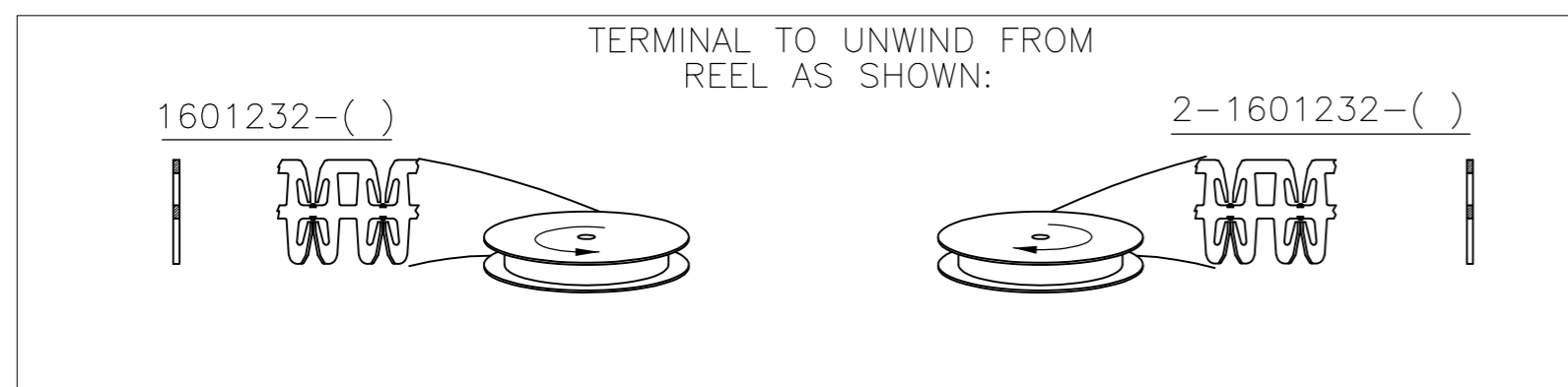
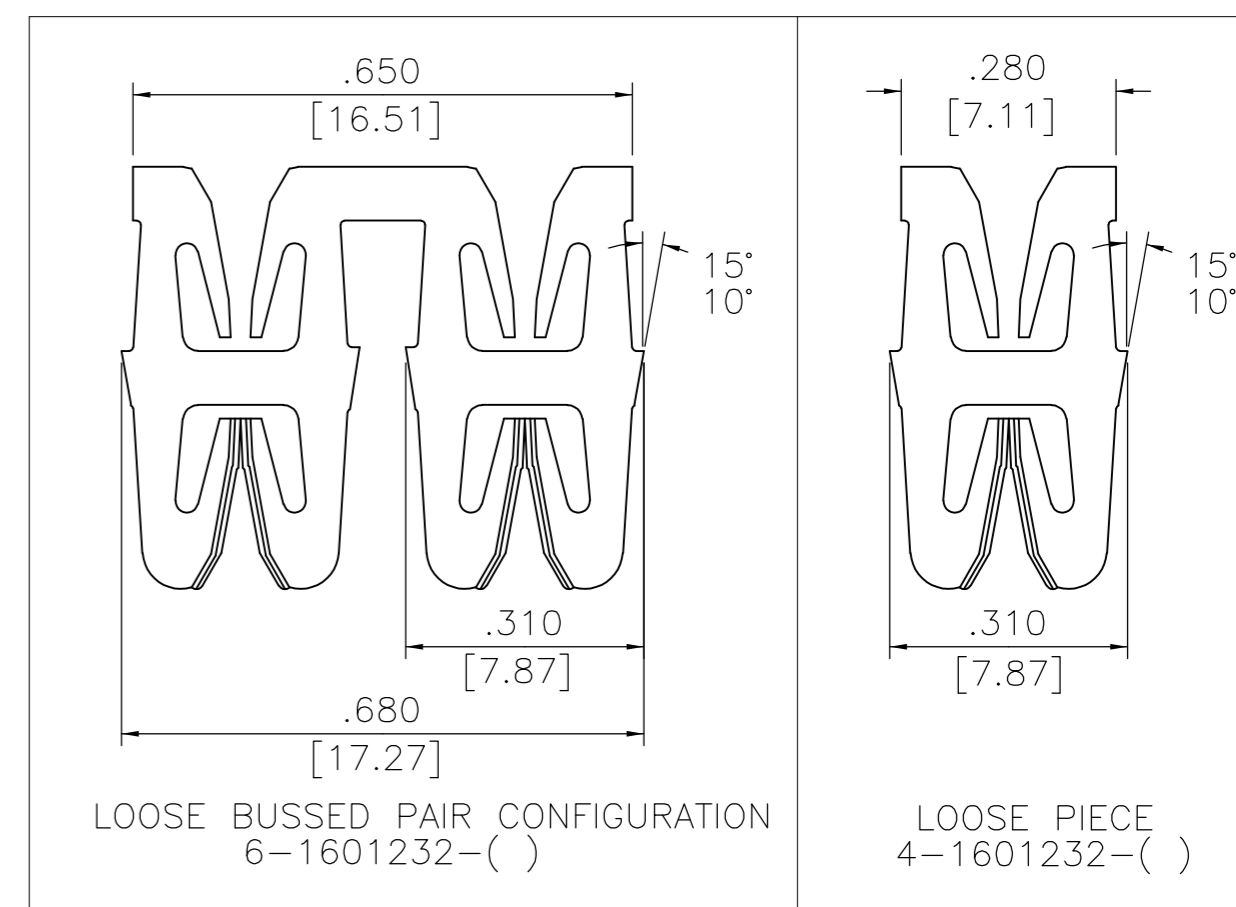


THIS DRAWING IS UNPUBLISHED. RELEASED FOR PUBLICATION
 © COPYRIGHT BY TYCO ELECTRONICS CORPORATION. ALL RIGHTS RESERVED.

LOC		DIST		REVISIONS			
P	LTR	DESCRIPTION		DATE	DWN	APVD	
	A2	REVISED PER ECR-07-022971		28SEP07	JR	GJ	



- 1 SPECIFICATION MAGNET WIRE:
#12-#23 AWG, .022-.081 [0.56-2.06mm] DIA COPPER.
- 2 SPECIFICATION MALE BLADE: .031-.033 [0.79-0.84mm] THICK HAVING A 10° X .030 LONG SWAGE AT THE END. BLADE TO BE .100 [2.5mm] MINIMUM WIDTH AND EXCEPT FOR THE SWAGE, HAVE A UNIFORM THICKNESS WITHOUT A HOLE OR DIMPLE.
- 3 POCKET RECOMMENDATION: 1601436.
- 4 TERMINAL APPLICATION TO COMPLY WITH TYCO ELECTRONICS SPECIFICATION 114-13210, FIG 5.
- 5 POST TIN PLATE OVER NICKEL UNDERPLATE.
- 6 PRELIMINARY - NOT FOR PRODUCTION.



6	4-1601232-2
	2-1601232-2
	1601232-2
	PART NUMBER

THIS DRAWING IS A CONTROLLED DOCUMENT.		DWN MICHAEL S. FEHER 29AUG2006	Tyco Electronics Corporation Harrisburg, PA 17105-3608	
DIMENSIONS: INCHES [mm]		CHK GENE JACONO 29AUG2006	NAME MEDIUM RANGE WIRE TO BLADE SIAMEZE TERMINAL	
TOLERANCES UNLESS OTHERWISE SPECIFIED: 0 PLC ± - 1 PLC ± - 2 PLC ± .01[0.25] 3 PLC ± .005[0.13] 4 PLC ± - ANGLES ± 2°		APVD GENE JACONO 29AUG2006	PRODUCT SPEC 108-2239	
MATERIAL BRASS, SPRING HARD		FINISH 5	WEIGHT -	RESTRICTED TO -
		APPLICATION SPEC 4	SIZE A2	CAGE CODE 00779
		CUSTOMER DRAWING	DRAWING NO C=1601232	SCALE 4:1
			SHEET 1 of 1	REV A2