



Chipsmall Limited consists of a professional team with an average of over 10 year of expertise in the distribution of electronic components. Based in Hongkong, we have already established firm and mutual-benefit business relationships with customers from,Europe,America and south Asia,supplying obsolete and hard-to-find components to meet their specific needs.

With the principle of "Quality Parts,Customers Priority,Honest Operation,and Considerate Service",our business mainly focus on the distribution of electronic components. Line cards we deal with include Microchip,ALPS,ROHM,Xilinx,Pulse,ON,Everlight and Freescale. Main products comprise IC,Modules,Potentiometer,IC Socket,Relay,Connector.Our parts cover such applications as commercial,industrial, and automotives areas.

We are looking forward to setting up business relationship with you and hope to provide you with the best service and solution. Let us make a better world for our industry!



Contact us

Tel: +86-755-8981 8866 Fax: +86-755-8427 6832

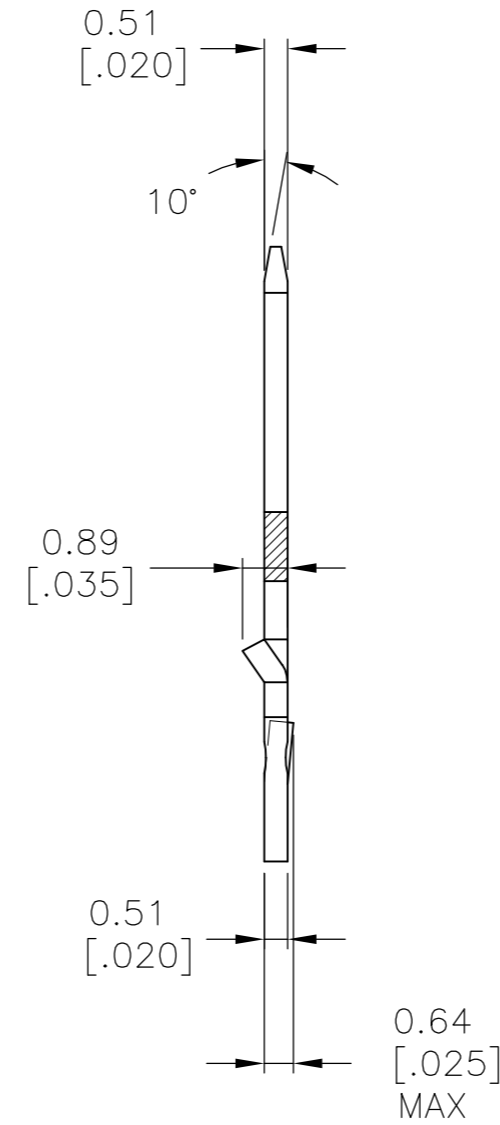
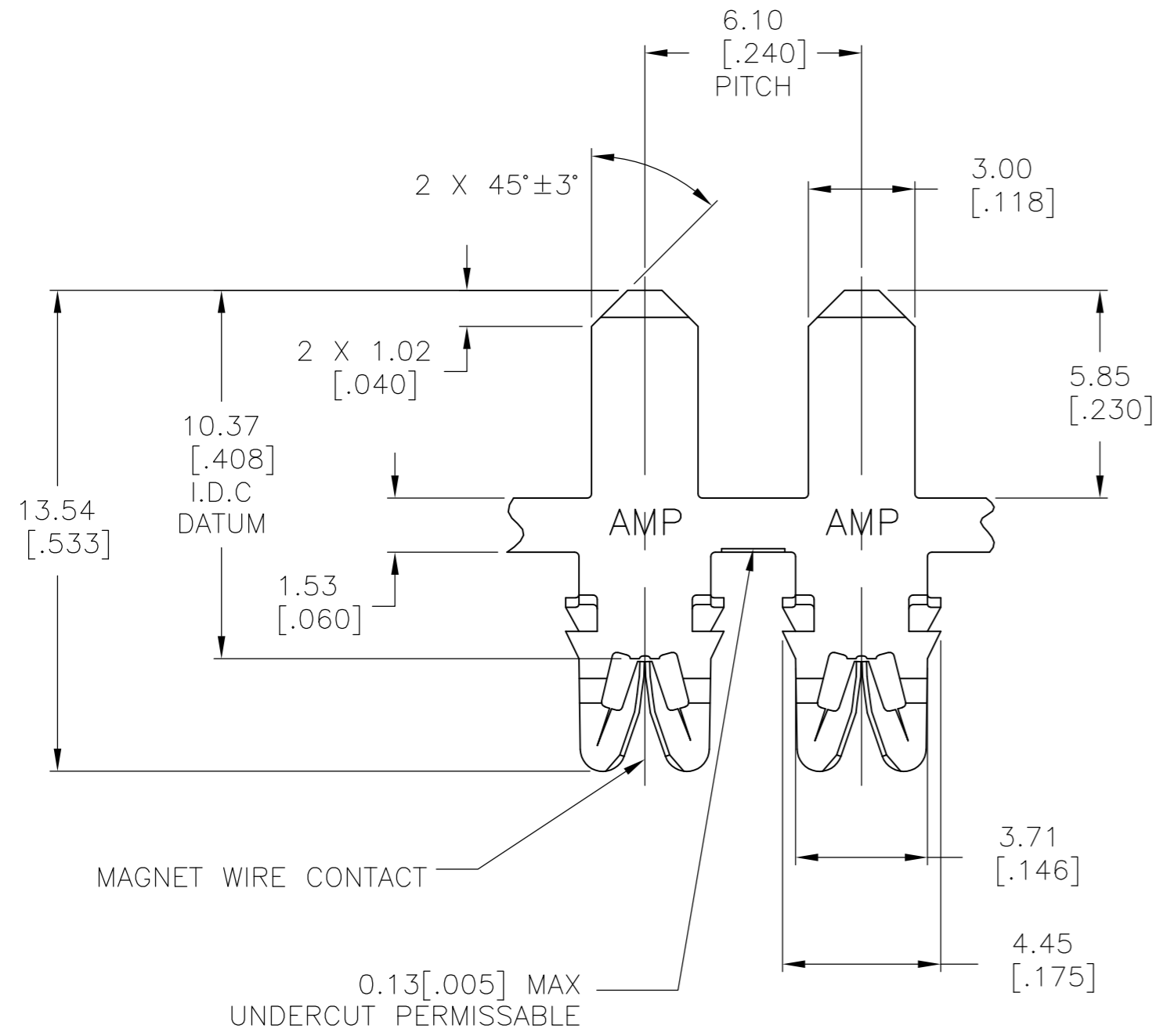
Email & Skype: info@chipsmall.com Web: www.chipsmall.com

Address: A1208, Overseas Decoration Building, #122 Zhenhua RD., Futian, Shenzhen, China

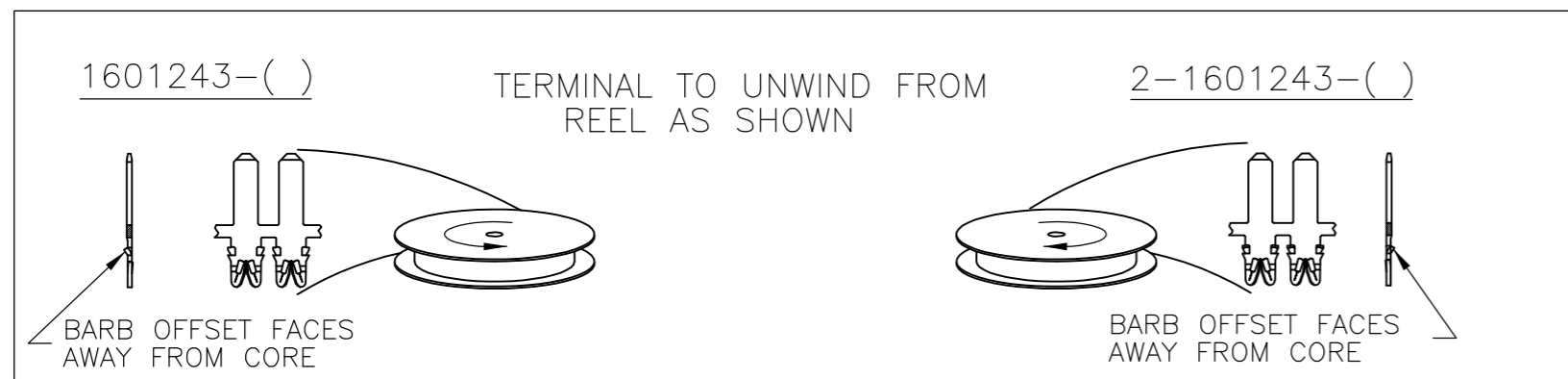
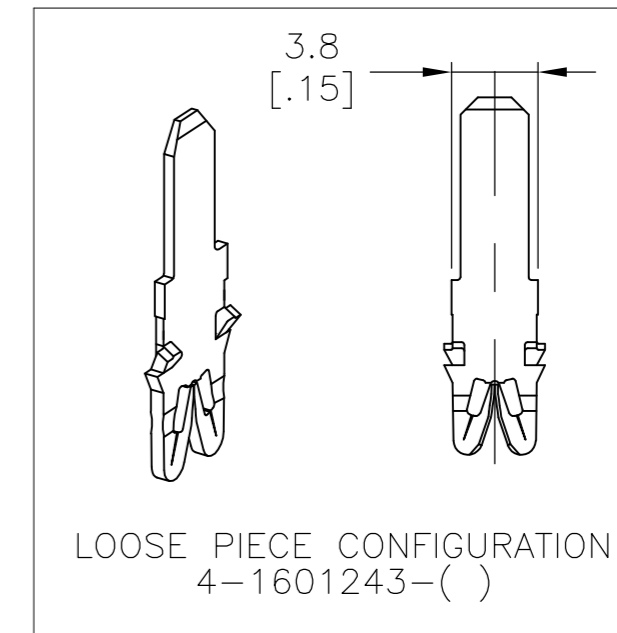


THIS DRAWING IS UNPUBLISHED. RELEASED FOR PUBLICATION
 © COPYRIGHT - By - ALL RIGHTS RESERVED.

LOC	DIST	REVISIONS			
P	LTR	DESCRIPTION	DATE	DWN	APVD
AF	50				
		A4 REVISED PER ECR-15-011053	07AUG2015	GRZ	JL



- 1 SPECIFICATIONS: MAGNET WIRE #18 - #34 AWG .006"(0.16mm) - .040"(1.02mm) DIA COPPER.
- 2 POCKET RECOMMENDATION: FOR POCKET DESIGN SEE #1601475
- 3 TERMINAL APPLICATION TO COMPLY WITH TYCO ELECTRONICS SPECIFICATION 114-13166 FIGURE 12.
- 4 TWO TERMINALS SHOWN FOR ILLUSTRATION PURPOSES ONLY.



	POST TIN PLATED	4-1601243-2
	POST TIN PLATED	2-1601243-2
OBSOLETE	POST TIN PLATED	1601243-2
	FINISH	PART NUMBER

THIS DRAWING IS A CONTROLLED DOCUMENT.		DWN RAGHAVENDRA 03SEP2007	TE Connectivity	
DIMENSIONS: mm [INCHES]		CHK G JACONO 03SEP2007		
TOLERANCES UNLESS OTHERWISE SPECIFIED:		APVD G JACONO 03SEP2007	NAME	
0 PLC ± - 1 PLC ± 0.25 [.010] 2 PLC ± 0.13 [.005] 3 PLC ± - 4 PLC ± - ANGLES ± -		PRODUCT SPEC 108-2085	STANDARD RANGE WIRE TO .118 X .020 MULTI-BARB SIAMEZE TERMINAL	
MATERIAL BRASS, H04		FINISH SEE TABLE	WEIGHT -	SIZE A2
			CAGE CODE 00779	DRAWING NO C=1601243
			CUSTOMER DRAWING	RESTRICTED TO -
			SCALE 6:1	SHEET 1 OF 1
				REV A4