



Chipsmall Limited consists of a professional team with an average of over 10 year of expertise in the distribution of electronic components. Based in Hongkong, we have already established firm and mutual-benefit business relationships with customers from,Europe,America and south Asia,supplying obsolete and hard-to-find components to meet their specific needs.

With the principle of “Quality Parts,Customers Priority,Honest Operation,and Considerate Service”,our business mainly focus on the distribution of electronic components. Line cards we deal with include Microchip,ALPS,ROHM,Xilinx,Pulse,ON,Everlight and Freescale. Main products comprise IC,Modules,Potentiometer,IC Socket,Relay,Connector.Our parts cover such applications as commercial,industrial, and automotives areas.

We are looking forward to setting up business relationship with you and hope to provide you with the best service and solution. Let us make a better world for our industry!



## Contact us

Tel: +86-755-8981 8866 Fax: +86-755-8427 6832

Email & Skype: info@chipsmall.com Web: www.chipsmall.com

Address: A1208, Overseas Decoration Building, #122 Zhenhua RD., Futian, Shenzhen, China



4

3

2

1

THIS DRAWING IS UNPUBLISHED.

RELEASED FOR PUBLICATION

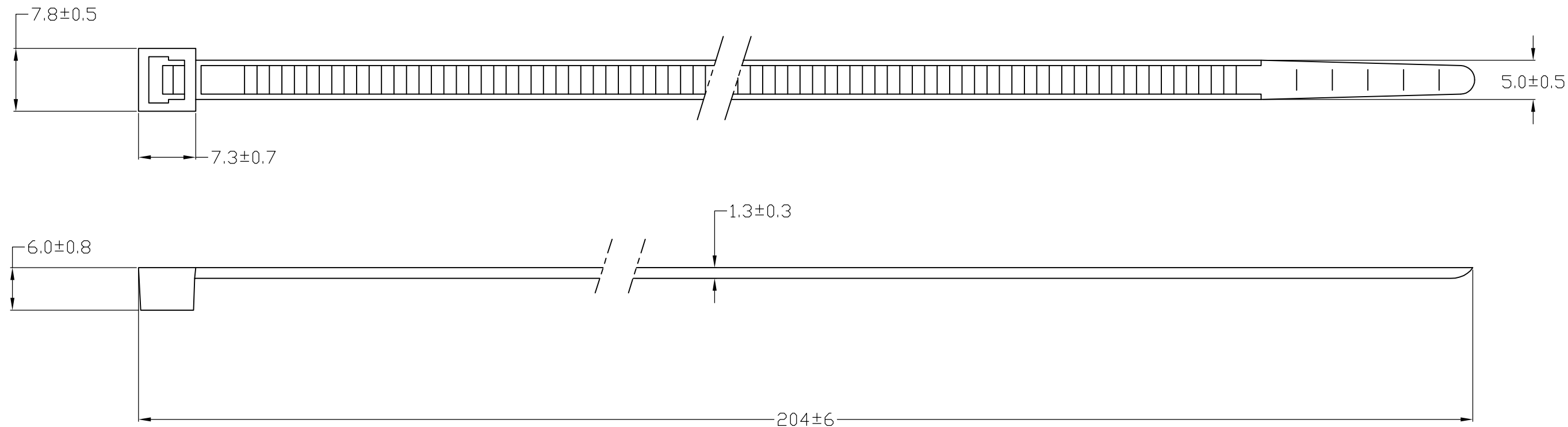
© COPYRIGHT - By -

ALL RIGHTS RESERVED.

LOC	DIST	REVISIONS					
		P	LTR	DESCRIPTION	DATE	DWN	APVD
-	-	C		VENDOR CHANGE	20MAR2012	SP	RP

NOTES:

1. RANGE:  $\phi 50$  MAX (BUNDLE SIZE)
2. MIN. TENSILE STRENGTH: 220 N.



1000	BLACK	POLYAMIDE 6.6	4-160975-2
1000	NATURAL	POLYAMIDE 6.6	4-160975-1
100	BLACK	POLYAMIDE 6.6	2-160975-2
100	NATURAL	POLYAMIDE 6.6	2-160975-1
QTY	FINISH	MATERIAL	PART NUMBER

THIS DRAWING IS A CONTROLLED DOCUMENT.		DWN J.V.D.HEIJDEN 27FEB92	<b>STE</b> TE Connectivity	
DIMENSIONS: mm		CHK MvDRIEL 18FEB02		
TOLERANCES UNLESS OTHERWISE SPECIFIED:		APVD MvDRIEL 18FEB02	NAME CABLE TY	
0 PLC ± -		PRODUCT SPEC	SIZE	
1 PLC ± -		APPLICATION SPEC	CAGE CODE	
2 PLC ± -		WEIGHT	DRAWING NO	
3 PLC ± -		CUSTOMER DRAWING	RESTRICTED TO	
4 PLC ± -			A300779 C-160975	
ANGLES ± -			SCALE	
FINISH			SHEET	
SEE TABLE			1 of 1	
			REV	
			C	