



Chipsmall Limited consists of a professional team with an average of over 10 year of expertise in the distribution of electronic components. Based in Hongkong, we have already established firm and mutual-benefit business relationships with customers from,Europe,America and south Asia,supplying obsolete and hard-to-find components to meet their specific needs.

With the principle of "Quality Parts,Customers Priority,Honest Operation,and Considerate Service",our business mainly focus on the distribution of electronic components. Line cards we deal with include Microchip,ALPS,ROHM,Xilinx,Pulse,ON,Everlight and Freescale. Main products comprise IC,Modules,Potentiometer,IC Socket,Relay,Connector.Our parts cover such applications as commercial,industrial, and automotives areas.

We are looking forward to setting up business relationship with you and hope to provide you with the best service and solution. Let us make a better world for our industry!



## Contact us

Tel: +86-755-8981 8866 Fax: +86-755-8427 6832

Email & Skype: info@chipsmall.com Web: www.chipsmall.com

Address: A1208, Overseas Decoration Building, #122 Zhenhua RD., Futian, Shenzhen, China



4

3

2

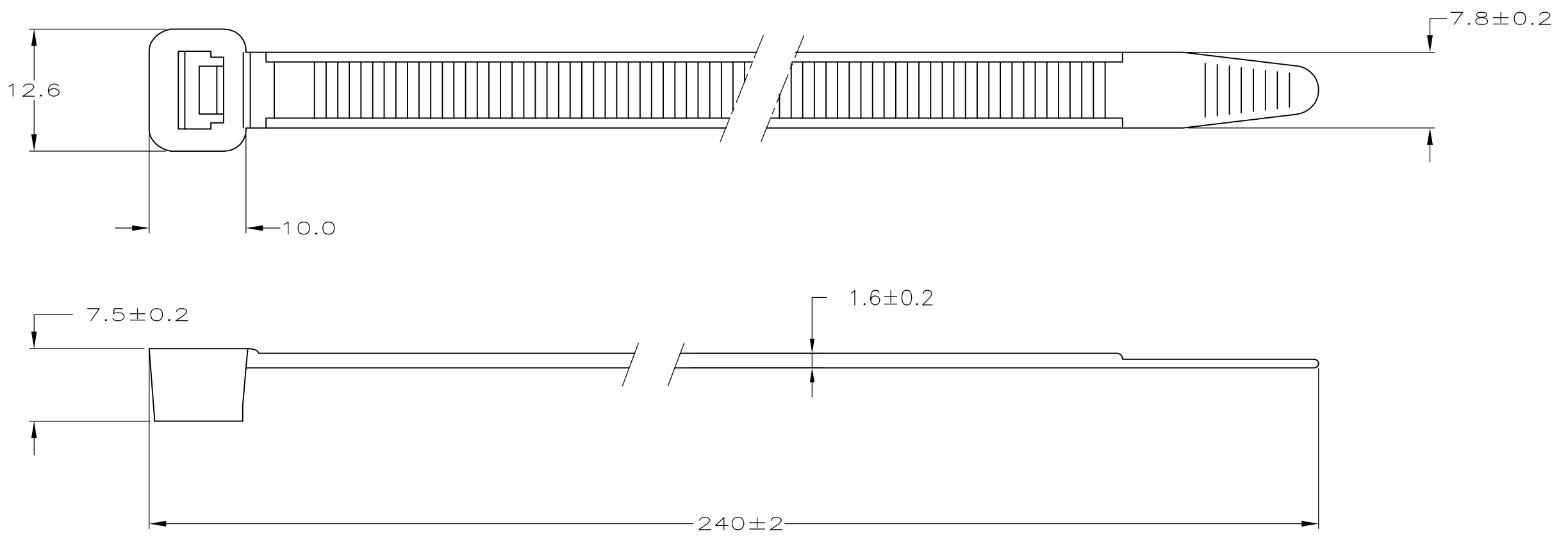
1

THIS DRAWING IS UNPUBLISHED. RELEASED FOR PUBLICATION  
 © COPYRIGHT - By - ALL RIGHTS RESERVED.

LOC	DIST	REVISIONS				
P	LTR	DESCRIPTION	DATE	DWN	APVD	
H	-	C	VENDOR CHANGE; DIMENSION CHANGE ROLL BACK	30DEC2012	SP	RP

NOTES:

- 1 RANGE:  $\phi 63$  MAX.
- 2 MIN. TENSILE STRENGTH 550N.
- $\triangle 3$  OBSOLETE



100	BLACK	POLYAMIDE 6.6	2-160981-2
100	NATURAL	POLYAMIDE 6.6	$\triangle 3$ 2-160981-1
QTY	FINISH	MATERIAL	PART NUMBER

THIS DRAWING IS A CONTROLLED DOCUMENT.		DWN	J.V.D.HEIJDEN.	27-02-92	<b>STE</b> TE Connectivity			
DIMENSIONS: mm		CHK	R.VOS.	-				
TOLERANCES UNLESS OTHERWISE SPECIFIED:		APVD	L.V.SOEST.	-	NAME			
0 PLC ± -		PRODUCT SPEC		-	CABLE TY.			
1 PLC ± 0.4		APPLICATION SPEC		-	SIZE	CAGE CODE	DRAWING NO	RESTRICTED TO
2 PLC ± -		MATERIAL		SEE TABLE	A3	00779	C-160981	-
3 PLC ± -		FINISH		SEE TABLE	CUSTOMER DRAWING			SCALE
4 PLC ± -		MATERIAL		SEE TABLE	SCALE			NTS
ANGLES ± -		MATERIAL		SEE TABLE	SHEET			1 OF 1
FINISH		MATERIAL		SEE TABLE	REV			C