



Chipsmall Limited consists of a professional team with an average of over 10 year of expertise in the distribution of electronic components. Based in Hongkong, we have already established firm and mutual-benefit business relationships with customers from,Europe,America and south Asia,supplying obsolete and hard-to-find components to meet their specific needs.

With the principle of “Quality Parts,Customers Priority,Honest Operation,and Considerate Service”,our business mainly focus on the distribution of electronic components. Line cards we deal with include Microchip,ALPS,ROHM,Xilinx,Pulse,ON,Everlight and Freescale. Main products comprise IC,Modules,Potentiometer,IC Socket,Relay,Connector.Our parts cover such applications as commercial,industrial, and automotives areas.

We are looking forward to setting up business relationship with you and hope to provide you with the best service and solution. Let us make a better world for our industry!



Contact us

Tel: +86-755-8981 8866 Fax: +86-755-8427 6832

Email & Skype: info@chipsmall.com Web: www.chipsmall.com

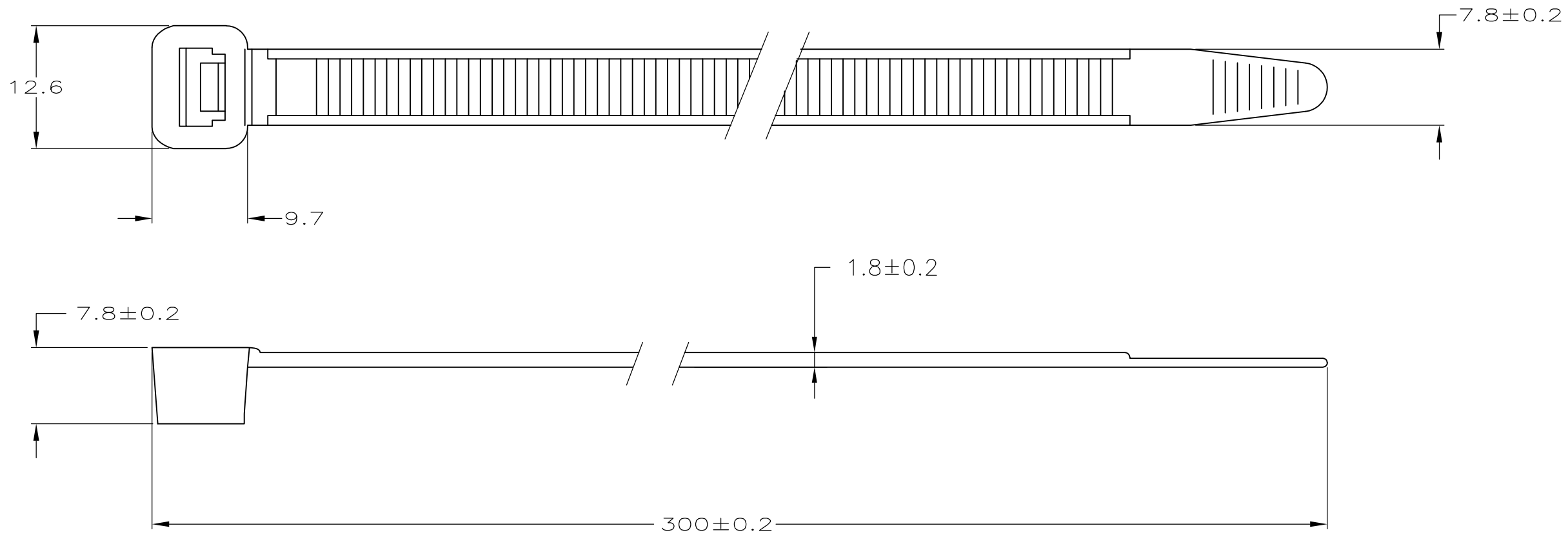
Address: A1208, Overseas Decoration Building, #122 Zhenhua RD., Futian, Shenzhen, China



THIS DRAWING IS UNPUBLISHED. RELEASED FOR PUBLICATION
 © COPYRIGHT - By - ALL RIGHTS RESERVED.

LOC		DIST		REVISIONS			
P	LTR	DESCRIPTION		DATE	DWN	APVD	
	C	VENDOR CHANGE; DIMENSION CHANGE ROLL BACK		21DEC2012	SP	RP	

NOTES:
 1 RANGE: Ø80 MAX.
 2 MIN. TENSILE STRENGTH 550N.



100	BLACK	POLYAMIDE 6.6	2-160982-2
100	NATURAL	POLYAMIDE 6.6	2-160982-1
QTY	FINISH	MATERIAL	PART NUMBER

THIS DRAWING IS A CONTROLLED DOCUMENT.		DWN J.V.D.HEIJDEN. 27-02-92	STE TE Connectivity	
DIMENSIONS: mm		CHK R.VOS.		
TOLERANCES UNLESS OTHERWISE SPECIFIED:		APVD L.V.SOEST.	NAME CABLE TY.	
0 PLC ± -		PRODUCT SPEC	SIZE	
1 PLC ± 0.4		APPLICATION SPEC	CAGE CODE	DRAWING NO
2 PLC ± -		WEIGHT	RESTRICTED TO	
3 PLC ± -		—	A3	00779
4 PLC ± -		—	C-160982	
ANGLES ± -		—	SCALE	SHEET
MATERIAL SEE TABLE	FINISH SEE TABLE	CUSTOMER DRAWING	NTS	1 OF 1
				REV C