



Chipsmall Limited consists of a professional team with an average of over 10 year of expertise in the distribution of electronic components. Based in Hongkong, we have already established firm and mutual-benefit business relationships with customers from,Europe,America and south Asia,supplying obsolete and hard-to-find components to meet their specific needs.

With the principle of “Quality Parts,Customers Priority,Honest Operation,and Considerate Service”,our business mainly focus on the distribution of electronic components. Line cards we deal with include Microchip,ALPS,ROHM,Xilinx,Pulse,ON,Everlight and Freescale. Main products comprise IC,Modules,Potentiometer,IC Socket,Relay,Connector.Our parts cover such applications as commercial,industrial, and automotives areas.

We are looking forward to setting up business relationship with you and hope to provide you with the best service and solution. Let us make a better world for our industry!



Contact us

Tel: +86-755-8981 8866 Fax: +86-755-8427 6832

Email & Skype: info@chipsmall.com Web: www.chipsmall.com

Address: A1208, Overseas Decoration Building, #122 Zhenhua RD., Futian, Shenzhen, China



THIS DRAWING IS UNPUBLISHED.

RELEASED FOR PUBLICATION

LOC

DIST

REVISIONS

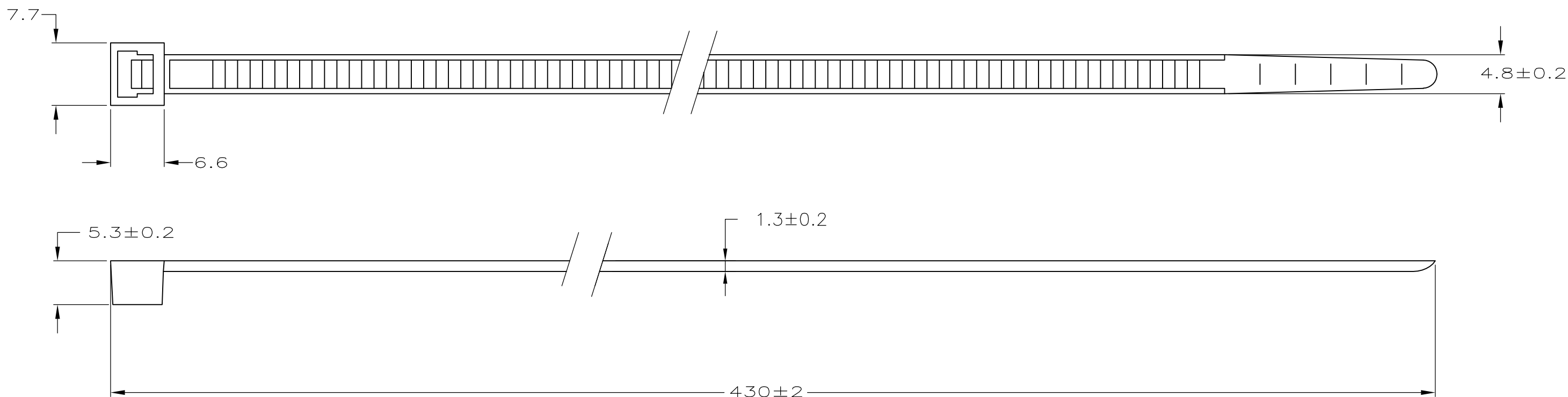
© COPYRIGHT - By -

ALL RIGHTS RESERVED.

P	LTR	DESCRIPTION	DATE	DWN	APVD
	C	VENDOR CHANGE; DIMENSION CHANGE ROLL BACK	21DEC2012	SP	RP

NOTES:

- 1 RANGE: $\phi 115$ MAX.
- 2 MIN. TENSILE STRENGTH 220N.



100	BLACK	POLYAMIDE 6.6	2-160995-2
100	NATURAL	POLYAMIDE 6.6	2-160995-1
QTY	FINISH	MATERIAL	PART NUMBER

THIS DRAWING IS A CONTROLLED DOCUMENT.		DWN J.V.D.HEIJDEN. 27-02-92	STE TE Connectivity	
DIMENSIONS: mm		CHK R.VOS.		
TOLERANCES UNLESS OTHERWISE SPECIFIED:		APVD L.V.SOEST.	PRODUCT SPEC	
0 PLC ± -		APPLICATION SPEC		
1 PLC ± 0.4		SIZE		
2 PLC ± -		CAGE CODE		
3 PLC ± -		DRAWING NO		
4 PLC ± -		RESTRICTED TO		
ANGLES ± -		A3 00779 C-160995		
MATERIAL SEE TABLE	FINISH SEE TABLE	WEIGHT -		
CUSTOMER DRAWING		SCALE NTS	SHEET 1 OF 1	REV C