



Chipsmall Limited consists of a professional team with an average of over 10 year of expertise in the distribution of electronic components. Based in Hongkong, we have already established firm and mutual-benefit business relationships with customers from,Europe,America and south Asia,supplying obsolete and hard-to-find components to meet their specific needs.

With the principle of “Quality Parts,Customers Priority,Honest Operation,and Considerate Service”,our business mainly focus on the distribution of electronic components. Line cards we deal with include Microchip,ALPS,ROHM,Xilinx,Pulse,ON,Everlight and Freescale. Main products comprise IC,Modules,Potentiometer,IC Socket,Relay,Connector.Our parts cover such applications as commercial,industrial, and automotives areas.

We are looking forward to setting up business relationship with you and hope to provide you with the best service and solution. Let us make a better world for our industry!



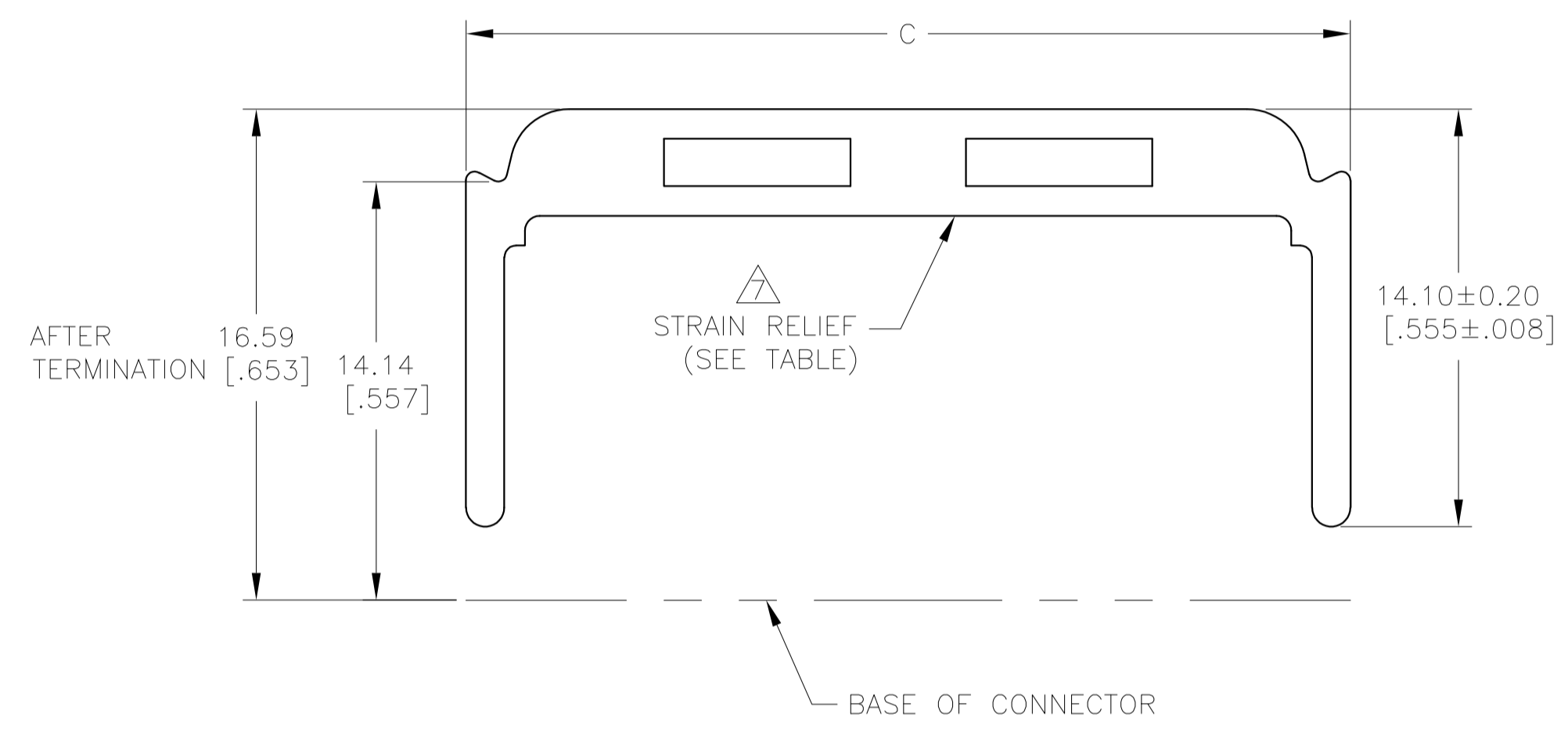
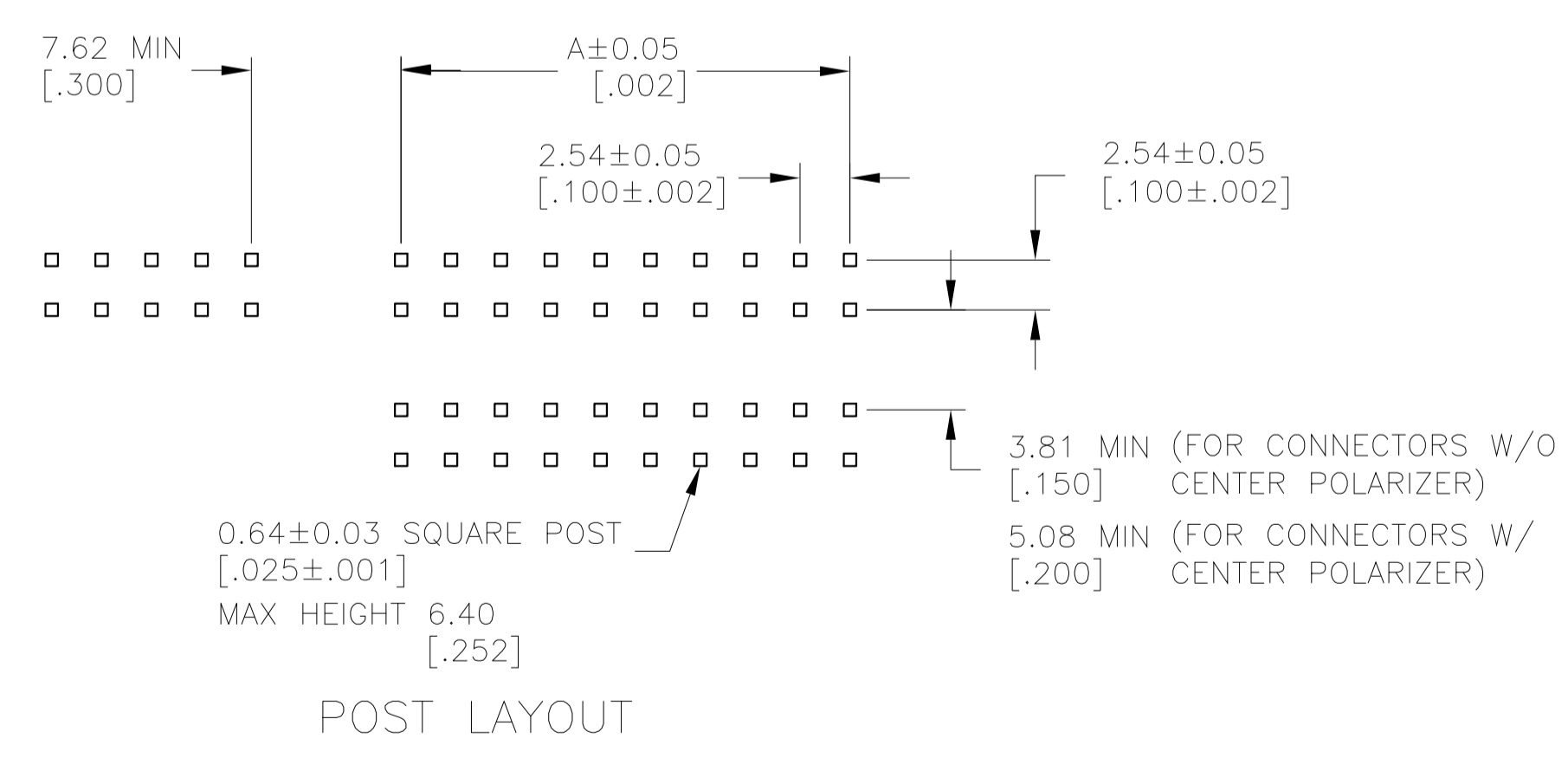
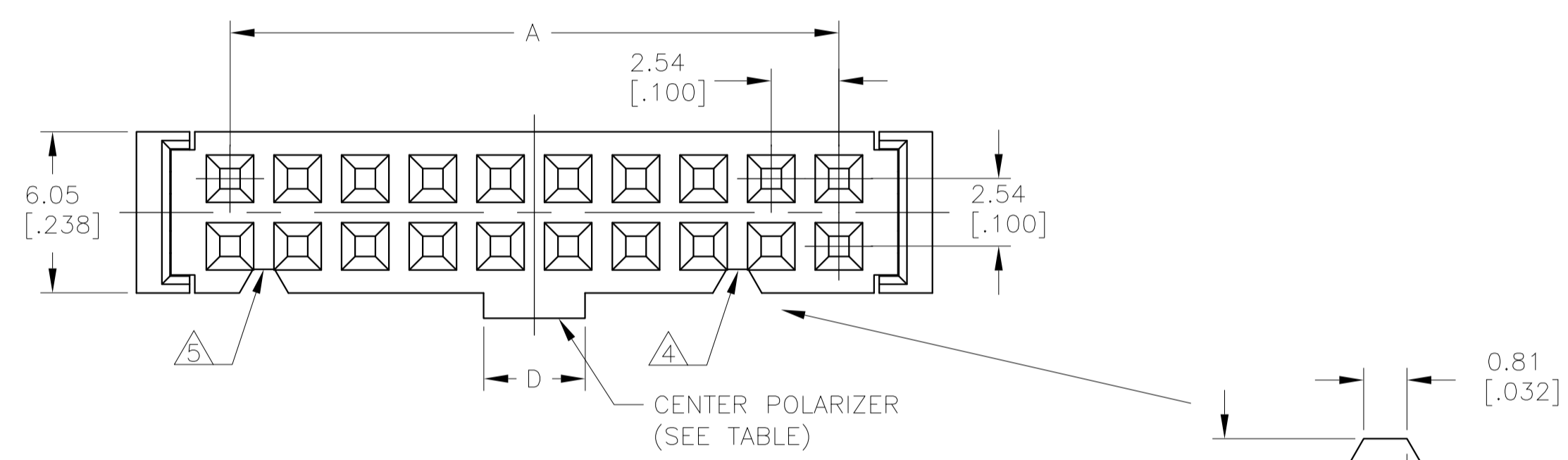
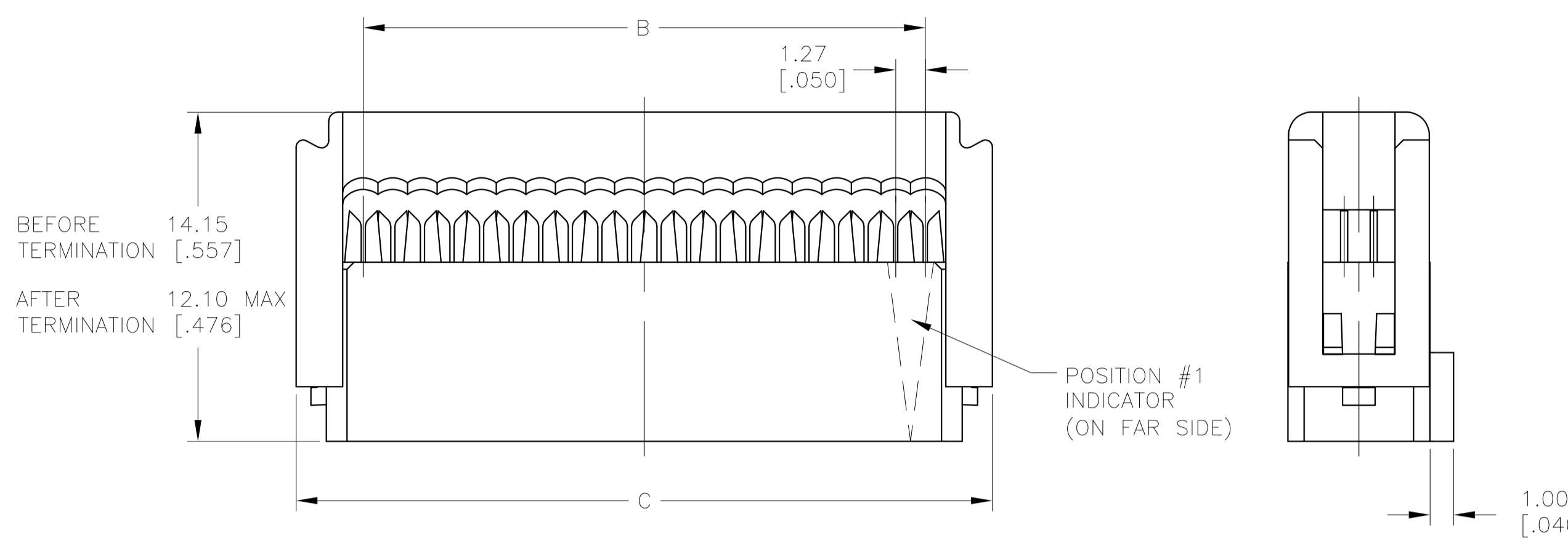
## Contact us

Tel: +86-755-8981 8866 Fax: +86-755-8427 6832

Email & Skype: info@chipsmall.com Web: www.chipsmall.com

Address: A1208, Overseas Decoration Building, #122 Zhenhua RD., Futian, Shenzhen, China





- 20 POSITION CONNECTOR ASSEMBLY SHOWN.
- MOLDED PARTS: THERMOPLASTIC, UL94V-0 RATED, COLOR BLUE. CONTACTS: BERYLLIUM COPPER.
- CONTACTS: 0.00076[.000030] MIN GOLD ON MATING AREA, 0.00254-0.00508[.000100-.000200] TIN OR GOLD FLASH ON TERMINATION END, ALL OVER 0.00127[.000050] MIN NICKEL ON ENTIRE CONTACT.
- POLARIZER FEATURE DOES NOT EXIST ON POSITION #1 END FOR 14 POSITION ASSEMBLIES AND SMALLER.
- POLARIZER FEATURE DOES NOT EXIST ON THIS END FOR 4 & 6 POSITION ASSEMBLIES.
- FOR TERMINATION OF 26 OR 28 AWG STRANDED OR SOLID PVC INSULATED FLAT RIBBON CABLE. SEE TYCO ELECTRONICS DRAWINGS 57034 (26 AWG) OR 57040 (28 AWG) FOR DETAILS.
- STRAIN RELIEF PACKAGED SEPARATELY AND SHIPPED WITH ASSEMBLY.

	YES	YES	3.80[.150]	85.78[3.377]	80.01[3.150]	78.74[3.100]	64	622-6441LF	3-1658527-2
	NO	YES	3.80[.150]	85.78[3.377]	80.01[3.150]	78.74[3.100]	64	622-6430LF	3-1658527-1
OBSOLETE	YES	YES	3.80[.150]	80.70[3.177]	74.93[2.950]	73.66[2.900]	60	622-6041LF	3-1658527-0
OBSOLETE	NO	YES	3.80[.150]	80.70[3.177]	74.93[2.950]	73.66[2.900]	60	622-6030LF	2-1658527-9
OBSOLETE	NO	YES	3.80[.150]	75.62[2.977]	69.85[2.750]	68.58[2.700]	56	622-5630LF	1-1658527-8
	YES	YES	3.80[.150]	68.00[2.677]	62.23[2.450]	60.95[2.400]	50	622-5041LF	1-1658527-5
	NO	YES	3.80[.150]	68.00[2.677]	62.23[2.450]	60.95[2.400]	50	622-5030LF	1-1658527-4
OBSOLETE	NO	NO	-	60.38[2.377]	54.61[2.150]	53.34[2.100]	44	622-4400LF	1-1658527-7
	YES	YES	3.80[.150]	55.30[2.177]	49.53[1.950]	48.26[1.900]	40	622-4041LF	1-1658527-3
	NO	YES	3.80[.150]	55.30[2.177]	49.53[1.950]	48.26[1.900]	40	622-4030LF	1-1658527-2
	YES	YES	3.80[.150]	47.68[1.877]	41.91[1.650]	40.64[1.600]	34	622-3441LF	2-1658527-8
	NO	YES	3.80[.150]	47.68[1.877]	41.91[1.650]	40.64[1.600]	34	622-3430LF	1-1658527-1
	YES	YES	3.80[.150]	42.60[1.677]	36.83[1.450]	35.56[1.400]	30	622-3041LF	2-1658527-7
	NO	YES	3.80[.150]	42.60[1.677]	36.83[1.450]	35.56[1.400]	30	622-3030LF	2-1658527-6
	YES	YES	3.80[.150]	37.52[1.477]	31.75[1.250]	30.48[1.200]	26	622-2641LF	1-1658527-0
	NO	YES	3.80[.150]	37.52[1.477]	31.75[1.250]	30.48[1.200]	26	622-2630LF	1658527-9
	YES	YES	3.80[.150]	34.98[1.377]	29.21[1.150]	27.94[1.100]	24	622-2441LF	2-1658527-5
OBSOLETE	NO	YES	3.80[.150]	34.98[1.377]	29.21[1.150]	27.94[1.100]	24	622-2430LF	2-1658527-4
	YES	YES	3.80[.150]	29.90[1.177]	24.13[.950]	22.86[.900]	20	622-2041LF	1658527-8
	NO	YES	3.80[.150]	29.90[1.177]	24.13[.950]	22.86[.900]	20	622-2030LF	2-1658527-3
	YES	YES	3.80[.150]	24.82[.977]	19.05[.750]	17.78[.700]	16	622-1641LF	1658527-7
	NO	YES	3.80[.150]	24.82[.977]	19.05[.750]	17.78[.700]	16	622-1630LF	1658527-6
	YES	YES	3.80[.150]	22.28[.877]	16.51[.650]	15.24[.600]	14	622-1441LF	2-1658527-2
	NO	YES	3.80[.150]	22.28[.877]	16.51[.650]	15.24[.600]	14	622-1430LF	1658527-5
OBSOLETE	YES	YES	3.80[.150]	19.74[.777]	13.97[.550]	12.70[.500]	12	622-1241LF	2-1658527-1
	NO	YES	3.80[.150]	19.74[.777]	13.97[.550]	12.70[.500]	12	622-1230LF	2-1658527-0
	YES	YES	3.20[.126]	17.20[.677]	11.43[.450]	10.16[.400]	10	622-1041LF	1658527-4
	NO	YES	3.20[.126]	17.20[.677]	11.43[.450]	10.16[.400]	10	622-1030LF	1658527-3
OBSOLETE	NO	NO	-	14.66[.577]	8.89[.350]	7.62[.300]	8	622-0800LF	1-1658527-6
	YES	YES	1.90[.075]	12.12[.477]	6.35[.250]	5.08[.200]	6	622-0641LF	1-1658527-9
	NO	YES	1.90[.075]	12.12[.477]	6.35[.250]	5.08[.200]	6	622-0630LF	1658527-2
OBSOLETE	NO	YES	1.90[.075]	9.58[.377]	3.81[.150]	2.54[.100]	4	622-0430LF	1658527-1
	STRAIN RELIEF	CENTER POLARIZER	D	C	B	A	NUMBER OF POSITIONS	T&B PART NUMBER (REFERENCE)	PART NUMBER

ELECTRICAL PROPERTIES	
CURRENT RATING	1 AMP
INSULATION RESISTANCE	>1 x 10 <sup>9</sup> OHMS @ 500 VDC
DWV	>500 VRMS AT SEA LEVEL
ENVIRONMENTAL PROPERTIES	
TEMPERATURE RATING	-55°C TO 125°C

THIS DRAWING IS A CONTROLLED DOCUMENT.

DIMENSIONS: INCHES  
 TOLERANCES UNLESS OTHERWISE SPECIFIED:  
 0. PLC ± -  
 1. PLC ± -  
 2. PLC ± -  
 3. PLC ± 0.1X(.005)  
 4. PLC ± -  
 ANGLES ± -

MATERIAL: FINISH:

THIS DRAWING IS A CONTROLLED DOCUMENT. J. GERACE 17SEP04  
 C. ROHDE 17SEP04  
 M. WALMSLEY 17SEP04  
 NAME: CONNECTOR ASSEMBLY, FEMALE SOCKET TRANSITION, 622 SERIES  
 SIZE: A1 CASE CODE: 00779 DRAWING NO: 1658527  
 WEIGHT: - RESTRICTED TO: -  
 CUSTOMER DRAWING SCALE: 10:1 SHEET: 1 OF 1 REV: D1