



Chipsmall Limited consists of a professional team with an average of over 10 year of expertise in the distribution of electronic components. Based in Hongkong, we have already established firm and mutual-benefit business relationships with customers from,Europe,America and south Asia,supplying obsolete and hard-to-find components to meet their specific needs.

With the principle of “Quality Parts,Customers Priority,Honest Operation,and Considerate Service”,our business mainly focus on the distribution of electronic components. Line cards we deal with include Microchip,ALPS,ROHM,Xilinx,Pulse,ON,Everlight and Freescale. Main products comprise IC,Modules,Potentiometer,IC Socket,Relay,Connector.Our parts cover such applications as commercial,industrial, and automotives areas.

We are looking forward to setting up business relationship with you and hope to provide you with the best service and solution. Let us make a better world for our industry!



Contact us

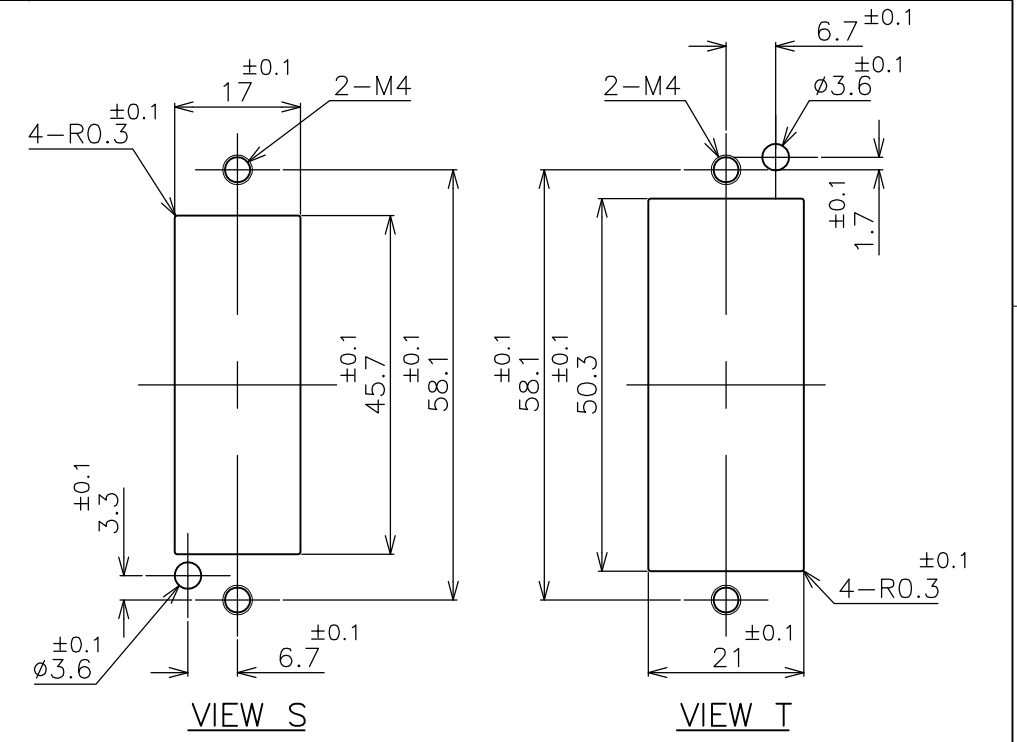
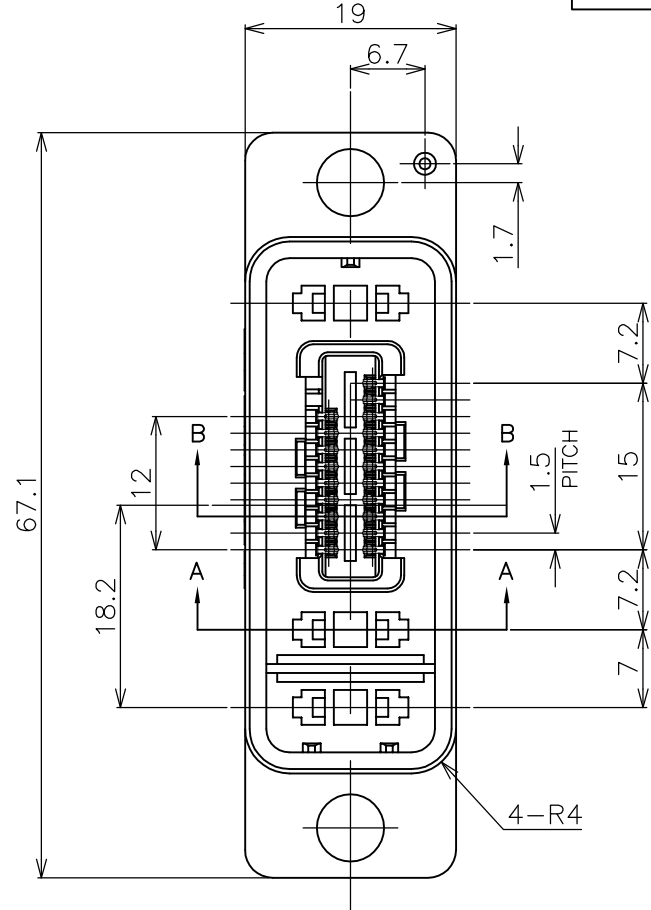
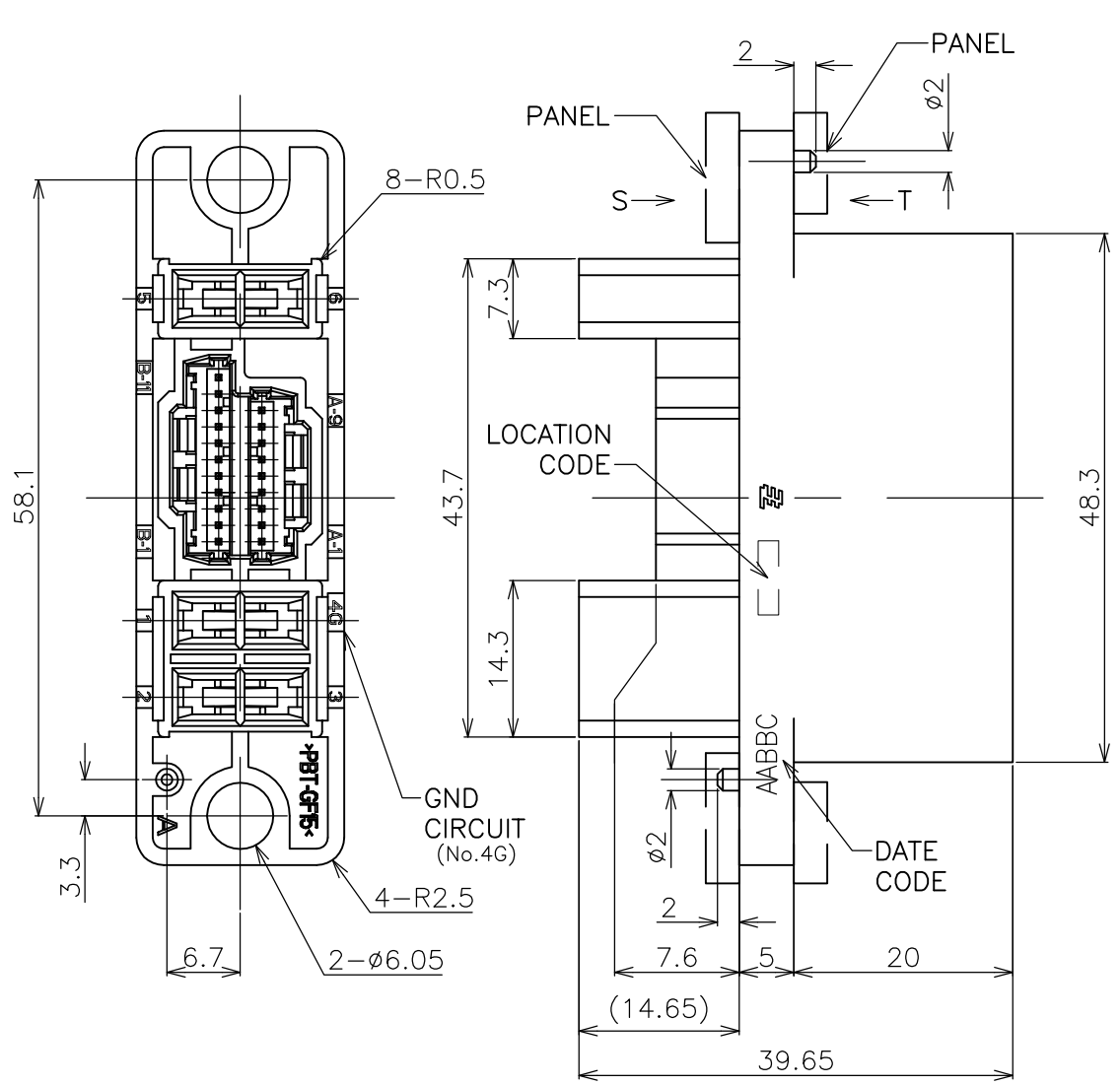
Tel: +86-755-8981 8866 Fax: +86-755-8427 6832

Email & Skype: info@chipsmall.com Web: www.chipsmall.com

Address: A1208, Overseas Decoration Building, #122 Zhenhua RD., Futian, Shenzhen, China



LOC		DIST		REVISIONS		
J		-		変更		
P	LTR	DESCRIPTION		DATE	DWN	APVD
B		RELEASED ECR-10-010197		17JUN11	T.Q	S.Y



PANEL CUT DIMENSIONS
(CONNECTOR MATING SIDE)

NOTE:
 1. USE WITH MT REC CONN P/N: X-353293-X
 CRIMP HSG P/N: X-353908-X
 CRIMP CONT P/N: 353907-1
 353918-1(L/P)

2. APPLICABLE POWER CONTACT P/N

FINISH	AWG	STRIP
GOLD PL. & TIN-LEAD PL.	#16-20	0-179321-2
GOLD PL. & TIN PL.	#20-24	0-179322-2
GOLD PL. & TIN PL.	#16-20	0-179321-3
GOLD PL. & TIN PL.	#20-24	0-179322-3
ALL TIN PL.	#16-20	1-179321-2
ALL TIN PL.	#20-24	1-179322-2

△ MATERIAL;
 HOUSING : PBT G.F. UL94V-0 COLOR:BLACK
 SIGNAL CONTACT : PHOSPHOR BRONZE

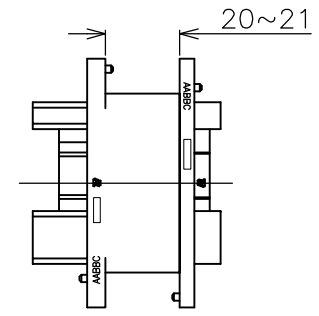
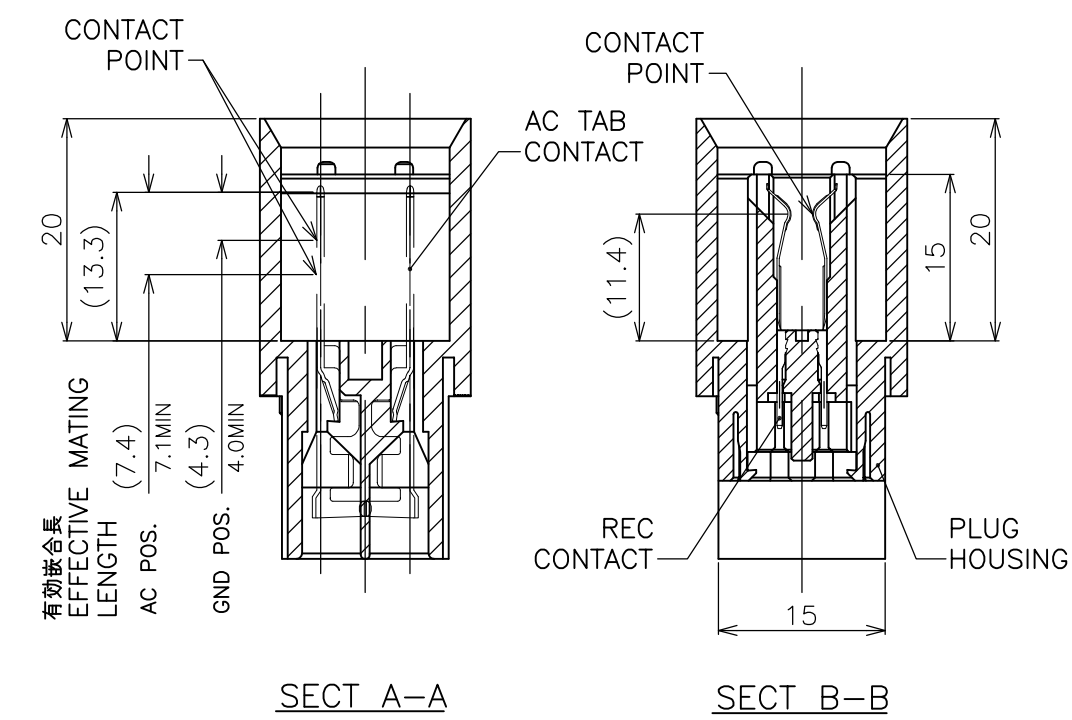
△ CONTACT FINISH;
 DRAWER CONTACT AREA : NICKEL PL. ALL OVER GOLD PL.
 POST AREA : NICKEL PL. ALL OVER TIN PL.

△ P : NUMBER OF POWER CONTACT (UNASSEMBLED)
 S : NUMBER OF SIGNAL CONTACT (ASSEMBLED)

6. COUNTER MATING CONNECTOR P/N : 2-1674755-0
 7 FLOATING DIMENSION : ±1.0 MAX
 (INCLUDE THE AMOUNT OF AXIAL GAPS)

△ GENERAL TOLERANCE
 10 ≥ : ±0.2
 30 ≥ >10 : ±0.25
 100 ≥ >30 : ±0.3
 ANGLES : ±3°

6-20	2-1674754-0
極数 POS. (P-S)	型番 P/N



パネル間寸法
DIMENSION BETWEEN PANELS

THIS DRAWING IS A CONTROLLED DOCUMENT.

DWN	H.HOSHINO	10MAR03
CHK	T.KUSUHARA	10MAR03
APVD	H.MURAMATSU	10MAR03
PRODUCT SPEC	製品規格	108-5882
APPLICATION SPEC	取付適用規格	
WEIGHT	23.1g	A300779
DRAWING NO	番号	C-1674754
RESTRICTED TO		
CUSTOMER DRAWING	SCALE 尺度 NON	SHEET 1 of 1
		REV B

TE Connectivity

PLUG ASSEMBLY
 MINI CT HYBRID DRAWER CONNECTOR
 AC6DC20 TYPE