



Chipsmall Limited consists of a professional team with an average of over 10 year of expertise in the distribution of electronic components. Based in Hongkong, we have already established firm and mutual-benefit business relationships with customers from,Europe,America and south Asia,supplying obsolete and hard-to-find components to meet their specific needs.

With the principle of “Quality Parts,Customers Priority,Honest Operation,and Considerate Service”,our business mainly focus on the distribution of electronic components. Line cards we deal with include Microchip,ALPS,ROHM,Xilinx,Pulse,ON,Everlight and Freescale. Main products comprise IC,Modules,Potentiometer,IC Socket,Relay,Connector.Our parts cover such applications as commercial,industrial, and automotives areas.

We are looking forward to setting up business relationship with you and hope to provide you with the best service and solution. Let us make a better world for our industry!



## Contact us

Tel: +86-755-8981 8866 Fax: +86-755-8427 6832

Email & Skype: info@chipsmall.com Web: www.chipsmall.com

Address: A1208, Overseas Decoration Building, #122 Zhenhua RD., Futian, Shenzhen, China



4

3

2

1

THIS DRAWING IS UNPUBLISHED.      RELEASED FOR PUBLICATION  
 © COPYRIGHT BY TYCO ELECTRONICS CORPORATION.      ALL RIGHTS RESERVED.

| LOC |  | DIST |  | REVISIONS |     |                       |         |     |      |
|-----|--|------|--|-----------|-----|-----------------------|---------|-----|------|
| ES  |  | 00   |  | P         | LTR | DESCRIPTION           | DATE    | DWN | APVD |
|     |  |      |  | C         |     | REVISED ECR-10-010197 | 17JUN11 | T.Q | S.Y  |

DIMENSION BETWEEN PANELS

|                                |               |
|--------------------------------|---------------|
| 6-20 (AC6 ALL-POWER, DC20)     | △ 2-1674755-1 |
| 6-20 (AC6 5-POWER 1-GND, DC20) | △ 2-1674755-0 |
| △ POS. (P-S)                   | P/N           |

|  |  |                  |             |          |  |
|--|--|------------------|-------------|----------|--|
| THIS DRAWING IS A CONTROLLED DOCUMENT. |  | DWN              | H.HOSHINO   | 10MAR03  | <br>TE Connectivity  |
|  |  | CHK              | T.KUSUHARA  | 10MAR03  |  |
|  |  | APVD             | H.MURAMATSU | 10MAR03  | NAME<br>RECEPTACLE ASSY<br>MINI CT HYBRID DRAWER CONNECTOR<br>AC6DC20 TYPE |
|  |  | PRODUCT SPEC     |             | 108-5882 |  |
|  |  | APPLICATION SPEC |             |          | SIZE<br>A3   |
|  |  | WEIGHT           |             | 19.3g    |  |
|  |  | CUSTOMER DRAWING |             |          | CAGE CODE<br>00779   |
|  |  |                  |             |          | DRAWING NO<br>C=1674755  |
|  |  |                  |             |          | RESTRICTED TO<br>-   |
|  |  |                  |             |          | SCALE<br>NTS   |
|  |  |                  |             |          | SHEET<br>1 OF 2  |
|  |  |                  |             |          | REV<br>C   |

|             |  |       |
|-------------|--|-------|
| DIMENSIONS: | TOLERANCES UNLESS OTHERWISE SPECIFIED: |       |
| mm          | 0 PLC                                  | ± -   |
|             | 1 PLC                                  | ± -   |
|             | 2 PLC                                  | ± - △ |
|             | 3 PLC                                  | ± -   |
|             | 4 PLC                                  | ± -   |
|             | ANGLES                                 | ± -   |
| MATERIAL    | FINISH                                 |       |
| △           | △                                      |       |

AMP 1470-19 REV 31MAR2000

THIS DRAWING IS UNPUBLISHED. RELEASED FOR PUBLICATION

© COPYRIGHT BY TYCO ELECTRONICS CORPORATION. ALL RIGHTS RESERVED.

| LOC | DIST | REVISIONS   |      |     |      |
|-----|------|-------------|------|-----|------|
| P   | LTR  | DESCRIPTION | DATE | DWN | APVD |
| ES  | 00   | SEE SHEET 1 | -    | -   | -    |

NOTE:  
 1. USE WITH:MT REC CONN P/N: X-353293-X  
 CRIMP HSG P/N: X-353908-X  
 CRIMP CONT P/N: 353907-1  
 353918-1(L/P)

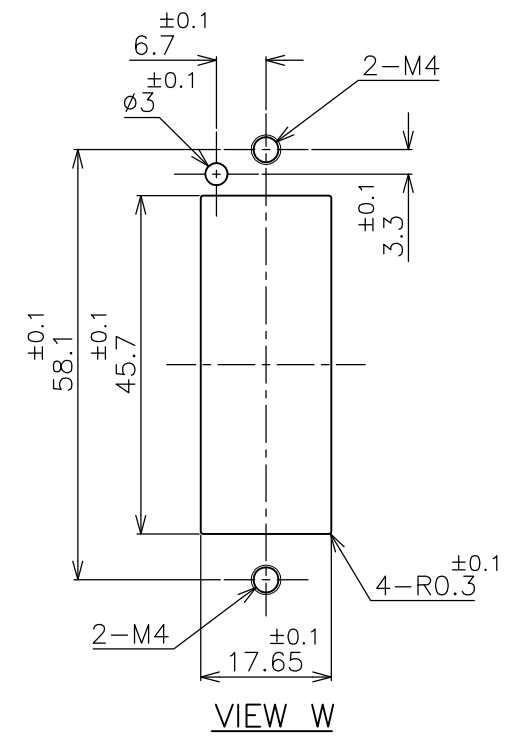
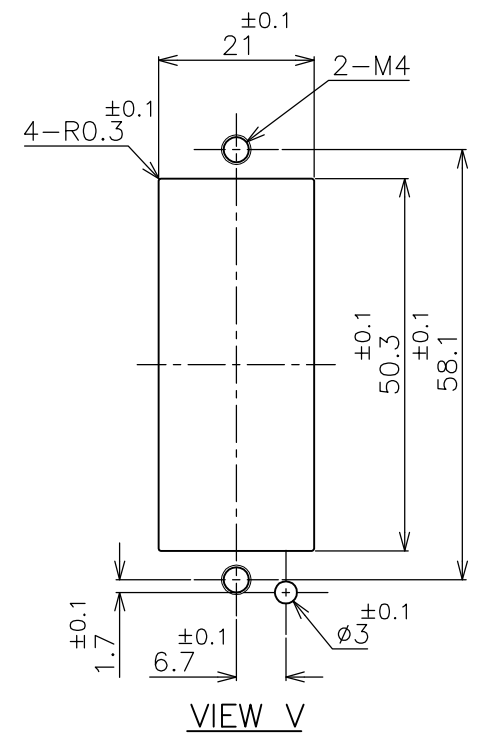
△ APPRICABLE POWER AND GND CONTACT P/N

| FINISH                  | AWG    | POWER STRIP | GND STRIP  |
|-------------------------|--------|-------------|------------|
| GOLD PL. & TIN-LEAD PL. | #16-20 | 0-179316-2  | 0-316458-2 |
| GOLD PL. & TIN PL.      | #20-24 | 0-179317-2  | -          |
| GOLD PL. & TIN PL.      | #16-20 | 0-179316-4  | 0-316458-4 |
| GOLD PL. & TIN PL.      | #20-24 | 0-179317-4  | -          |
| ALL TIN PL.             | #16-20 | 1-179316-2  | 1-316458-2 |
| ALL TIN PL.             | #20-24 | 1-179317-2  | -          |

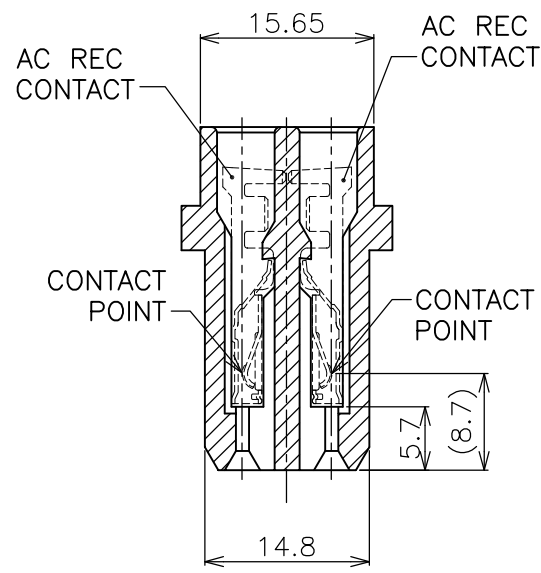
△ APPRICABLE POWER CONTACT P/N

| FINISH                  | AWG    | POWER STRIP |
|-------------------------|--------|-------------|
| GOLD PL. & TIN-LEAD PL. | #16-20 | 0-179316-2  |
| GOLD PL. & TIN PL.      | #20-24 | 0-179317-2  |
| GOLD PL. & TIN PL.      | #16-20 | 0-179316-4  |
| GOLD PL. & TIN PL.      | #20-24 | 0-179317-4  |
| ALL TIN PL.             | #16-20 | 1-179316-2  |
| ALL TIN PL.             | #20-24 | 1-179317-2  |

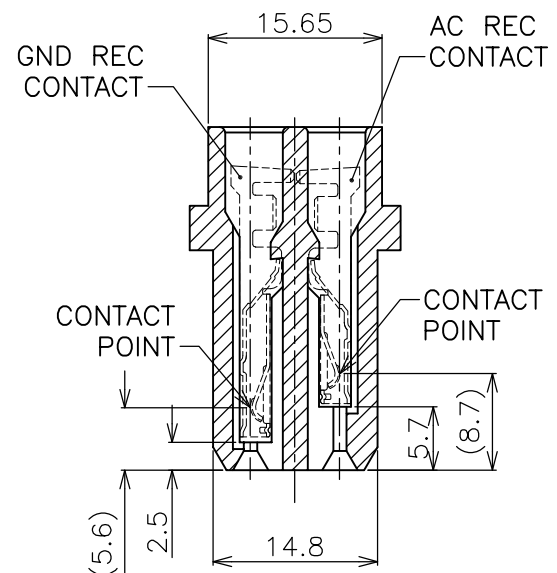
- △ MATERIAL;  
HOUSING : PBT G.F. UL94V-0 COLOR:BLACK  
SIGNAL CONTACT : BRASS
- △ CONTACT FINISH;  
DRAWER CONTACT AREA : NICKEL PL. ALL OVER GOLD PL.  
POST AREA : NICKEL PL. ALL OVER TIN PL.
- △ P : NUMBER OF POWER CONTACT (UNASSEMBLED)  
S : NUMBER OF SIGNAL CONTACT (ASSEMBLED)
- 6. COUNTER MATING CONNECTOR P/N : 2-1674754-0
- △ GENERAL TOLERANCE  
10 ≥ : ±0.2  
30 ≥ >10 : ±0.25  
100 ≥ >30 : ±0.3  
ANGLES : ±3°
- 8. RECOMMENDED TIGHTENING TORQUE FOR PANEL INSTALLATION : 0.49Nm MAX. (5kgfcm MAX.)



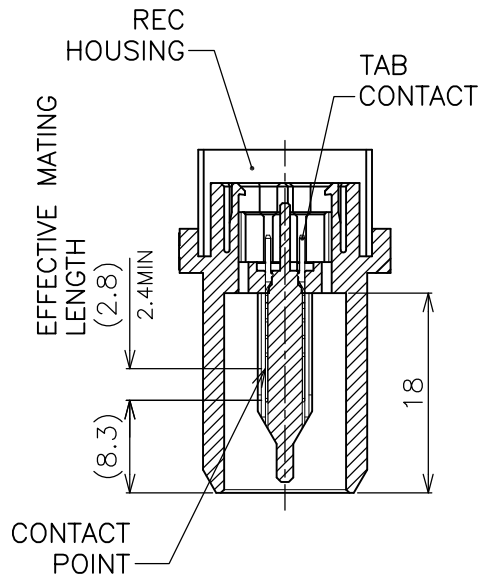
PANEL CUT DIMENSIONS (CONNECTOR MATING SIDE)



SECT A-A  
2-1674755-1 AS SHOWN



SECT A-A  
2-1674755-0 AS SHOWN



SECT B-B

|   |  |              |  |  |  |
|---|--|--------------|--|--|--|
| THIS DRAWING IS A CONTROLLED DOCUMENT.                          |  | DWN          |  | TE Connectivity  |  |
| DIMENSIONS: mm  |  | CHK          |  |  |  |
| TOLERANCES UNLESS OTHERWISE SPECIFIED:                          |  | APVD         |  | NAME   |  |
| 0 PLC ±<br>1 PLC ±<br>2 PLC ±<br>3 PLC ±<br>4 PLC ±<br>ANGLES ± |  | PRODUCT SPEC |  | RECEPTACLE ASSY<br>MINI CT HYBRID DRAWER CONNECTOR<br>AC6DC20 TYPE |  |
| MATERIAL  |  | FINISH       |  | DRAWING NO   |  |
|   |  |              |  | RESTRICTED TO  |  |
|   |  |              |  | SIZE CAGE CODE   |  |
|   |  |              |  | A3 00779   |  |
|   |  |              |  | DRAWING NO   |  |
|   |  |              |  | C-1674755  |  |
|   |  |              |  | SCALE NTS SHEET 2 OF 2 REV C                                       |  |
|   |  |              |  | CUSTOMER DRAWING   |  |