



Chipsmall Limited consists of a professional team with an average of over 10 year of expertise in the distribution of electronic components. Based in Hongkong, we have already established firm and mutual-benefit business relationships with customers from,Europe,America and south Asia,supplying obsolete and hard-to-find components to meet their specific needs.

With the principle of “Quality Parts,Customers Priority,Honest Operation,and Considerate Service”,our business mainly focus on the distribution of electronic components. Line cards we deal with include Microchip,ALPS,ROHM,Xilinx,Pulse,ON,Everlight and Freescale. Main products comprise IC,Modules,Potentiometer,IC Socket,Relay,Connector.Our parts cover such applications as commercial,industrial, and automotives areas.

We are looking forward to setting up business relationship with you and hope to provide you with the best service and solution. Let us make a better world for our industry!



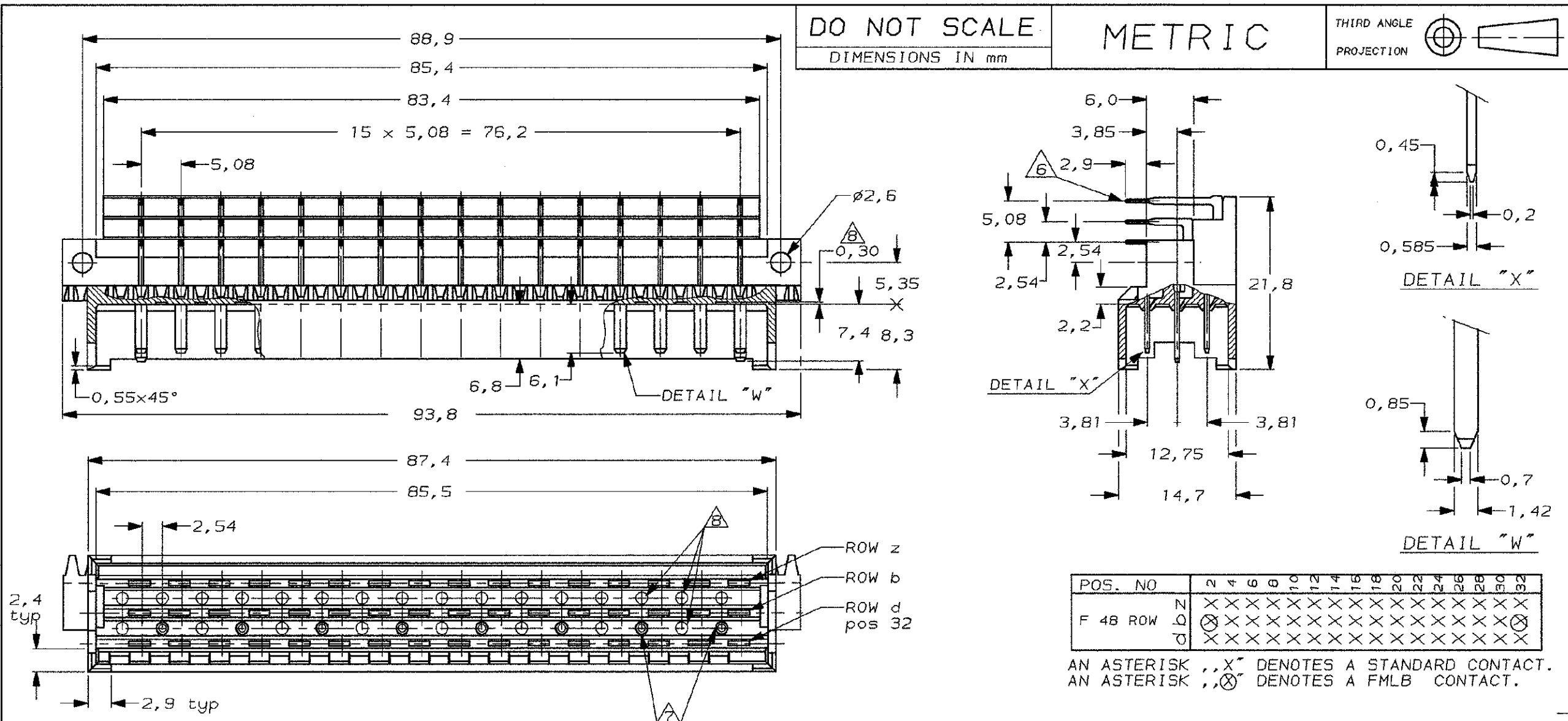
Contact us

Tel: +86-755-8981 8866 Fax: +86-755-8427 6832

Email & Skype: info@chipsmall.com Web: www.chipsmall.com

Address: A1208, Overseas Decoration Building, #122 Zhenhua RD., Futian, Shenzhen, China





- NOTES**
- 1 MATERIAL:
-HOUSING: THERMOPLASTIC POLYESTER, COLOR GREY.
-CONTACTS: BRASS.
 - 2 PLATING CONTACT: 1,25 µm Au OVER 1,25 µm Ni IN CONTACT AREA.
Sn/Pb over 1,25 µm Ni ON SOLDER POST.
 - 3 PLATING CONTACT: 0,8 µm Au OVER 1,25 µm Ni IN CONTACT AREA.
Sn/Pb over 1,25 µm Ni ON SOLDER POST.
 - 4 PLATING CONTACT: 2,0 µm Au OVER 1,25 µm Ni IN CONTACT AREA.
Sn/Pb over 1,25 µm Ni ON SOLDER POST.
 - 5 PLATING CONTACT: 0,4 µm Au OVER 1,25 µm Ni IN CONTACT AREA.
Sn/Pb over 1,25 µm Ni ON SOLDER POST.
 - 6 SOLDER POSTS SUITABLE FOR P.C.B. HOLES
0,8±0,05 OR 1,0±0,1 DIA.
 - 7 8 HOLES SUITABLE FOR KEYING PIN PN. 215916-1.
 - 8 KEYING HOLES TO BE DRILLED BY CUSTOMER.

DO NOT SCALE METRIC DIMENSIONS IN mm THIRD ANGLE PROJECTION

2--8 OBSOLETE	SEE NOTE 5		2-167495-8
2--7 OBSOLETE	SEE NOTE 4	SEE NOTE 1	2-167495-7
	SEE NOTE 3		2-167495-4
2--1 OBSOLETE	SEE NOTE 2		2-167495-1
	FINISH	MATERIAL	PARTNUMBER
CUSTOMER DRAWING FOR REFERENCE ONLY WILL NOT BE UPDATED			
© COPYRIGHT 19- BY AMP-HOLLAND B.V. ALL INTERNATIONAL RIGHTS RESERVED. AMP PRODUCTS MAY BE COVERED BY U.S. AND FOREIGN AND/OR PATENTS PENDING. THIS DRAWING IS UNPUBLISHED RELEASED FOR PUBLICATION ,19			
G EH-0467-96		J.G. J.G. 27-05-97	AMP AMP-HOLLAND B.V. 's-Hertogenbosch, The Netherlands.
F H-9853		R.v.L J.v.v. 31.03.93	
LTR. REVISION RECORD		DR. CHK. DATE	NAME
DR. R.v.Lokven		CHK. J. STIBBELS	APP. -
DATE: 31.03.93		DATE: 27-5-97	DATE: -
			DWG.No. C-167495
			REV.LTR. SHEET 6 1 OF 1
			A3