



Chipsmall Limited consists of a professional team with an average of over 10 year of expertise in the distribution of electronic components. Based in Hongkong, we have already established firm and mutual-benefit business relationships with customers from,Europe,America and south Asia,supplying obsolete and hard-to-find components to meet their specific needs.

With the principle of “Quality Parts,Customers Priority,Honest Operation,and Considerate Service”,our business mainly focus on the distribution of electronic components. Line cards we deal with include Microchip,ALPS,ROHM,Xilinx,Pulse,ON,Everlight and Freescale. Main products comprise IC,Modules,Potentiometer,IC Socket,Relay,Connector.Our parts cover such applications as commercial,industrial, and automotives areas.

We are looking forward to setting up business relationship with you and hope to provide you with the best service and solution. Let us make a better world for our industry!



## Contact us

Tel: +86-755-8981 8866 Fax: +86-755-8427 6832

Email & Skype: info@chipsmall.com Web: www.chipsmall.com

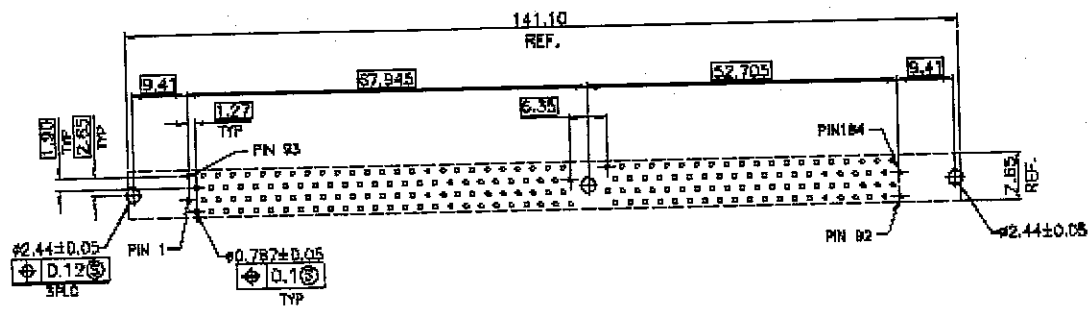
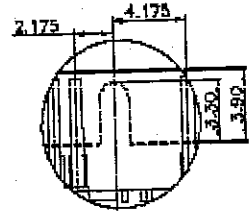
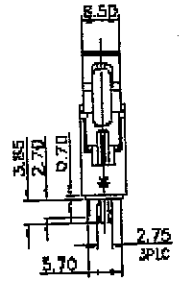
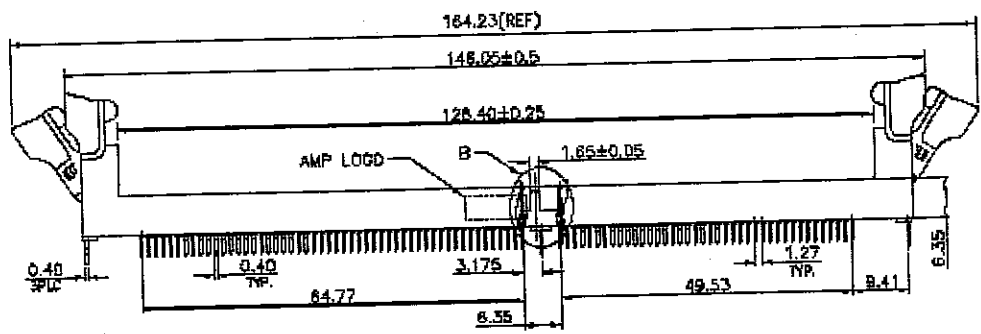
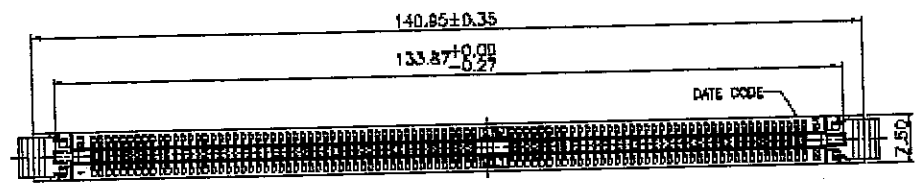
Address: A1208, Overseas Decoration Building, #122 Zhenhua RD., Futian, Shenzhen, China



C-1734003

METRIC

THIS DIMENSION IS CONTINGENT UPON THE RECOMMENDED PCB LAYOUT. DIMENSIONS IN MILLIMETERS. DO NOT SCALE PRINT.



RECOMMENDED PCB LAYOUT

- NOTES:  
 1. MATERIAL  
 HOUSING: THERMOPLASTIC, UL94V-0, COLOR: SEE TABLE  
 EXTRACTOR: THERMOPLASTIC, UL94V-0, COLOR: WHITE  
 CONTACT: BRASS  
 BOARD LOCK: BRASS  
 2. FINISH:  
 CONTACT: GOLD PLATING ON CONTACT AREA,  
 100µ MIN MATTE TIN PLATING ON SOLDER TAILS,  
 50µ MIN NICKEL UNDER PLATING OVER ALL.  
 BOARD LOCK: 100µ MIN BRIGHT TIN PLATING ON SOLDER TAILS,  
 50µ MIN NICKEL UNDER PLATING OVER ALL.  
 3. SPECIFICATION:  
 3.1 CURRENT RATING: 1A MAX.  
 3.2 VOLTAGE: 100VAC PER CONTACT  
 3.3 TEMPERATURE RANGE: -55°C to +85°C  
 3.4 CONTACT RESISTANCE: 30 MILLIOHM MAX.  
 3.5 DIELECTRIC WITHSTANDING VOLTAGE: 250VAC r.m.s.  
 3.6 INSULATION RESISTANCE: 1000 MEGOHMS MIN.  
 4. WAVE SOLDER CAPABLE TO 285°C  
 PER TICC SPEC. 109-202. CONDITION B

BLUE-GREEN 338U	15µ MIN. GOLD FLASH	3-1734003-2 3-1734003-1
PURPLE 272BU	15µ MIN. GOLD FLASH	2-1734003-2 2-1734003-1
BLUE 3D1C	15µ MIN. GOLD FLASH	1-1734003-2 1-1734003-1
BLACK	15µ MIN. GOLD FLASH	1734003-2 1734003-1
HSC COLOR	GOLD PLATING	PART NUMBER

TOLERANCES UNLESS OTHERWISE SPECIFIED: 0.150 ±0.005 0.151 ±0.005 0.152 ±0.005 0.153 ±0.005 ANGLES ±3°	DWG 06-JUL-2008 CHK R. J. KE 06-JUL-2008 MATERIAL SEE NOTE FINISH SEE NOTE	REV 06-JUL-2008 R. J. KE 06-JUL-2008 PRODUCT SPEC 109-57515 QUALIFICATION TEST REPORT G01-57028 WEIGHT 4.7 GRAM	REV 06-JUL-2008 R. J. KE 06-JUL-2008 DRAWING NO C-1734003 SCALE 1 OF 2	TYCO HOLDINGS (BERMUDA) VI LTD. TOWN BRANCH SOCKET ASSEMBLY, DIMM 2P LOW INSERTION FORCE, 15+ POSITION
--	--	--	---	--

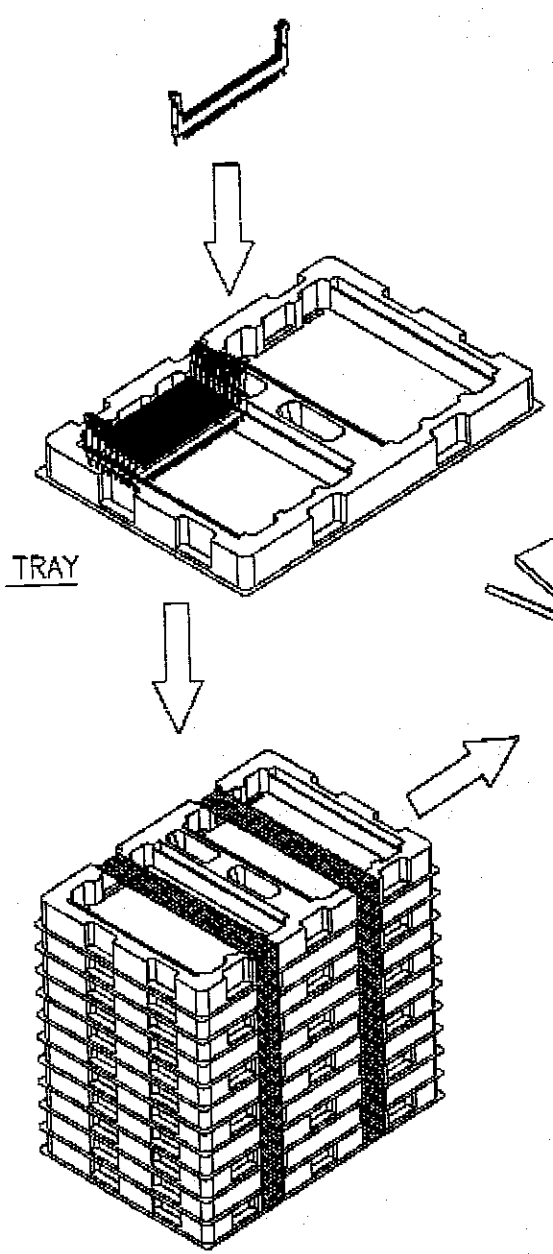
A	ADDED P/N: 2-X; 3-X	EGR-08-010677	BH	17/11
01	ADDED P/N: 1-X	EGR-08-010387	BH	17/11
0	FIRST RELEASED	F200-0248-D4	A	04/10
LTR	REVISION RECORD	EGR	PH	04/10

C-1734003

METRIC

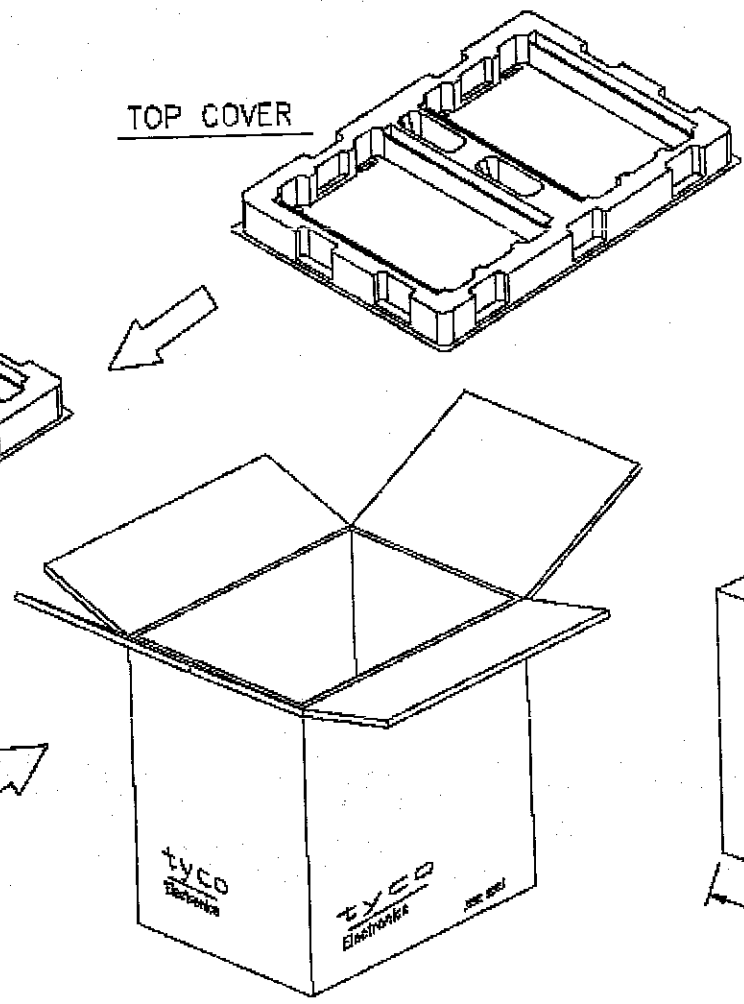
THIS DIMENSION IS CONSIDERED TO THAT OF COMPONENT THAT HAS MOUNTED THEREON IN PLACE OF YOU TO ORDER THAT WILL BE DELIVERED WITHOUT DIMENSIONS IN MILLIMETERS. DO NOT SCALE PRINT.

PRINT DW



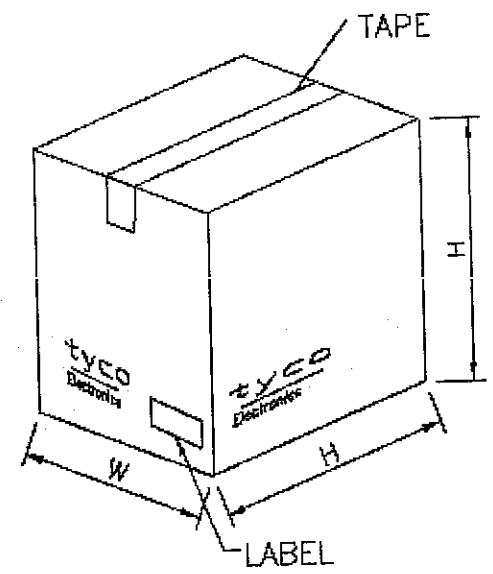
TOP COVER

TRAY



NOTE:

1. MATERIAL:
  - 1.1 TRAY: PVC
  - 1.2 SHIPPING CARTON: CORRUGATED FIBERBOARD
2. DIMENSION:
  - 2.1 TRAY: L=388, W=256, H=32
  - 2.2 SHIPPING CARTON: L=385, W=270, H=340
3. QUANTITY:
  - 3.1 PRIMARY PACKING: 50 PCS/TRAY
  - 3.2 SECONDARY PACKING: 10 TRAYS/CARTON(500PCS)
4. WEIGHT:
  - 4.1 NET WEIGHT: 4.85KG/CARTON
  - 4.2 GROSS WEIGHT: 7.0KG/CARTON



TOLERANCES UNLESS OTHERWISE SPECIFIED:		DWG	S. HOU	<b>tyco</b>	TYCO HOLDINGS (BERMUDA)
0	P/C ±		06-JUL-2008	<b>Electronics</b>	VI LTD. TAIWAN BRANCH
1	P/C ±	CHK	W. J. KE		
2	P/C ±		06-JUL-2008		
3	P/C ±	APVD	W. J. KE		
ANGLES	±		06-JUL-2008		
MATERIAL		PRODUCT SPEC			SOCKET ASSEMBLY, DIMM 2P LOW INSERTION FORCE, 184 POSITION
FINISH		APPLICATION SPEC		LOG	REV
		WEIGHT		DW	A
				SCALE	DRAWING NO
					C-1734003
					SHEET
					2 OF 2

SEE SHEET 1	ECN	DATE
REVISION RECORD		

8 7 6 5 4 3 2 1 CUSTOMER DRAWING