



Chipsmall Limited consists of a professional team with an average of over 10 year of expertise in the distribution of electronic components. Based in Hongkong, we have already established firm and mutual-benefit business relationships with customers from,Europe,America and south Asia,supplying obsolete and hard-to-find components to meet their specific needs.

With the principle of “Quality Parts,Customers Priority,Honest Operation,and Considerate Service”,our business mainly focus on the distribution of electronic components. Line cards we deal with include Microchip,ALPS,ROHM,Xilinx,Pulse,ON,Everlight and Freescale. Main products comprise IC,Modules,Potentiometer,IC Socket,Relay,Connector.Our parts cover such applications as commercial,industrial, and automotives areas.

We are looking forward to setting up business relationship with you and hope to provide you with the best service and solution. Let us make a better world for our industry!



## Contact us

Tel: +86-755-8981 8866 Fax: +86-755-8427 6832

Email & Skype: info@chipsmall.com Web: www.chipsmall.com

Address: A1208, Overseas Decoration Building, #122 Zhenhua RD., Futian, Shenzhen, China



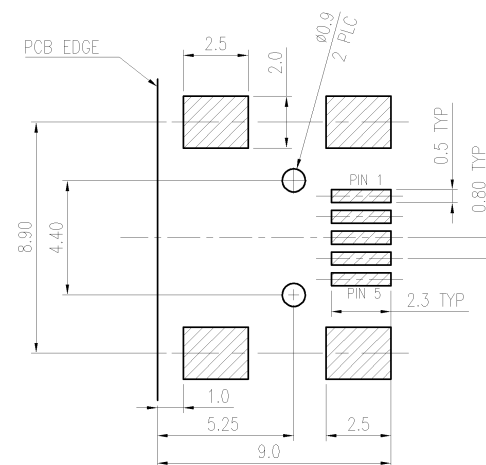
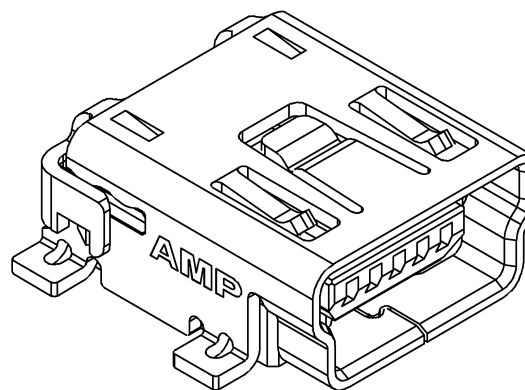
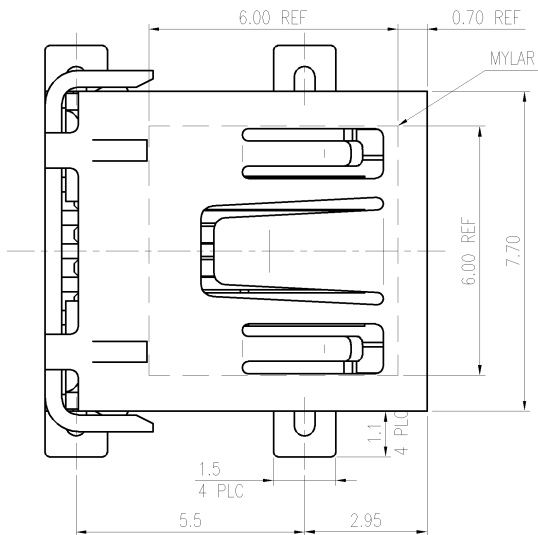
THIS DRAWING IS UNPUBLISHED. RELEASED FOR PUBLICATION

© COPYRIGHT BY TYCO ELECTRONICS CORPORATION. ALL RIGHTS RESERVED.

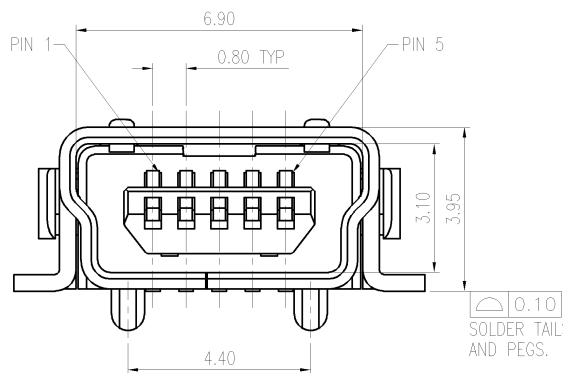
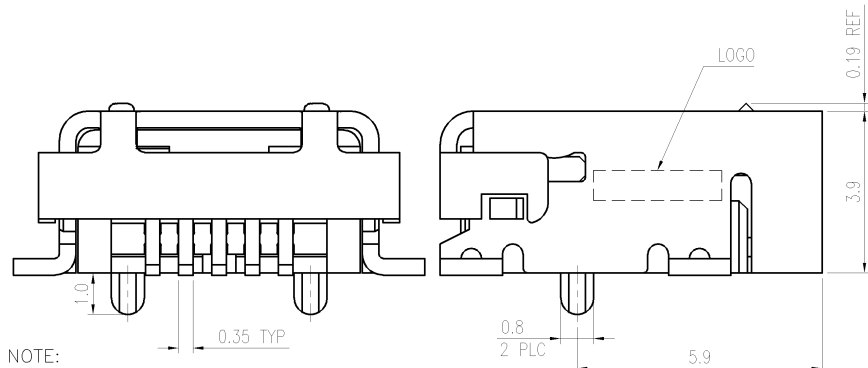
LOC DW DIST -

REVISIONS

P	LTR	DESCRIPTION	DATE	DWN	APVD
E		REVISED (ECR-12-014157)	29AUG12	JL	WK



RECOMMENDED PCB LAYOUT (MOUNTING SIDE)  
THICKNESS 1.57mm (TOLERANCE: ±0.05)



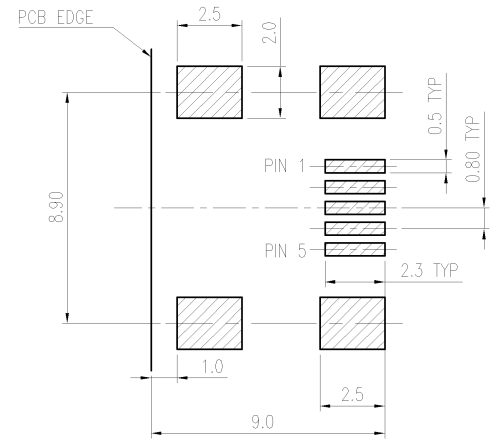
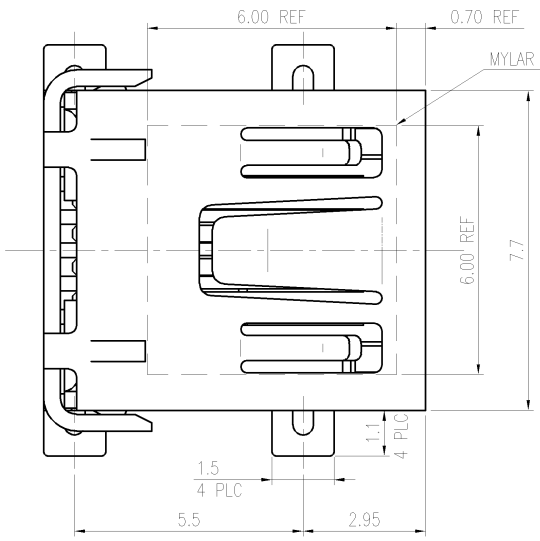
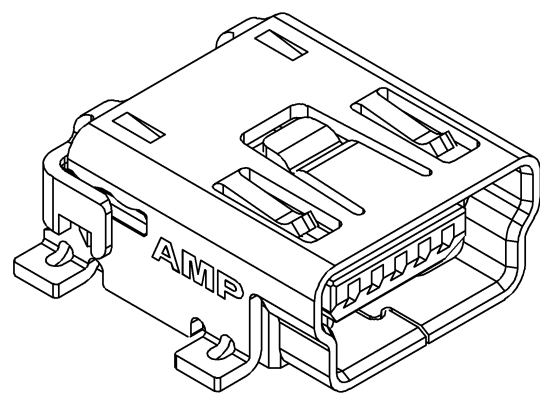
- NOTE:
- MATERIAL:  
HOUSING: PA9T WITH 33% GF, UL 94V-0, BLACK COLOR.  
CONTACTS: PHOSPHOR BRONZE.  
SHELL: PHOSPHOR BRONZE.  
MYLAR: POLYAMIDE FILM.
  - FINISH:  
CONTACTS: GOLD FLASH OVER  
0.762µm [30µ"] MIN. PALLADIUM-NICKEL PLATED ON CONTACT AREA,  
    - △ 2.54µm [100µ"] MIN. MATTE-TIN ON SOLDER TAIL,
    - △ 2.54µm [100µ"] MIN. MATTE-TIN ON SOLDER TAIL,
    - △ 3.05µm [120µ"] MIN. MATTE-TIN ON SOLDER TAIL,
WITH ENTIRE CONTACT UNDERPLATED 1.27µm [50µ"] MIN. NICKEL.  
SHELL: △ & △ 2.03µm [80µ"] MIN. NICKEL PLATED OVERALL.  
△ 0.76µm [30µ"] MIN. MATTE-TIN OVER 1.27µm [50µ"] MIN. NICKEL.
  - NO DATECODE ON PRODUCT SURFACE.
  - REFLOW SOLDER CAPABLE TO 260°C PER TE TEST SPEC.  
109-201, CONDITION B.

△	W/O	W/O	TAPE REEL	W/	3-1734035-2
△ B	W/	W/O	TAPE REEL	W/	2-1734035-4
	W/O	W/	TAPE REEL	W/	2-1734035-3
	W/O	W/O	TAPE REEL	W/	2-1734035-2
△ A	W/O	N/A	TRAY	W/	2-1734035-1
	W/	W/O	TAPE REEL	W/	1734035-4
	W/O	W/	TAPE REEL	W/	1734035-3
	W/O	W/O	TAPE REEL	W/	1734035-2
W/O	N/A	TRAY	W/	1734035-1	
PLATED	MYLAR	LONG CARRIER & COVER TAPE	PACKAGE	POST	PART NUMBER

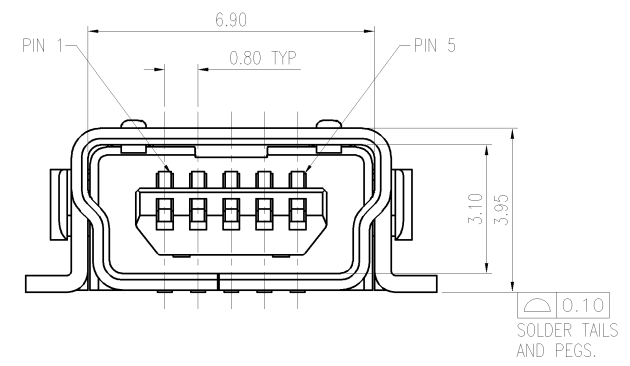
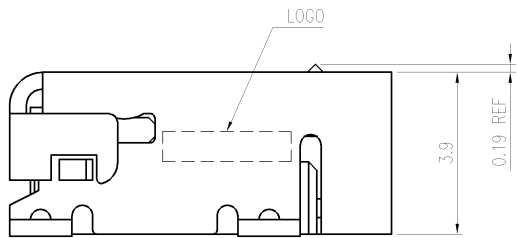
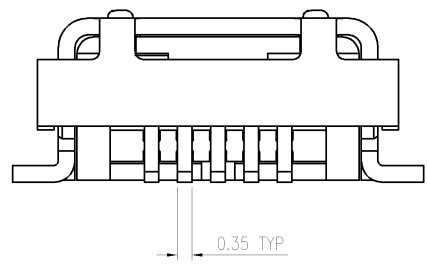
THIS DRAWING IS A CONTROLLED DOCUMENT.		DWN O. HU 21DEC2007	<b>STE</b> TE Connectivity		
DIMENSIONS: MM		CHK S. HOU 21DEC2007			
TOLERANCES UNLESS OTHERWISE SPECIFIED:		APVD W. KODAMA 21DEC2007	NAME		
<ul style="list-style-type: none"> <li>0 PLC ± 0.38</li> <li>1 PLC ± 0.25</li> <li>2 PLC ± 0.13</li> <li>3 PLC ± 0.05</li> <li>4 PLC ±</li> <li>PLC ANGLES ± ± 3'</li> </ul>		PRODUCT SPEC	MINI USB, R/A, SMT, B TYPE		
MATERIAL SEE NOTE		FINISH SEE NOTE	108-57062		
			QUALIFICATION TEST REPORT		
			501-57070		
			SIZE A3	CAGE CODE 00779	DRAWING NO C=1734035
			RESTRICTED TO		
			CUSTOMER DRAWING		
			SCALE	SHEET 1 of 4	REV E

THIS DRAWING IS UNPUBLISHED. RELEASED FOR PUBLICATION  
 © COPYRIGHT BY TYCO ELECTRONICS CORPORATION. ALL RIGHTS RESERVED.

LOC	DIST	REVISIONS					
DW	-	P	LTR	DESCRIPTION	DATE	DWN	APVD
				SEE SHEET 1.			



RECOMMENDED PCB LAYOUT (MOUNTING SIDE)  
 THICKNESS 1.57mm (TOLERANCE:±0.05)



NOTE:

- MATERIAL:  
 HOUSING: PA9T WITH 33% GF, UL 94V-0, BLACK COLOR.  
 CONTACTS: PHOSPHOR BRONZE.  
 SHELL: PHOSPHOR BRONZE.  
 MYLAR: POLYAMIDE FILM.
- FINISH:  
 CONTACTS: GOLD FLASH OVER  
 0.762µm [30µ"] MIN. PALLADIUM-NICKEL PLATED ON CONTACT AREA,  
 2.54µm [100µ"] MIN. MATTE-TIN ON SOLDER TAIL, WITH  
 ENTIRE CONTACT UNDERPLATED 1.27µm [50µ"] MIN. NICKEL.  
 SHELL: 2.03µm [80µ"] MIN. NICKEL PLATED OVERALL.
- NO DATECODE ON PRODUCT SURFACE.
- REFLOW SOLDER CAPABLE TO 260°C PER TE TEST SPEC.  
 109-201, CONDITION B.

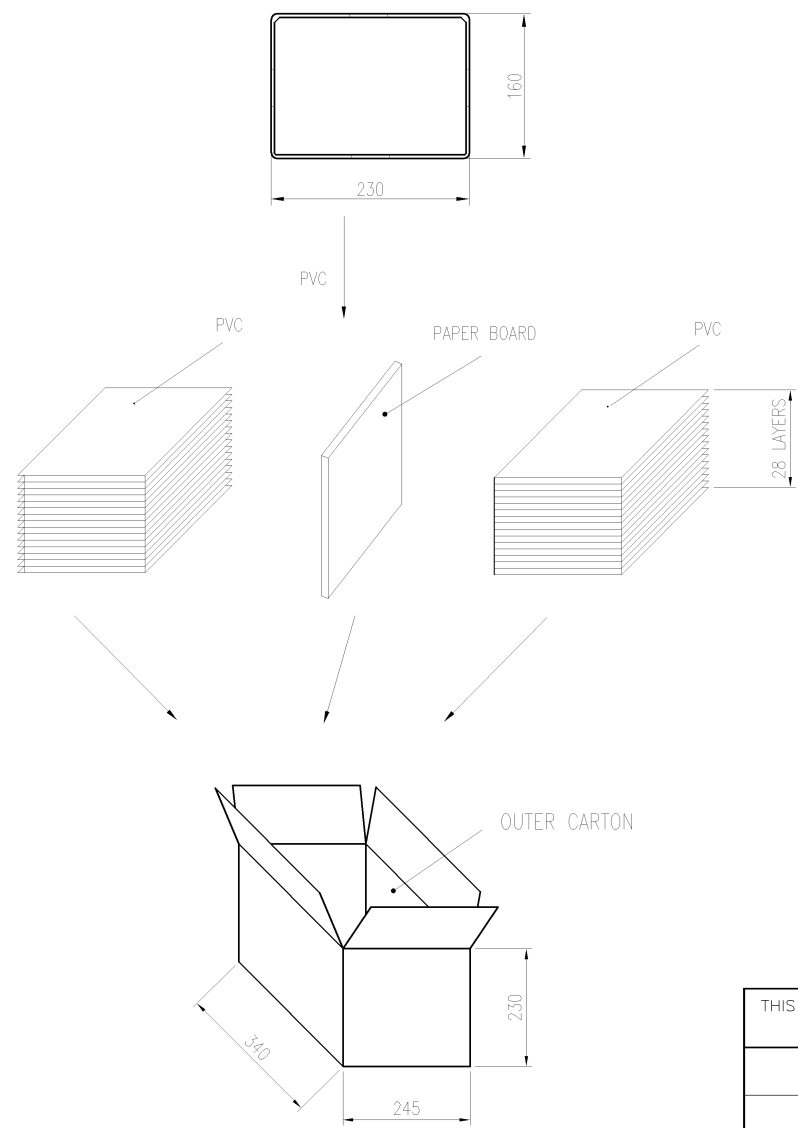
THIS DRAWING IS A CONTROLLED DOCUMENT.

DIMENSIONS: MM		TOLERANCES UNLESS OTHERWISE SPECIFIED:	
		0 PLC	± 0.38
		1 PLC	± 0.25
		2 PLC	± 0.13
		3 PLC	± 0.05
		4 PLC ANGLES	± 3'
MATERIAL	FINISH		
SEE NOTE	SEE NOTE		

DWN	<b>STE</b> TE Connectivity			
CHK				
APVD	NAME			
PRODUCT SPEC	MINI USB, R/A, SMT, B TYPE			
APPLICATION SPEC	SIZE	CAGE CODE	DRAWING NO	RESTRICTED TO
WEIGHT	A3	00779	C=1734035	-
CUSTOMER DRAWING	SCALE	SHEET	2 of 4	REV E

THIS DRAWING IS UNPUBLISHED. RELEASED FOR PUBLICATION  
 © COPYRIGHT BY TYCO ELECTRONICS CORPORATION. ALL RIGHTS RESERVED.

LOC	DIST	REVISIONS					
DW	-	P	LTR	DESCRIPTION	DATE	DWN	APVD
				SEE SHEET 1.			

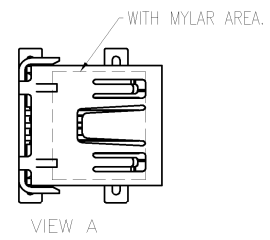
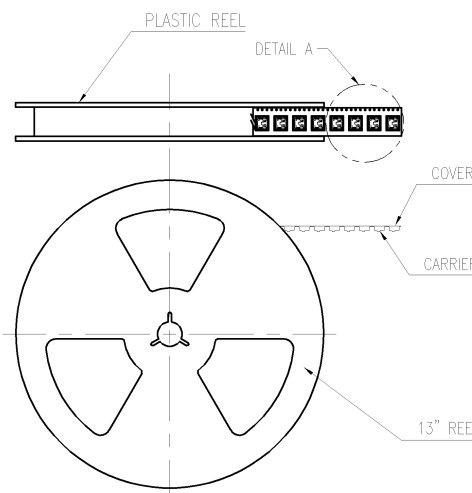


9.2 Kg	6.7 Kg	150	56	8400 PCS	2-1734035-1
					1-1734035-1
					1734035-1
GROSS WEIGHT	NET WEIGHT	PCS/TRAY	TRAYS /CARTON	QUANTITY	PART NUMBER

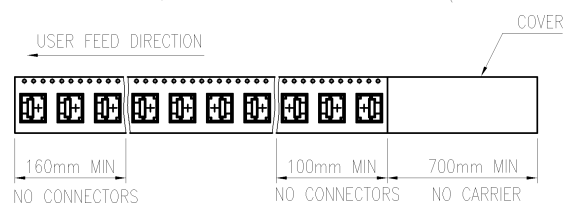
THIS DRAWING IS A CONTROLLED DOCUMENT.		DWN	<b>STE</b> TE Connectivity		
DIMENSIONS: MM		CHK			
TOLERANCES UNLESS OTHERWISE SPECIFIED:		APVD	NAME		
0 PLC ±		PRODUCT SPEC	MINI USB, R/A, SMT, B TYPE		
1 PLC ±		APPLICATION SPEC	SIZE	CAGE CODE	DRAWING NO
2 PLC ±		WEIGHT	A3	00779	C=1734035
3 PLC ±			RESTRICTED TO		
4 PLC ±			CUSTOMER DRAWING		
ANGLES ±			SCALE	SHEET	REV
FINISH			-	3 of 4	E

THIS DRAWING IS UNPUBLISHED. RELEASED FOR PUBLICATION  
 © COPYRIGHT BY TYCO ELECTRONICS CORPORATION. ALL RIGHTS RESERVED.

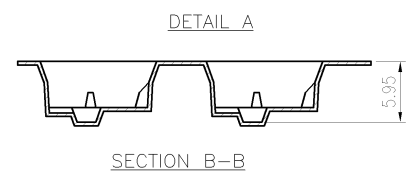
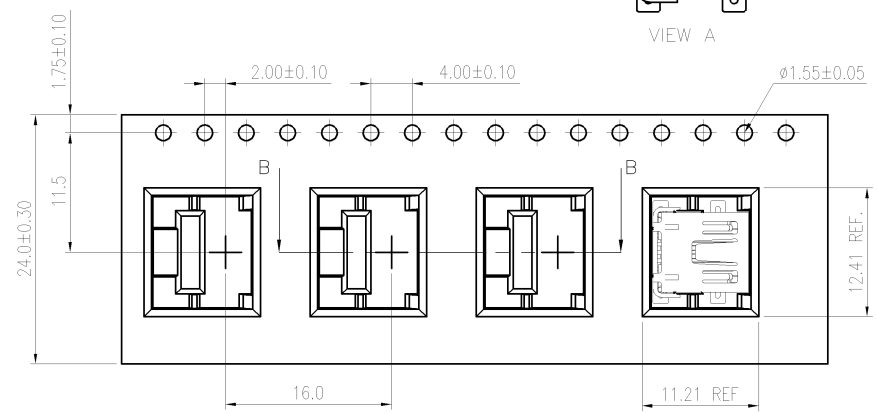
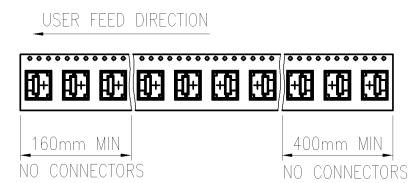
LOC	DIST	REVISIONS					
DW	-	P	LTR	DESCRIPTION	DATE	DWN	APVD
				SEE SHEET 1.			



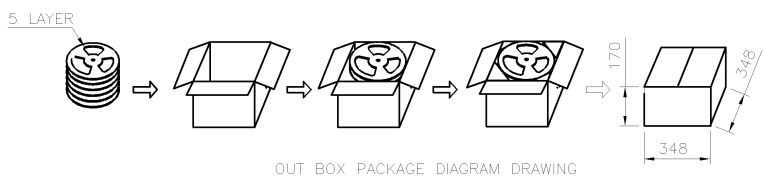
FOR 1734035-3, 1-1734035-3 AND 2-1734035-3 (LONG CARRIER & COVER TAPE)



FOR 1734035-2, 1734035-4, 1-1734035-2, 3-1734035-2, 2-1734035-2 AND 2-1734035-4 4-1734035-2



6.5 Kg	5.5 Kg	700	5	3500	W/	W/O	4-1734035-2
					W/O	W/O	3-1734035-2
					W/	W/O	2-1734035-4
					W/O	W/	2-1734035-3
					W/O	W/O	2-1734035-2
					W/O	W/	1-1734035-3
					W/O	W/O	1-1734035-2
					W/	W/O	1734035-4
					W/O	W/	1734035-3
W/O	W/O	1734035-2					
GROSS WEIGHT	NET WEIGHT	PCS/REER	REERS/CARTON	QUANTITY	MYLAR	LONG CARRIER & COVER TAPE	PART NUMBER



THIS DRAWING IS A CONTROLLED DOCUMENT.

DIMENSIONS: MM	TOLERANCES UNLESS OTHERWISE SPECIFIED:	DWN	 TE Connectivity MINI USB, R/A, SMT, B TYPE
	0 PLC ±	CHK	
	1 PLC ±	APVD	
	2 PLC ±	PRODUCT SPEC	
	3 PLC ±	APPLICATION SPEC	
MATERIAL	FINISH	WEIGHT	SIZE A3 CAGE CODE 00779 DRAWING NO C=1734035 RESTRICTED TO -
CUSTOMER DRAWING		SCALE	SHEET 4 of 4 REV E