



Chipsmall Limited consists of a professional team with an average of over 10 year of expertise in the distribution of electronic components. Based in Hongkong, we have already established firm and mutual-benefit business relationships with customers from,Europe,America and south Asia,supplying obsolete and hard-to-find components to meet their specific needs.

With the principle of “Quality Parts,Customers Priority,Honest Operation,and Considerate Service”,our business mainly focus on the distribution of electronic components. Line cards we deal with include Microchip,ALPS,ROHM,Xilinx,Pulse,ON,Everlight and Freescale. Main products comprise IC,Modules,Potentiometer,IC Socket,Relay,Connector.Our parts cover such applications as commercial,industrial, and automotives areas.

We are looking forward to setting up business relationship with you and hope to provide you with the best service and solution. Let us make a better world for our industry!



Contact us

Tel: +86-755-8981 8866 Fax: +86-755-8427 6832

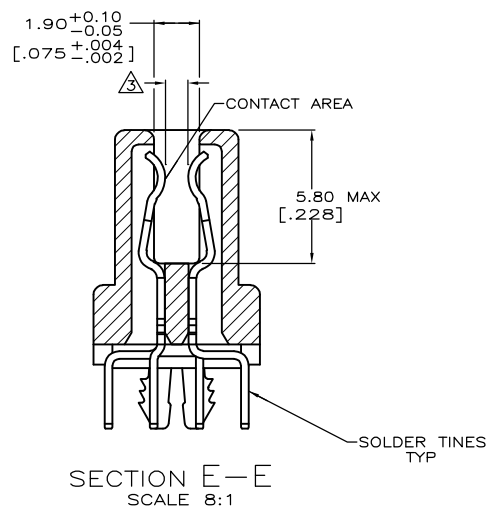
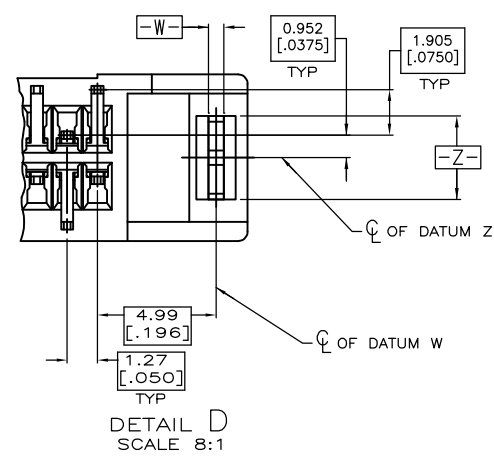
Email & Skype: info@chipsmall.com Web: www.chipsmall.com

Address: A1208, Overseas Decoration Building, #122 Zhenhua RD., Futian, Shenzhen, China

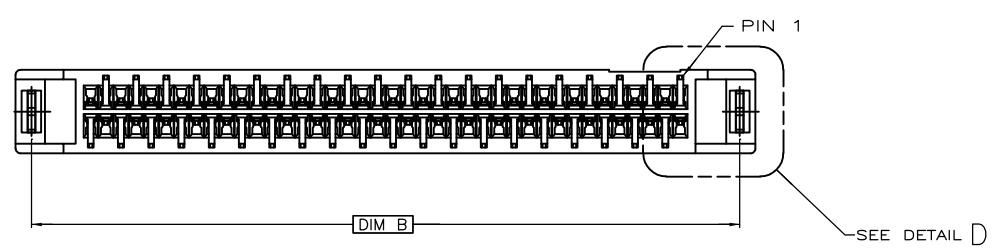
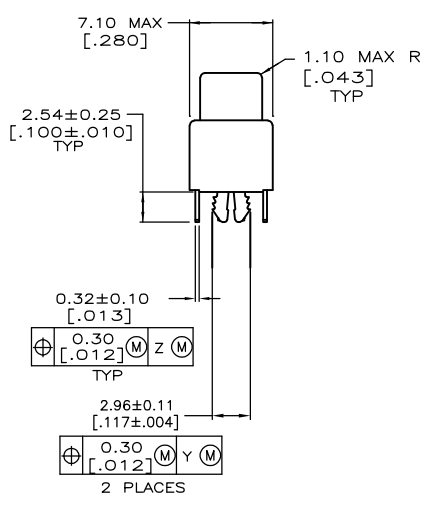
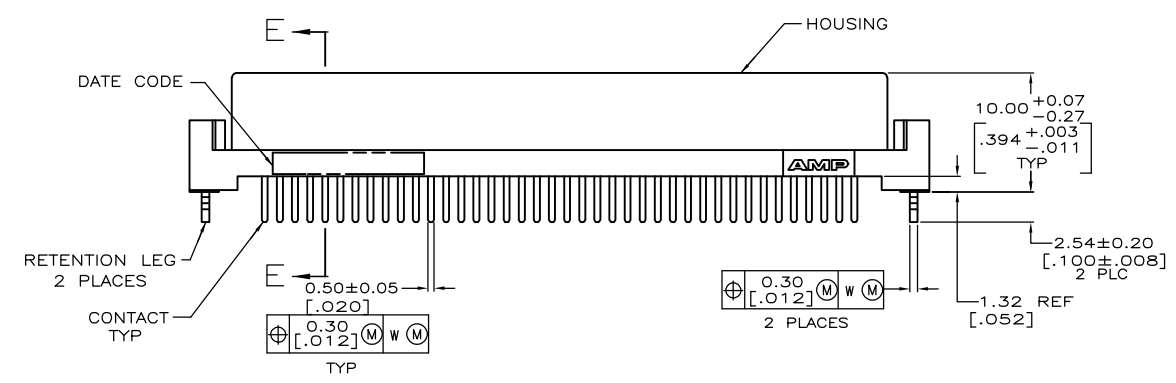
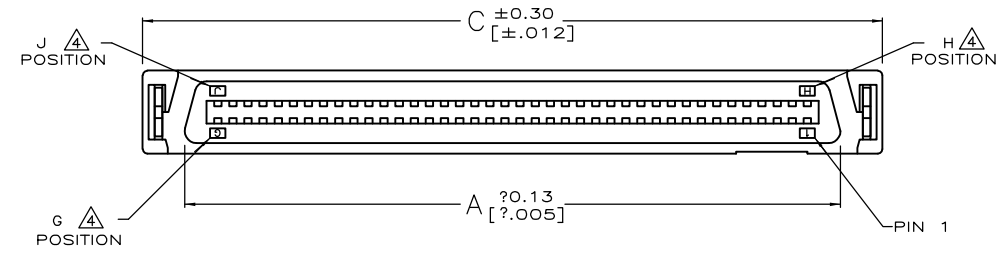


THIS DRAWING IS UNPUBLISHED. RELEASED FOR PUBLICATION
 © COPYRIGHT 2011 BY TYCO ELECTRONICS CORPORATION. ALL RIGHTS RESERVED.

LOC	DIST	REVISIONS					
		P	LTR	DESCRIPTION	DATE	DWN	APVD
DW			B1	REVISED PER ECR-12-013103	21MAR2013	K.M	E.T



- △ HOUSING: PPA RESIN, BLACK.
CONTACTS: PHOSPHOR BRONZE.
RETENTION LEG: BRASS.
- 2. CONNECTOR WILL ACCOMMODATE PRINTED CIRCUIT BOARD THICKNESS OF 0.79 TO 1.60 [.031 TO .063].
- △ CONNECTOR WILL ACCOMMODATE MATING PRINTED CIRCUIT BOARD OF 1.60±0.08 [.063±.003] THICKNESS.
- △ SEE TABLE G, J, AND H INDICATE NUMBER OF POSITIONS MARKED ON ASSEMBLY.
- △ CONTACTS: GOLD FLASH OVER
0.76µm [.000030] MIN PALLADIUM-NICKEL PLATING ON CONTACT AREA,
3.81µm [.000150] MIN MATTE TIN PLATING ON SOLDER TAILS,
1.27µm [.000050] MIN NICKEL UNDERPLATING OVERALL.
- △ RETENTION LEG: 3.81µm [.000150] MIN MATTE TIN OVER 1.27µm [.000050] MIN NICKEL.
- 7 WAVE SOLDER CAPABLE TO 265°C PER TE SPEC 109-202, CONDITION B.
- △ ALL DIMENSIONS SHOWN ARE MAXIMUM UNLESS OTHERWISE SPECIFIED.



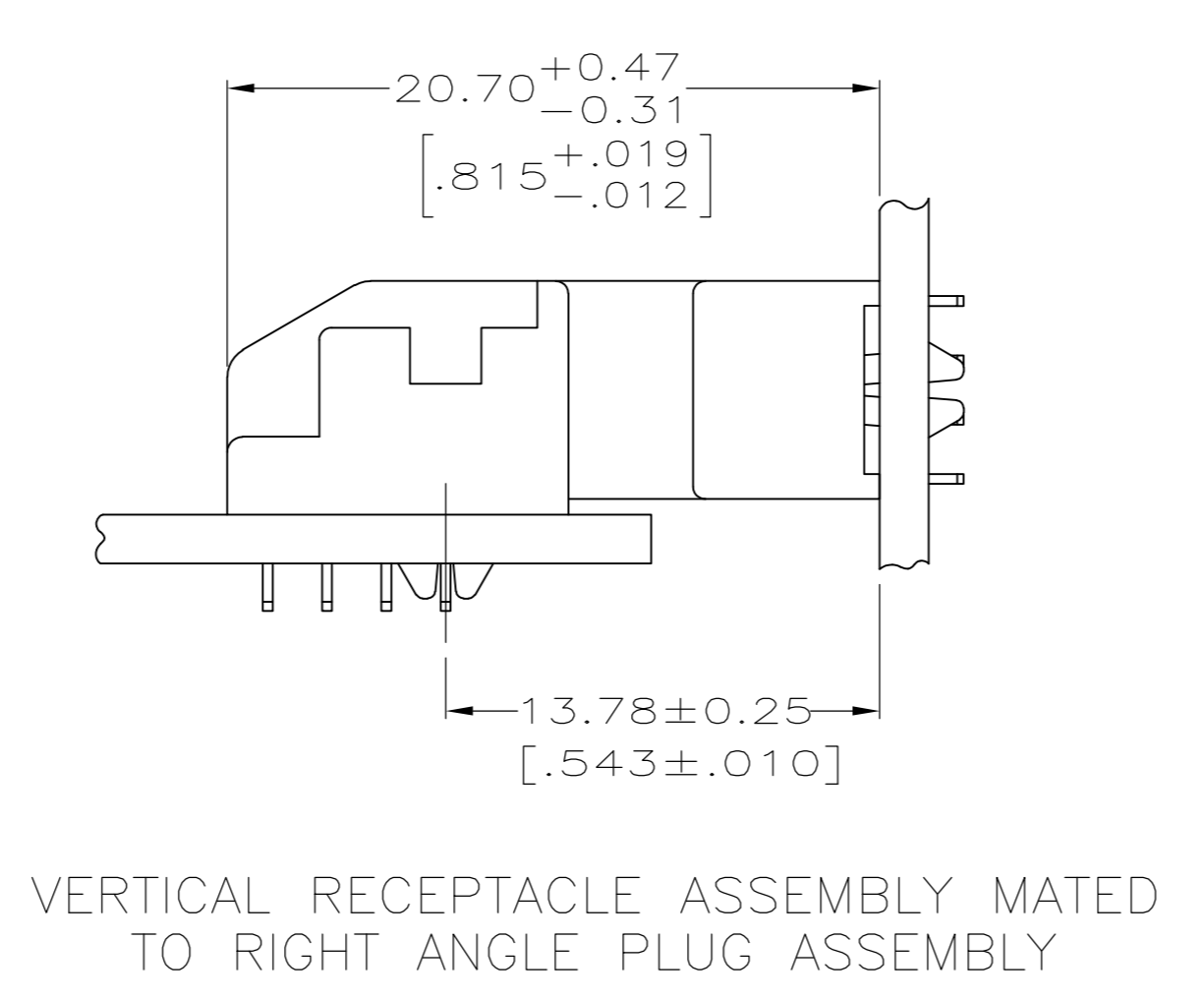
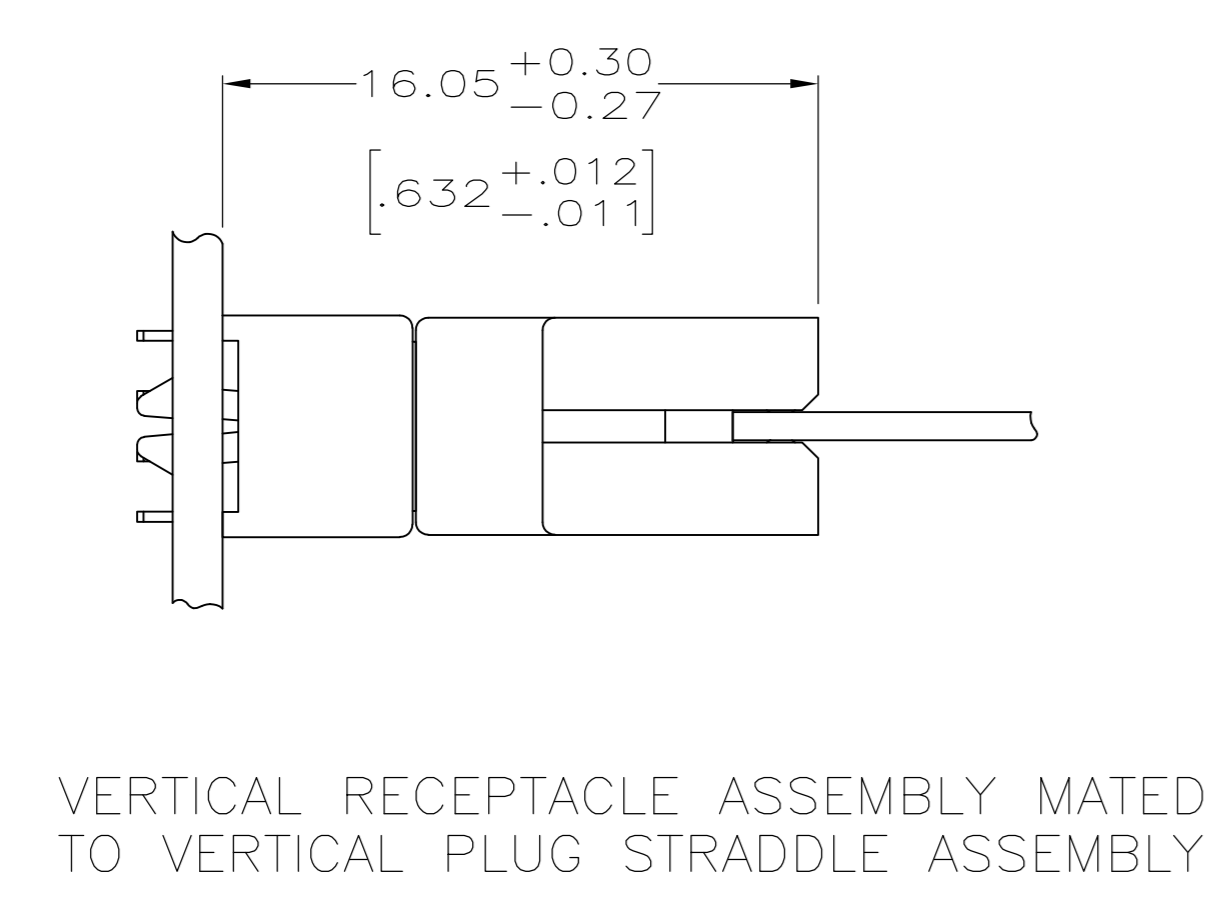
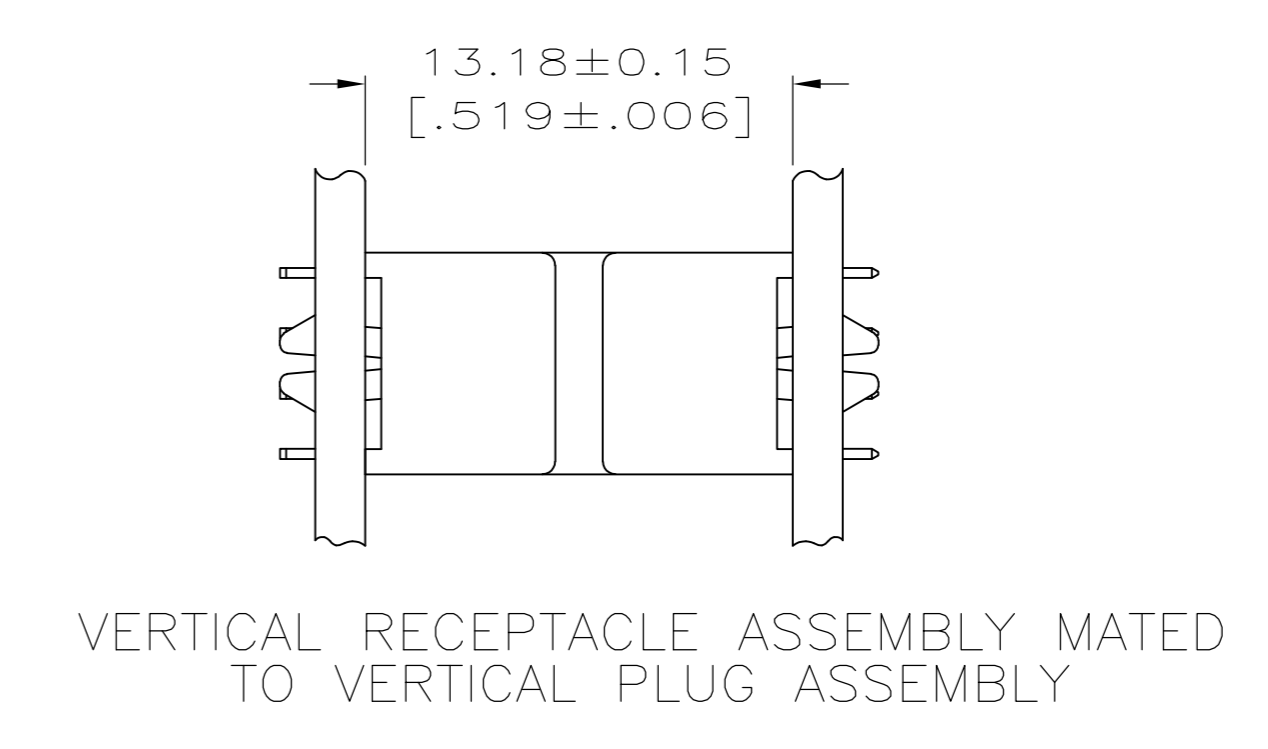
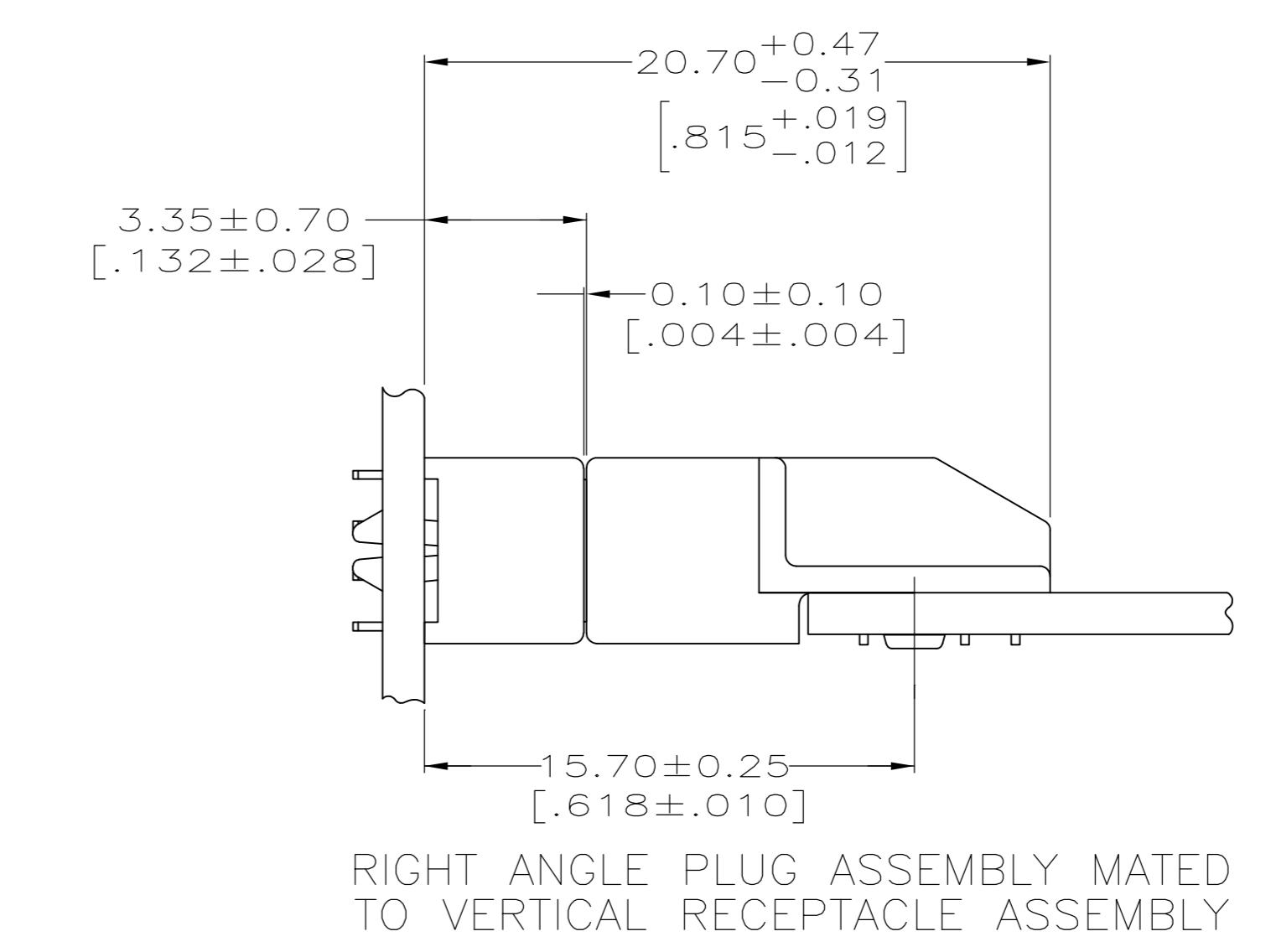
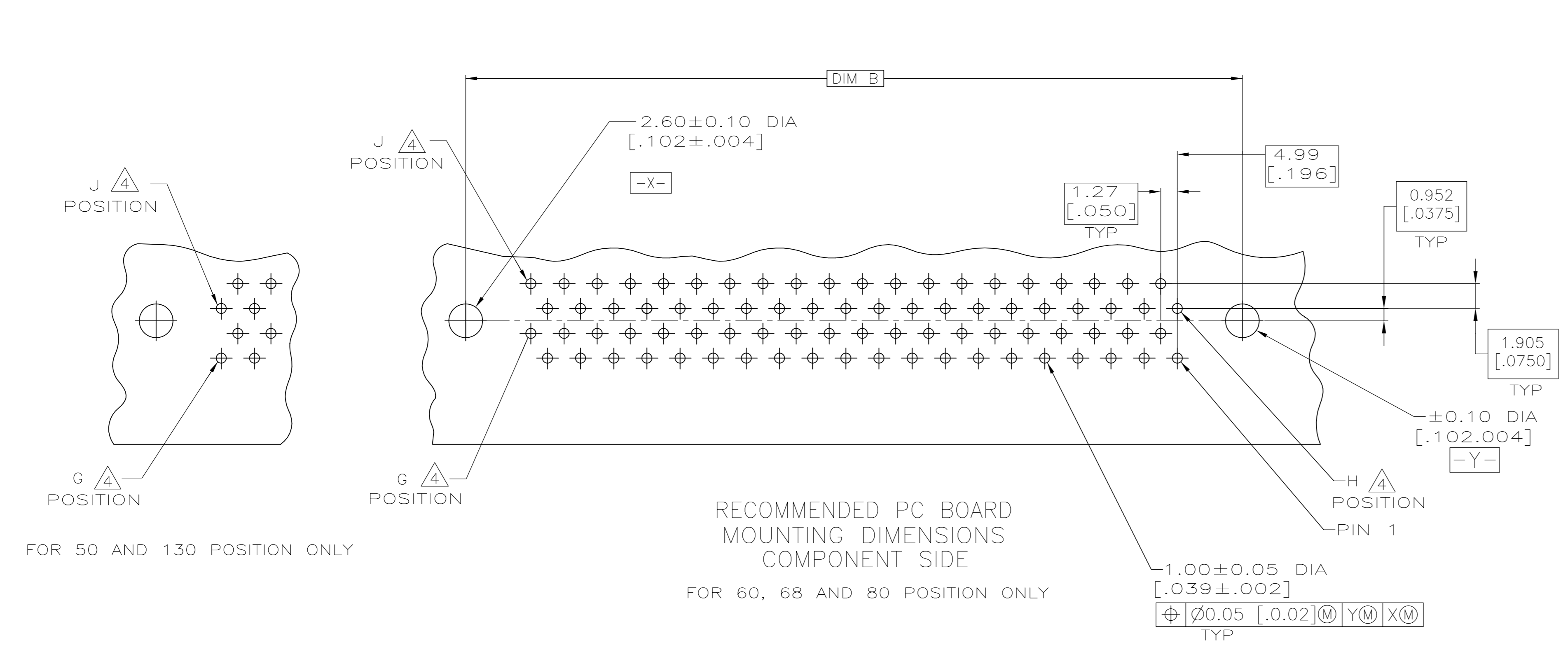
B1	OBsolete	130	66	65	93.90 [3.697]	91.26 [3.593]	86.82 [3.418]	△△	130	3-1734331-3
		80	41		62.22 [2.450]	59.51 [2.343]	55.07 [2.168]	△△	80	2-1734331-1
		68	35		54.57 [2.148]	51.89 [2.043]	47.45 [1.868]	△△	68	1-1734331-7
B1	OBsolete	50	26	25	43.10 [1.697]	40.46 [1.593]	36.02 [1.418]	△△	50	1734331-9
		J △	H △	G △	C	B	A	FINISH	POSTION	PART NUMBER

THIS DRAWING IS A CONTROLLED DOCUMENT.

DIMENSIONS: mm	TOLERANCES UNLESS OTHERWISE SPECIFIED:	DWN 0. HU 06JUN2006	TE Connectivity RECEPTACLE ASSEMBLY, V/T, BOARD-TO-BOARD, .050 SERIES I, CHAMP*
0 PLC ± -	1 PLC ± -	CHK S. HOU 06JUN2006	
2 PLC ± - △	3 PLC ± -	APVD W.J. KE 06JUN2006	
4 PLC ± -	ANGLES ± -	NAME	
MATERIAL SEE NOTE	FINISH SEE NOTE	PRODUCT SPEC 108-57876	SIZE A3
		APPLICATION SPEC	CAGE CODE 00779
		WEIGHT -	DRAWING NO C=1734331
		CUSTOMER DRAWING	RESTRICTED TO -
		SCALE -	SHEET 1 OF 3
			REV B1

THIS DRAWING IS UNPUBLISHED. RELEASED FOR PUBLICATION
 © COPYRIGHT 2011 BY TYCO ELECTRONICS CORPORATION. ALL RIGHTS RESERVED.

LOC		DIST		REVISIONS				
P	LTR	DESCRIPTION			DATE	DWN	APVD	
		SEE SHEET 1.						



THIS DRAWING IS A CONTROLLED DOCUMENT.		DWN	TE Connectivity RECEPTACLE ASSEMBLY, V/T, BOARD-TO-BOARD, .050 SERIES I, CHAMP*				
DIMENSIONS: mm		CHK					
		APVD					
TOLERANCES UNLESS OTHERWISE SPECIFIED:		PRODUCT SPEC					
0 PLC ± - 1 PLC ± - 2 PLC ± - 3 PLC ± - 4 PLC ± - ANGLES ± -		APPLICATION SPEC	SIZE	CAGE CODE	DRAWING NO	RESTRICTED TO	
MATERIAL		WEIGHT	A300779		C=1734331		
FINISH		CUSTOMER DRAWING	SCALE	SHEET	2 OF 3	REV	B1

4

3

2

1

THIS DRAWING IS UNPUBLISHED. RELEASED FOR PUBLICATION
 © COPYRIGHT 2011 BY TYCO ELECTRONICS CORPORATION. ALL RIGHTS RESERVED.

LOC DW
 DIST

REVISIONS				
P	LTR	DESCRIPTION	DATE	APVD
		SEE SHEET 1.		

D

D

C

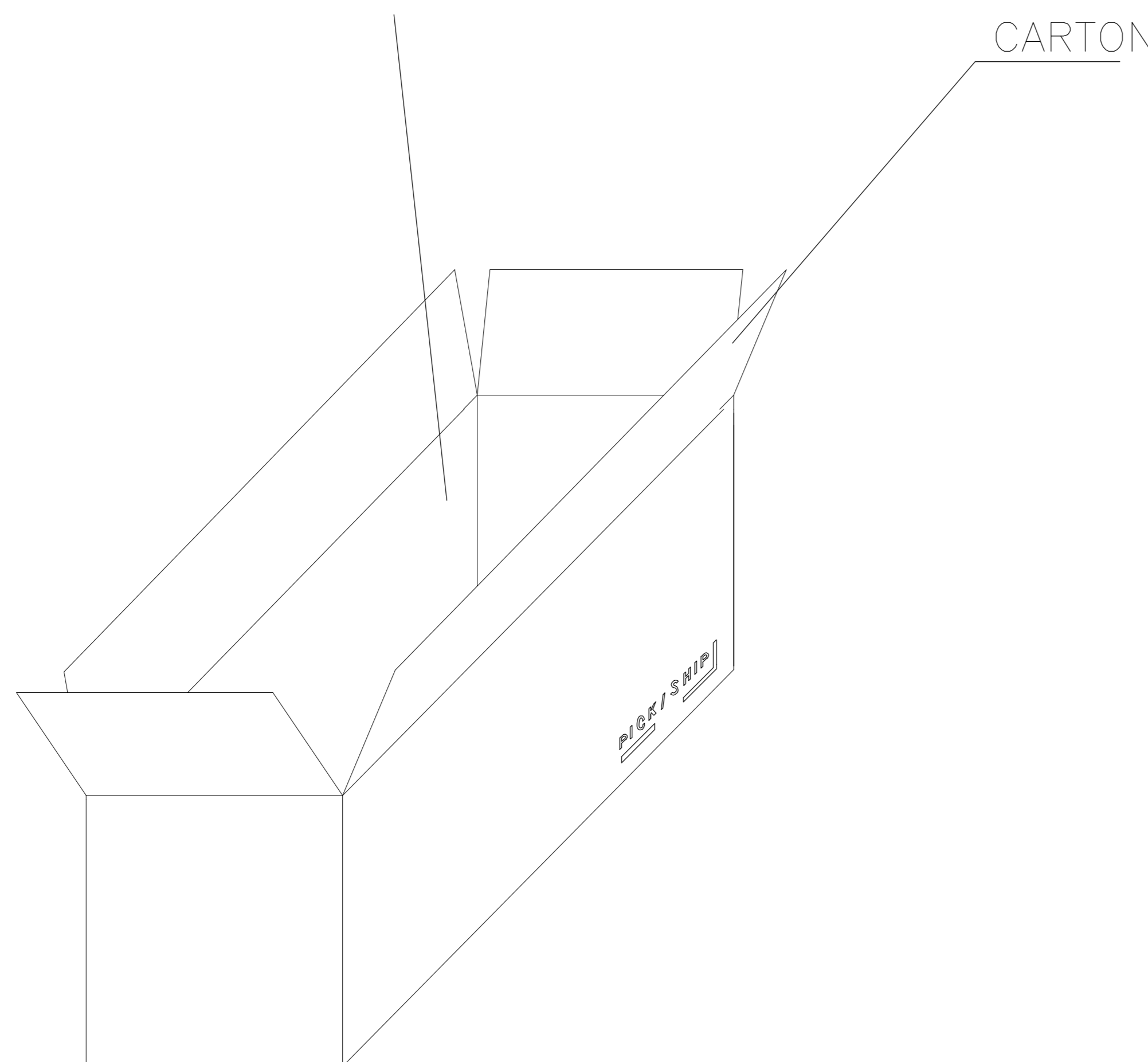
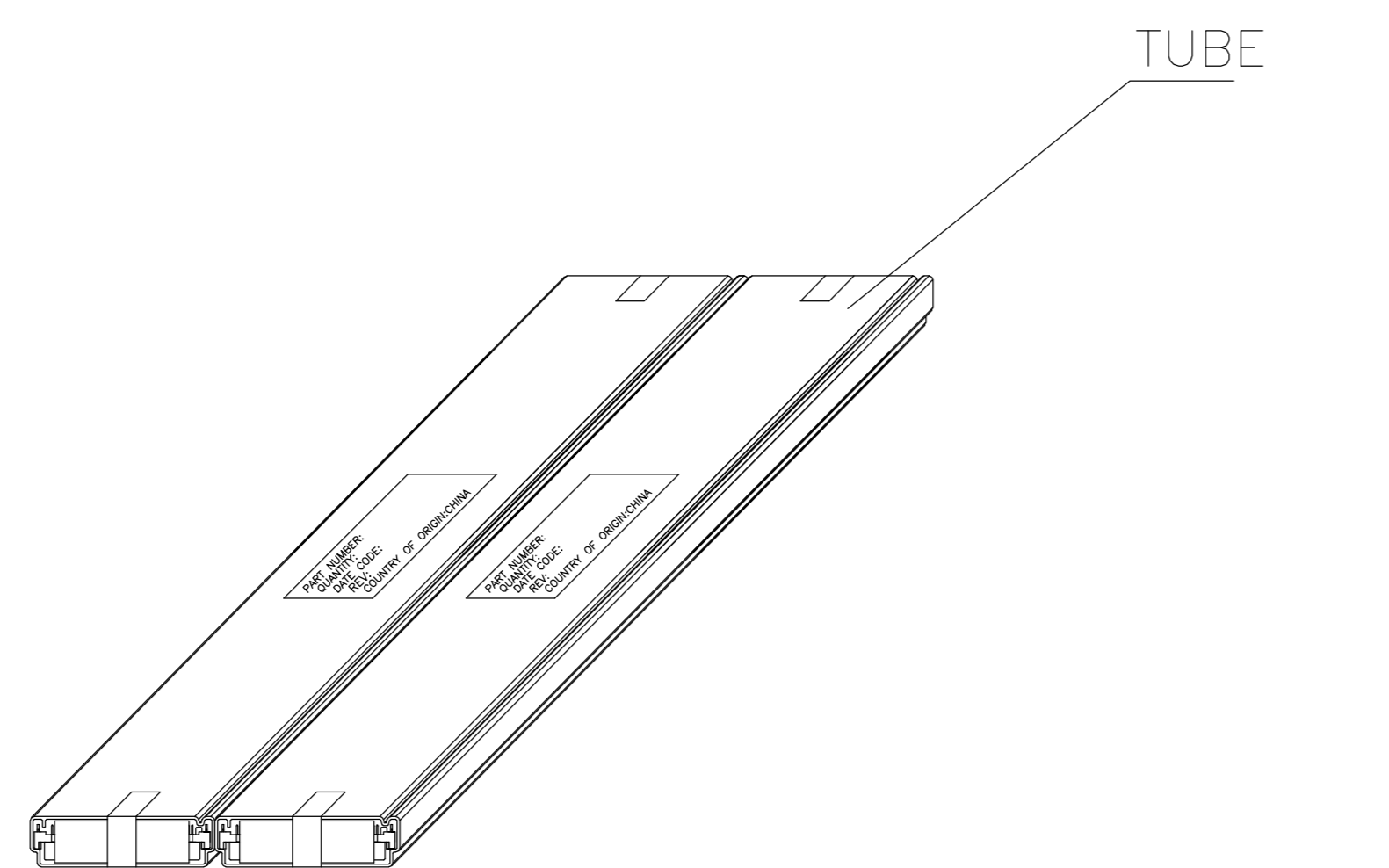
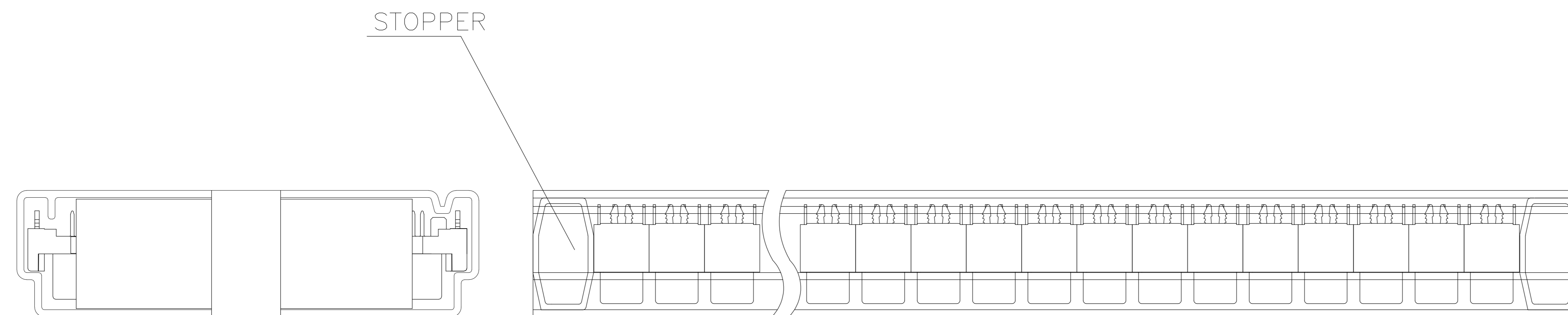
C

B

B

A

A



① OBSOLETE	4.74	3.55	54	8	432	3-1734331-3	130
	6.13	4.65	54	16	864	2-1734331-1	80
① OBSOLETE	5.01	3.52	54	16	864	1-1734331-7	68
	5.79	4.15	54	24	1296	1734331-9	50
	G.W./CARTON (KG)	N.W./CARTON (KG)	PCS/TUBE	TUBES/CARTON	QUANTITY/CARTON (PCS)	PART NUMBER	POS.

THIS DRAWING IS A CONTROLLED DOCUMENT.		DWN	TE Connectivity RECEPTACLE ASSEMBLY, V/T, BOARD-TO-BOARD, .050 SERIES I, CHAMP*					
DIMENSIONS: mm		CHK						NAME
		APVD						PRODUCT SPEC
TOLERANCES UNLESS OTHERWISE SPECIFIED:		APVD	APPLICATION SPEC	SIZE	CAGE CODE	DRAWING NO	RESTRICTED TO	
0 PLC ± -		WEIGHT		A3	00779	C-1734331	-	
1 PLC ± -		CUSTOMER DRAWING		SCALE	SHEET	REV		
2 PLC ± -				-	3 OF 3	B1		
3 PLC ± -								
4 PLC ± -								
ANGLES ± -								
FINISH								