



Chipsmall Limited consists of a professional team with an average of over 10 year of expertise in the distribution of electronic components. Based in Hongkong, we have already established firm and mutual-benefit business relationships with customers from,Europe,America and south Asia,supplying obsolete and hard-to-find components to meet their specific needs.

With the principle of “Quality Parts,Customers Priority,Honest Operation,and Considerate Service”,our business mainly focus on the distribution of electronic components. Line cards we deal with include Microchip,ALPS,ROHM,Xilinx,Pulse,ON,Everlight and Freescale. Main products comprise IC,Modules,Potentiometer,IC Socket,Relay,Connector.Our parts cover such applications as commercial,industrial, and automotives areas.

We are looking forward to setting up business relationship with you and hope to provide you with the best service and solution. Let us make a better world for our industry!



Contact us

Tel: +86-755-8981 8866 Fax: +86-755-8427 6832

Email & Skype: info@chipsmall.com Web: www.chipsmall.com

Address: A1208, Overseas Decoration Building, #122 Zhenhua RD., Futian, Shenzhen, China



4

3

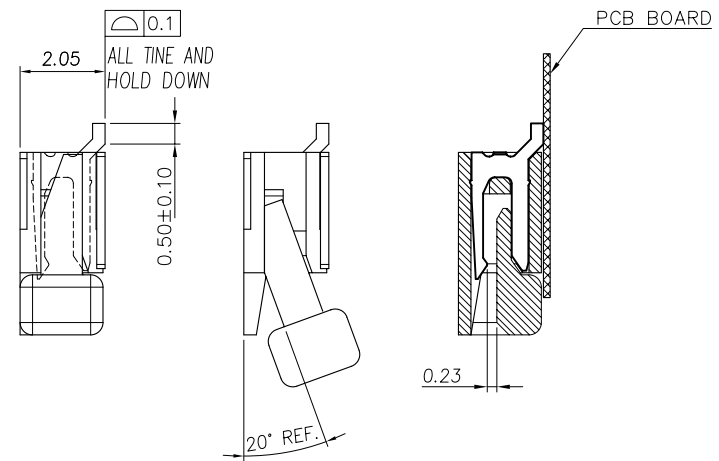
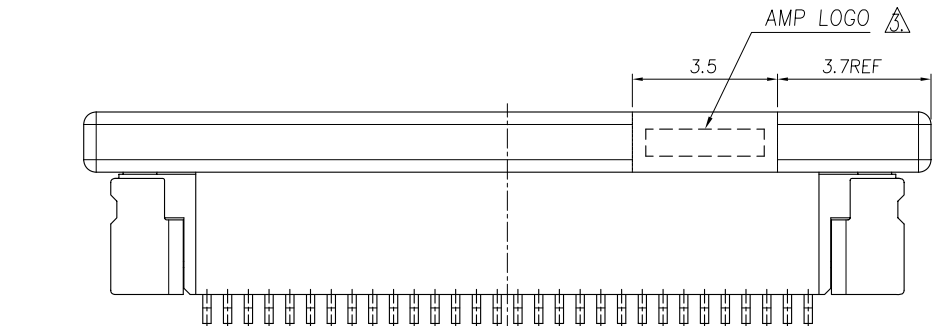
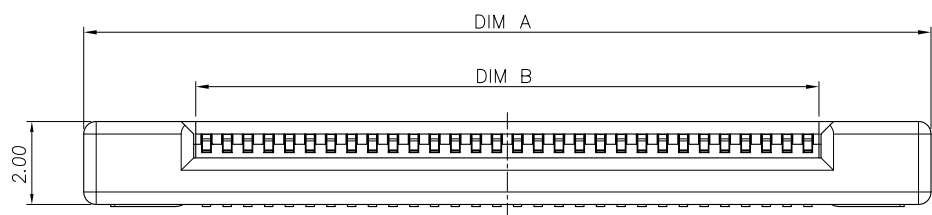
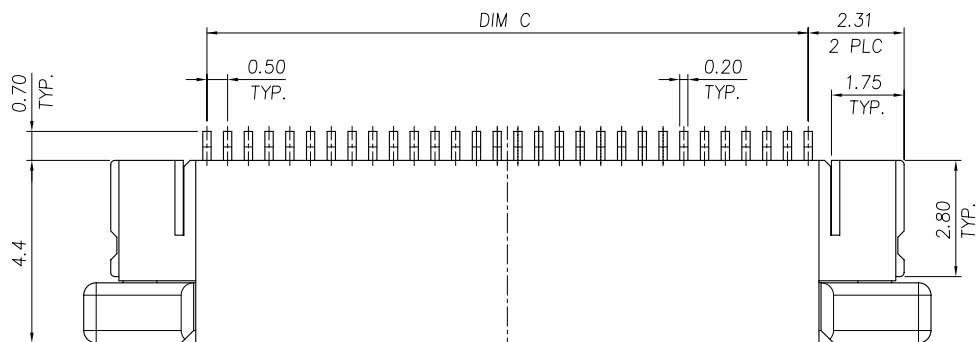
2

1

THIS DRAWING IS UNPUBLISHED. RELEASED FOR PUBLICATION AUG 2006

© COPYRIGHT BY TYCO ELECTRONICS CORPORATION. ALL RIGHTS RESERVED.

LOC	DIST	REVISIONS			
P	LTR	DESCRIPTION	DATE	DWN	APVD
DW	-	B	REVISED (ECR-11-013018)	08JUL11	JL WK

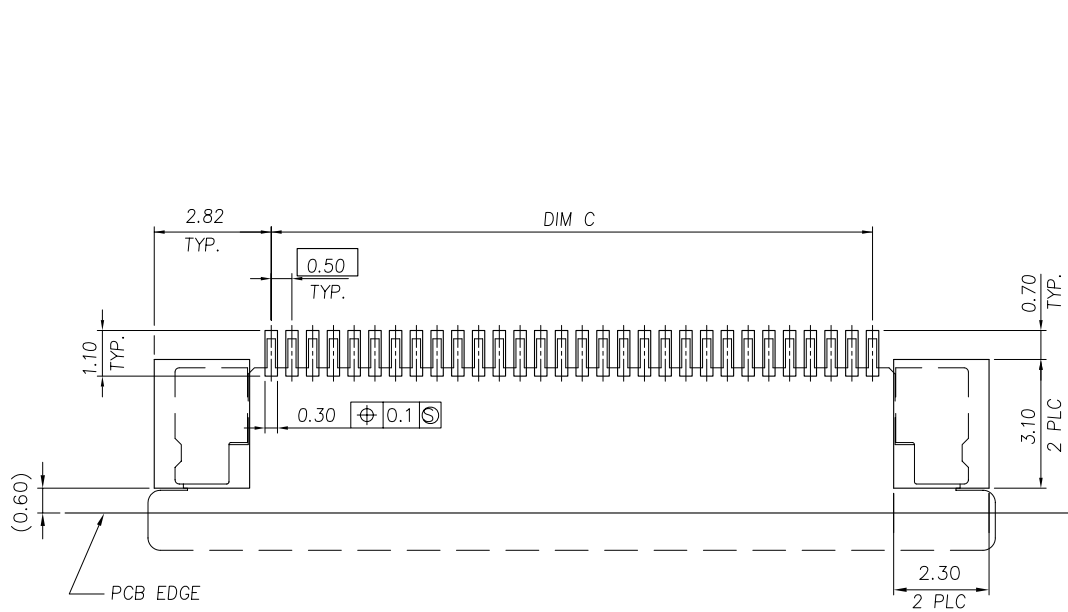


24.50	25.60	30.43	50	5-1734839-0
24.00	25.10	29.93	49	4-1734839-9
23.50	24.60	29.43	48	4-1734839-8
23.00	24.10	28.93	47	4-1734839-7
22.50	23.60	28.43	46	4-1734839-6
22.00	23.10	27.63	45	4-1734839-5
21.50	22.60	27.43	44	4-1734839-4
21.00	22.10	26.93	43	4-1734839-3
20.50	21.60	26.43	42	4-1734839-2
20.00	21.10	25.93	41	4-1734839-1
19.50	20.60	25.43	40	4-1734839-0
19.00	20.10	24.93	39	3-1734839-9
18.50	19.60	24.43	38	3-1734839-8
18.00	19.10	23.93	37	3-1734839-7
17.50	18.60	23.43	36	3-1734839-6
17.00	18.10	22.93	35	3-1734839-5
16.50	17.60	22.43	34	3-1734839-4
16.00	17.10	21.93	33	3-1734839-3
15.50	16.60	21.43	32	3-1734839-2
15.00	16.10	20.93	31	3-1734839-1
14.50	15.60	20.43	30	3-1734839-0
14.00	15.10	19.93	29	2-1734839-9
13.50	14.60	19.43	28	2-1734839-8
13.00	14.10	18.93	27	2-1734839-7
12.50	13.60	18.43	26	2-1734839-6
12.00	13.10	17.93	25	2-1734839-5
11.50	12.60	17.43	24	2-1734839-4
11.00	12.10	16.93	23	2-1734839-3
10.50	11.60	16.43	22	2-1734839-2
10.00	11.10	15.93	21	2-1734839-1
9.50	10.60	15.43	20	2-1734839-0
9.00	10.10	14.93	19	1-1734839-9
8.50	9.60	14.43	18	1-1734839-8
8.00	9.10	13.93	17	1-1734839-7
7.50	8.60	13.43	16	1-1734839-6
7.00	8.10	12.93	15	1-1734839-5
6.50	7.60	12.43	14	1-1734839-4
6.00	7.10	11.93	13	1-1734839-3
5.50	6.60	11.43	12	1-1734839-2
5.00	6.10	10.93	11	1-1734839-1
4.50	5.60	10.43	10	1-1734839-0
4.00	5.10	9.93	09	0-1734839-9
3.50	4.60	9.43	08	0-1734839-8
3.00	4.10	8.93	07	0-1734839-7
2.50	3.60	8.43	06	0-1734839-6
2.00	3.10	7.93	05	0-1734839-5
C	B	A	POS.	PART NUMBER
DIMENSIONS				

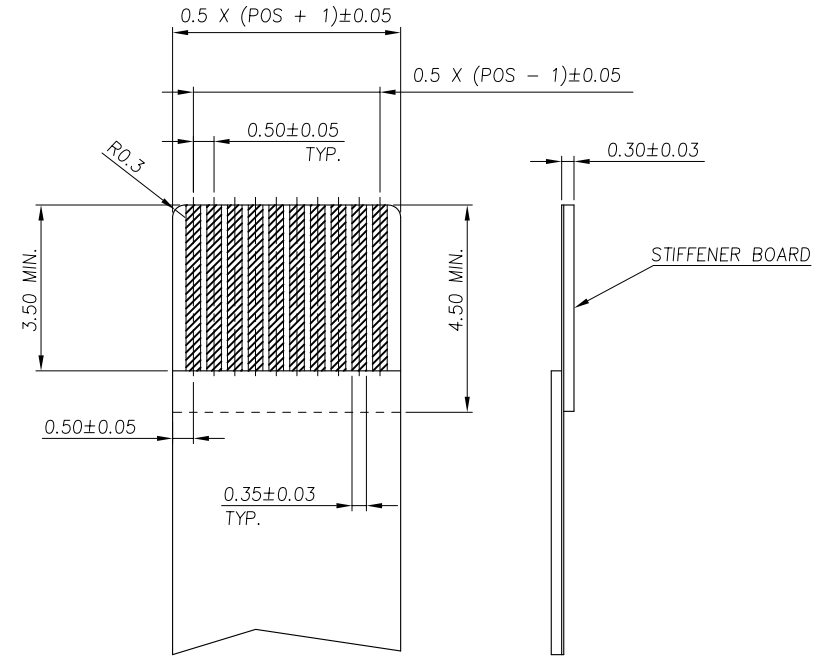
NOTE:
 1. MATERIAL:
 HOUSING: HIGH TEMP. THERMOPLASTIC, UL 94V-0, COLOR: NATURE.
 ACTUATOR: THERMOPLASTIC, UL 94 V-0, COLOR: IVORY.
 HOLD DOWN: PHOSPHOR BRONZE.
 CONTACT: PHOSPHOR BRONZE.
 2. FINISH:
 CONTACT: GOLD FLASH OVER ALL 50" MIN. NICKEL UNDERPLATED.
 HOLD DOWN: 100u" MIN. TIN PLATING ON SOLDER AREA, 50u" MIN. NICKEL UNDERPLATED ALL OVER.
 ⚠ WITHOUT AMP LOGO FOR 12 POSITION UNDER.

THIS DRAWING IS A CONTROLLED DOCUMENT.		DWN J. LAI 15APR2009	STE TE Connectivity															
		CHK S. CHIEN 15APR2009																
DIMENSIONS: MM		APVD W. KODAMA 15APR2009	NAME															
TOLERANCES UNLESS OTHERWISE SPECIFIED:		PRODUCT SPEC 108-57523	FPC CONNECTOR, 0.5mm PITCH, TOP CONTACT, SMT TYPE.															
<table border="1"> <tr><td>0 PLC</td><td>± 0.1</td></tr> <tr><td>1 PLC</td><td>± 0.1</td></tr> <tr><td>2 PLC</td><td>± 0.1</td></tr> <tr><td>3 PLC</td><td>± 0.1</td></tr> <tr><td>4 PLC</td><td>± 0.1</td></tr> <tr><td>ANGLES</td><td>± 1°</td></tr> </table>		0 PLC	± 0.1	1 PLC	± 0.1	2 PLC	± 0.1	3 PLC	± 0.1	4 PLC	± 0.1	ANGLES	± 1°	QUALIFICATION TEST REPORT 501-57598	SIZE	CAGE CODE	DRAWING NO	RESTRICTED TO
0 PLC	± 0.1																	
1 PLC	± 0.1																	
2 PLC	± 0.1																	
3 PLC	± 0.1																	
4 PLC	± 0.1																	
ANGLES	± 1°																	
MATERIAL SEE NOTE		WEIGHT - GRAMS	A3	00779	C=1734839	-												
FINISH SEE NOTE		CUSTOMER DRAWING		SCALE	SHEET	REV												
				-	1 of 3	B												

LOC	DIST	REVISIONS			
P	LTR	DESCRIPTION	DATE	DWN	APVD
DW		SEE SHEET 1.			



RECOMMENDED PCB DIMENSIONS DIAGRAM
 TOLERANCE: ±0.05



RECOMMENDED FPC DIMENSIONS DIAGRAM

THIS DRAWING IS A CONTROLLED DOCUMENT.		DWN	STE TE Connectivity		
DIMENSIONS: MM		CHK			
TOLERANCES UNLESS OTHERWISE SPECIFIED:		APVD	NAME		
0 PLC	± -	PRODUCT SPEC	FPC CONNECTOR, 0.5mm PITCH, TOP CONTACT, SMT TYPE.		
1 PLC	± -	APPLICATION SPEC	SIZE	CAGE CODE	DRAWING NO
2 PLC	± -	WEIGHT	A3	00779	G=1734839
3 PLC	± -	CUSTOMER DRAWING	SCALE	SHEET	REV
4 PLC	± -			2 of 3	B
ANGLES	± -				

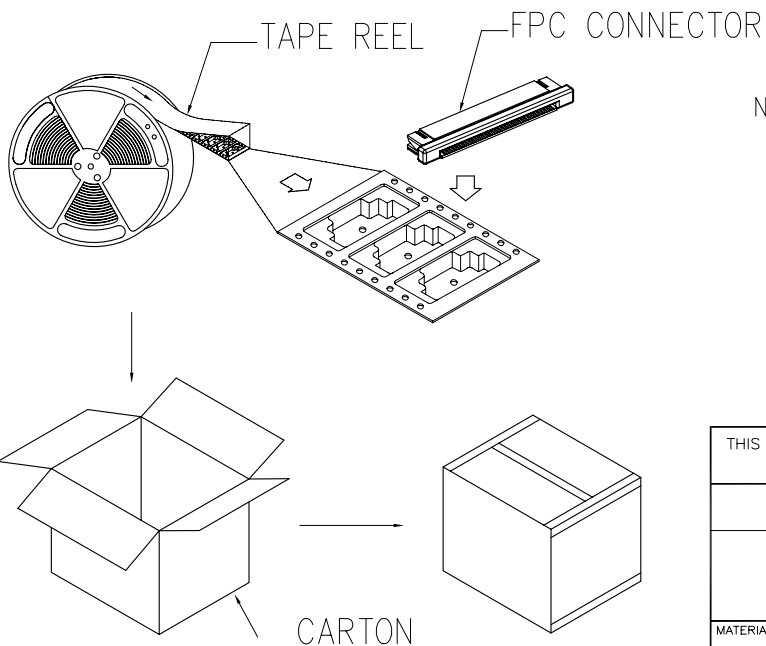
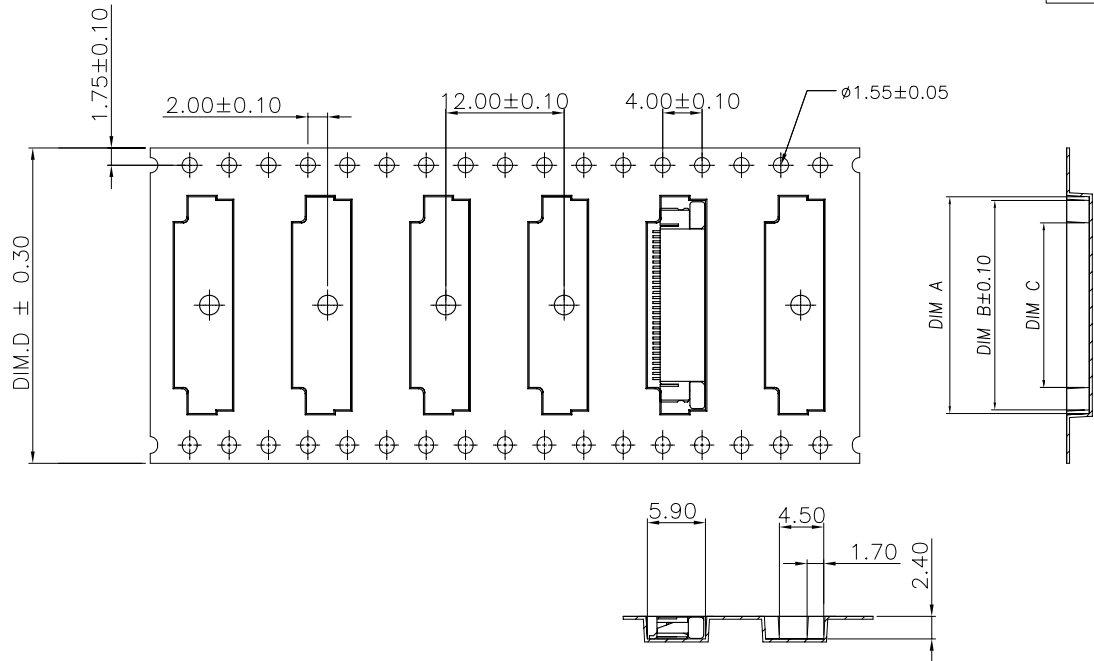
THIS DRAWING IS UNPUBLISHED. RELEASED FOR PUBLICATION AUG, 2006.

© COPYRIGHT BY TYCO ELECTRONICS CORPORATION. ALL RIGHTS RESERVED.

LOC DW DIST

REVISIONS

P	LTR	DESCRIPTION	DATE	DWN	APVD
		SEE SHEET 1.			



NOTE :

1. TAPE REEL:
DIAMETER: 13", THICKNESS : 0.35±0.05mm.
2. CARTON:
SIZE: 350mm(L)X 350mm(W)X 340mm(H).
3. WEIGHT:
NET WEIGHT: 7.5kg
GROSS WEIGHT: 13.4kg

APQ (PCS/CARTON)	PPQ (PCS/REEL)	DIMENSIONS				POS.	PART NUMBER
		D	C	B	A		
44.00	26.70	30.55	31.50	50	5	1734839-0	
44.00	26.20	30.05	31.00	49	4	1734839-9	
44.00	25.70	29.55	30.50	48	4	1734839-8	
44.00	25.20	29.05	30.00	47	4	1734839-7	
44.00	24.70	28.55	29.50	46	4	1734839-6	
44.00	24.20	28.05	29.00	45	4	1734839-5	
44.00	23.70	27.55	28.50	44	4	1734839-4	
44.00	23.20	27.05	28.00	43	4	1734839-3	
44.00	22.70	26.55	27.50	42	4	1734839-2	
44.00	22.20	26.05	27.00	41	4	1734839-1	
44.00	21.70	25.55	26.50	40	4	1734839-0	
44.00	21.20	25.05	26.00	39	3	1734839-9	
44.00	20.70	24.55	25.50	38	3	1734839-8	
44.00	20.20	24.05	25.00	37	3	1734839-7	
44.00	19.70	23.55	24.50	36	3	1734839-6	
44.00	19.20	23.05	24.00	35	3	1734839-5	
44.00	18.70	22.55	23.50	34	3	1734839-4	
44.00	18.20	22.05	23.00	33	3	1734839-3	
44.00	17.70	21.55	22.50	32	3	1734839-2	
44.00	17.20	21.05	22.00	31	3	1734839-1	
32.00	16.70	20.55	21.50	30	3	1734839-0	
32.00	16.20	20.05	21.00	29	2	1734839-9	
32.00	15.70	19.55	20.50	28	2	1734839-8	
32.00	15.20	19.05	20.00	27	2	1734839-7	
32.00	14.70	18.55	19.50	26	2	1734839-6	
32.00	14.20	18.05	19.00	25	2	1734839-5	
32.00	13.70	17.55	18.50	24	2	1734839-4	
32.00	13.20	17.05	18.00	23	2	1734839-3	
32.00	12.70	16.55	17.50	22	2	1734839-2	
32.00	12.20	16.05	17.00	21	2	1734839-1	
24.00	11.70	15.55	16.50	20	2	1734839-0	
24.00	11.20	15.05	16.00	19	1	1734839-9	
24.00	10.70	14.55	15.50	18	1	1734839-8	
24.00	10.20	14.05	15.00	17	1	1734839-7	
24.00	9.70	13.55	14.50	16	1	1734839-6	
24.00	9.20	13.05	14.00	15	1	1734839-5	
24.00	8.70	12.55	13.50	14	1	1734839-4	
24.00	8.20	12.05	13.00	13	1	1734839-3	
24.00	7.70	11.55	12.50	12	1	1734839-2	
24.00	7.20	11.05	12.00	11	1	1734839-1	
24.00	6.70	10.55	11.50	10	1	1734839-0	
24.00	6.20	10.05	11.00	09	0	1734839-9	
24.00	5.70	9.55	10.50	08	0	1734839-8	
24.00	5.20	9.05	10.00	07	0	1734839-7	
24.00	4.70	8.55	9.50	06	0	1734839-6	
24.00	4.20	8.05	9.00	05	0	1734839-5	

THIS DRAWING IS A CONTROLLED DOCUMENT.

DIMENSIONS: MM	TOLERANCES UNLESS OTHERWISE SPECIFIED:	DWN	CHK	APVD	NAME
0 PLC ± -	1 PLC ± -	PRODUCT SPEC	APVD	NAME	FPC CONNECTOR, 0.5mm PITCH, TOP CONTACT, SMT TYPE.
2 PLC ± -	3 PLC ± -	APPLICATION SPEC	APVD	NAME	
4 PLC ± -	ANGLES ± -	WEIGHT	APVD	NAME	SIZE CAGE CODE DRAWING NO RESTRICTED TO
MATERIAL	FINISH	CUSTOMER DRAWING	SCALE	SHEET 3 OF 3	REV B

STE TE Connectivity

A3 00779 C=1734839