



Chipsmall Limited consists of a professional team with an average of over 10 year of expertise in the distribution of electronic components. Based in Hongkong, we have already established firm and mutual-benefit business relationships with customers from,Europe,America and south Asia,supplying obsolete and hard-to-find components to meet their specific needs.

With the principle of “Quality Parts,Customers Priority,Honest Operation,and Considerate Service”,our business mainly focus on the distribution of electronic components. Line cards we deal with include Microchip,ALPS,ROHM,Xilinx,Pulse,ON,Everlight and Freescale. Main products comprise IC,Modules,Potentiometer,IC Socket,Relay,Connector.Our parts cover such applications as commercial,industrial, and automotives areas.

We are looking forward to setting up business relationship with you and hope to provide you with the best service and solution. Let us make a better world for our industry!



Contact us

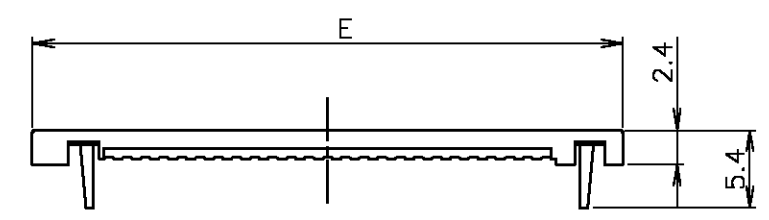
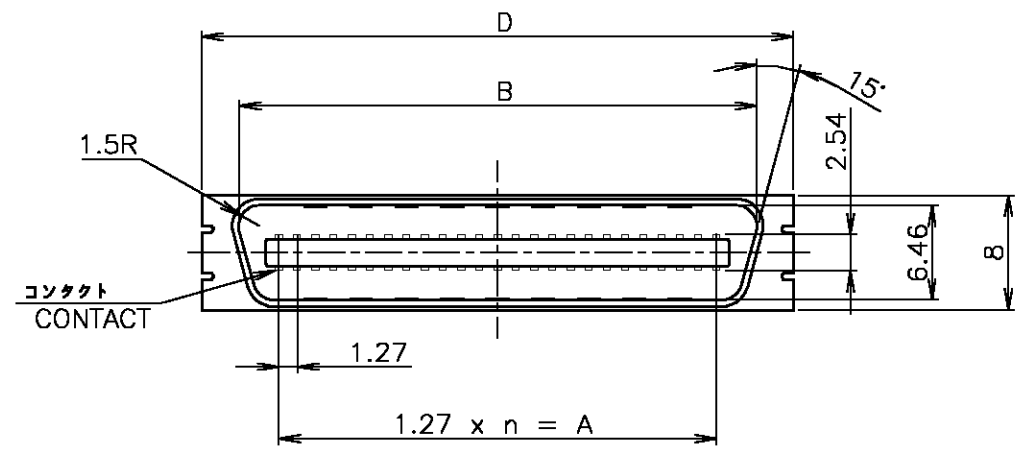
Tel: +86-755-8981 8866 Fax: +86-755-8427 6832

Email & Skype: info@chipsmall.com Web: www.chipsmall.com

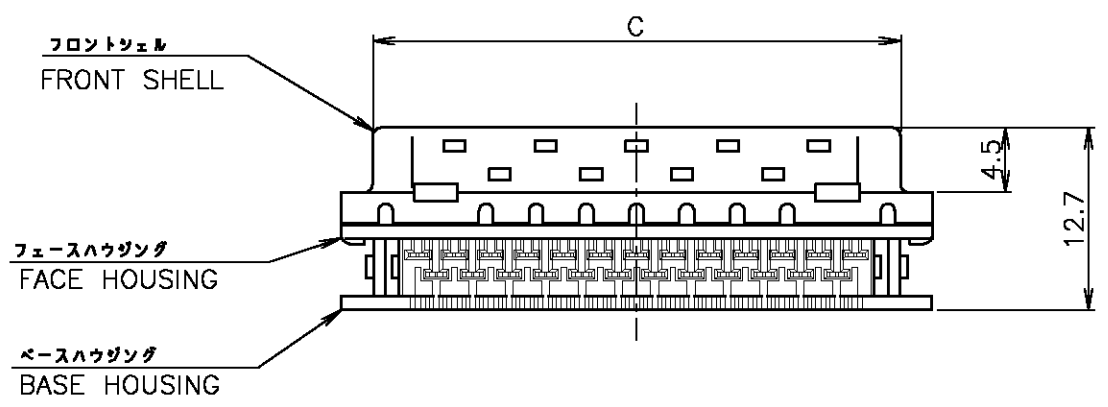
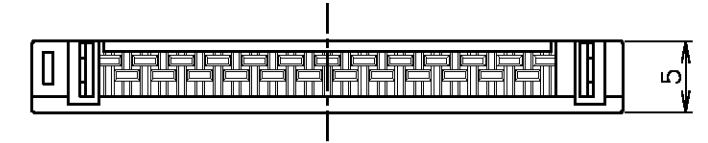
Address: A1208, Overseas Decoration Building, #122 Zhenhua RD., Futian, Shenzhen, China



LOC	DIST	REVISIONS					
J		P	LTR	DESCRIPTION	DATE	DWN	APVD
		L		REVISED (FJBO-0286-03)	12MAY03	T.K	Y.Y



カバーハウジング
COVER HOUSING
(2EA/KIT)



49.53	54.69	55.7	60.3	60.2	0.76 μ	39	80	3-175677-0
62.23	67.45	68.4	73.0	72.9	0.76 μ	49	100	2-175677-9
41.91	47.13	48.0	52.7	52.6	0.76 μ	33	68	2-175677-8
30.48	35.70	36.6	41.3	41.2	0.76 μ	24	50	2-175677-7
21.59	26.81	27.7	32.4	32.3	0.76 μ	17	36	2-175677-5
15.24	20.46	21.4	26.0	25.9	0.76 μ	12	26	2-175677-4
11.43	16.65	17.6	22.2	22.1	0.76 μ	9	20	2-175677-2
7.62	12.84	13.7	18.4	18.3	0.76 μ	6	14	2-175677-1
49.53	54.69	55.7	60.3	60.2	0.3 μ	39	80	1-175677-0
62.23	67.45	68.4	73.0	72.9	0.3 μ	49	100	175677-9
41.91	47.13	48.0	52.7	52.6	0.3 μ	33	68	175677-8
30.48	35.70	36.6	41.3	41.2	0.3 μ	24	50	175677-7
21.59	26.81	27.7	32.4	32.3	0.3 μ	17	36	175677-5
15.24	20.46	21.4	26.0	25.9	0.3 μ	12	26	175677-4
11.43	16.65	17.6	22.2	22.1	0.3 μ	9	20	175677-2
7.62	12.84	13.7	18.4	18.3	0.3 μ	6	14	175677-1
A	B	C	D	E	Au.PLATING	n	POS	PART No.

- 注記
- 材料及び表面仕上げ。
 *CONTACT: リン青銅, Ni 下地メッキに接触部
 Au メッキ0.3 μm, 0.76 μm 以上, 圧覆部すずめっき
 *フロントシェル: 鋼, Niメッキ
 *ハウジング(ベース, フェース, カバー)
 熱可塑性樹脂 ガラス入り, UL 94V-0, 色; 黒
 ガラス入り, UL 94V-0, 色; 黒。
 - 使用電線は タイコエレクトロニクスアンプ(株) 技術部門へ御確認をお願いします。
- NOTE
- MATERIAL & FINISH
 *CONTACT; COPPER ALLOY Au PL.0.3 AND 0.76 MIN. AT CONTACT AREA AND TIN PL. AT I.D. AREA OVER Ni PL.
 *FRONT SHELL; STEEL, Ni PL.
 *HOUSING(BASE,FACE,COVER);
 THERMO-PLASTIC,GF,UL 94V-0. BLACK
 - APPLICABLE WIRE; PLEASE CONFIRM TO TYCO ENGINEERING.

TOLERANCES UNLESS OTHERWISE SPECIFIED
—般公差

10 ≧	±0.2
30 ≧	> 10 ±0.25
100 ≧	> 30 ±0.3
ANGLES ±3°	

WIRE RANGE	INSULATION DIA
7/0.127mm(AWG#28)	0.5~0.7 mmφ

THIS DRAWING IS A CONTROLLED DOCUMENT.

DIMENSIONS: MM	TOLERANCES UNLESS OTHERWISE SPECIFIED:
	0 PLC ± 1 PLC ± 2 PLC ± 3 PLC ± 4 PLC ± ANGLES ±
MATERIAL SEE NOTES	FINISH SEE NOTES

THIS DRAWING IS A CONTROLLED DOCUMENT.

DWN	29JUN89	tyco Electronics	Tyco Electronics AMP K.K.		
CHK	07SEP89		Kawasaki, Japan		
APVD	11SEP89		NAME		
PRODUCT SPEC			CHAMP .050 PLUG CONN. KIT		
APPLICATION SPEC		SIZE	CAGE CODE	DRAWING NO	RESTRICTED TO
WEIGHT		A3	00779	C-175677	
CUSTOMER DRAWING		SCALE	2:1	SHEET	1 OF 1 REV