



Chipsmall Limited consists of a professional team with an average of over 10 year of expertise in the distribution of electronic components. Based in Hongkong, we have already established firm and mutual-benefit business relationships with customers from,Europe,America and south Asia,supplying obsolete and hard-to-find components to meet their specific needs.

With the principle of “Quality Parts,Customers Priority,Honest Operation,and Considerate Service”,our business mainly focus on the distribution of electronic components. Line cards we deal with include Microchip,ALPS,ROHM,Xilinx,Pulse,ON,Everlight and Freescale. Main products comprise IC,Modules,Potentiometer,IC Socket,Relay,Connector.Our parts cover such applications as commercial,industrial, and automotives areas.

We are looking forward to setting up business relationship with you and hope to provide you with the best service and solution. Let us make a better world for our industry!



## Contact us

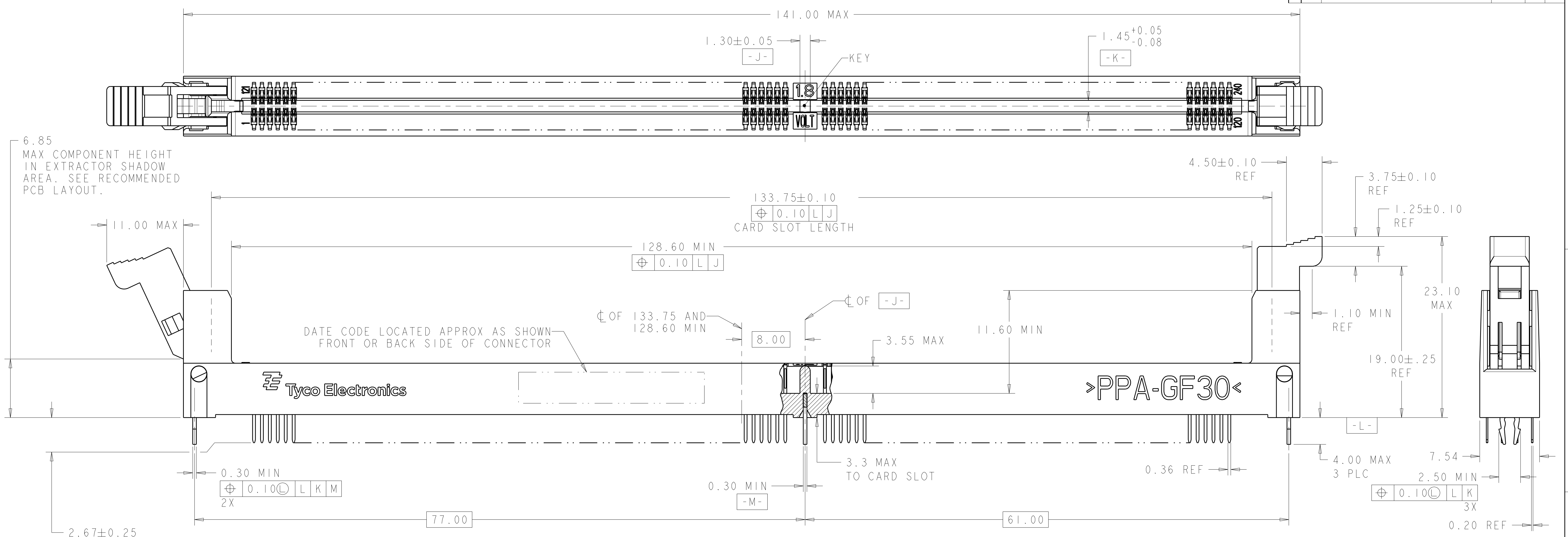
Tel: +86-755-8981 8866 Fax: +86-755-8427 6832

Email & Skype: info@chipsmall.com Web: www.chipsmall.com

Address: A1208, Overseas Decoration Building, #122 Zhenhua RD., Futian, Shenzhen, China



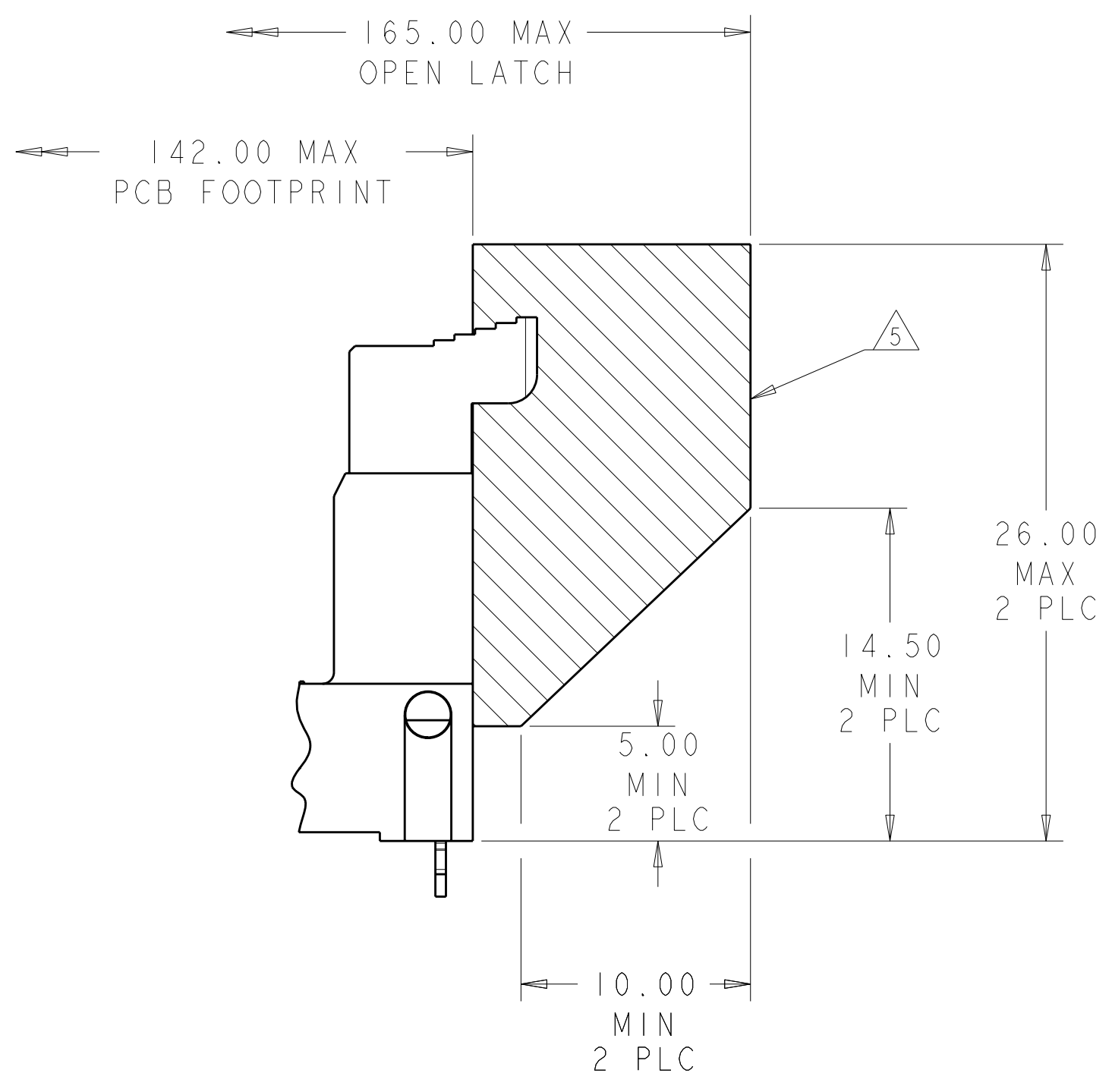
LOC	DIST	REV	DATE	BY	CHK	APP'D
GP	00	A	20SEP2005	DRR	MY	
		B	06DEC2005	DRR	LZ	
		B2	12JUL10	D.S.	S.Y.	
		B3	27JUN2011	D.P.	C.W.	



2.67±0.25  
FOR 1.60 (.063") THK PCB

3.18±0.25  
FOR 2.36 (.093") THK PCB

4.00±0.25  
FOR 3.18 (.125") THK PCB

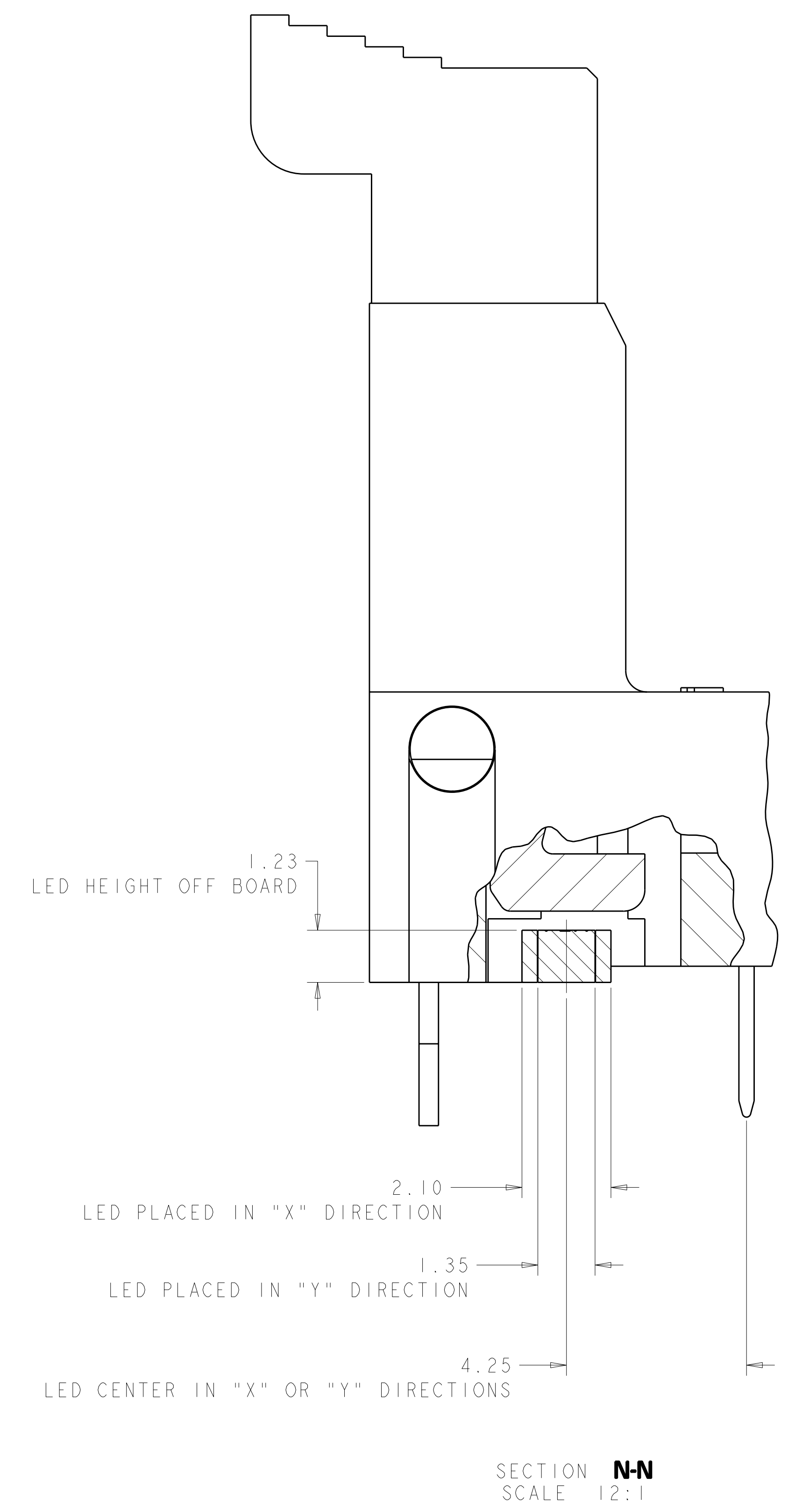
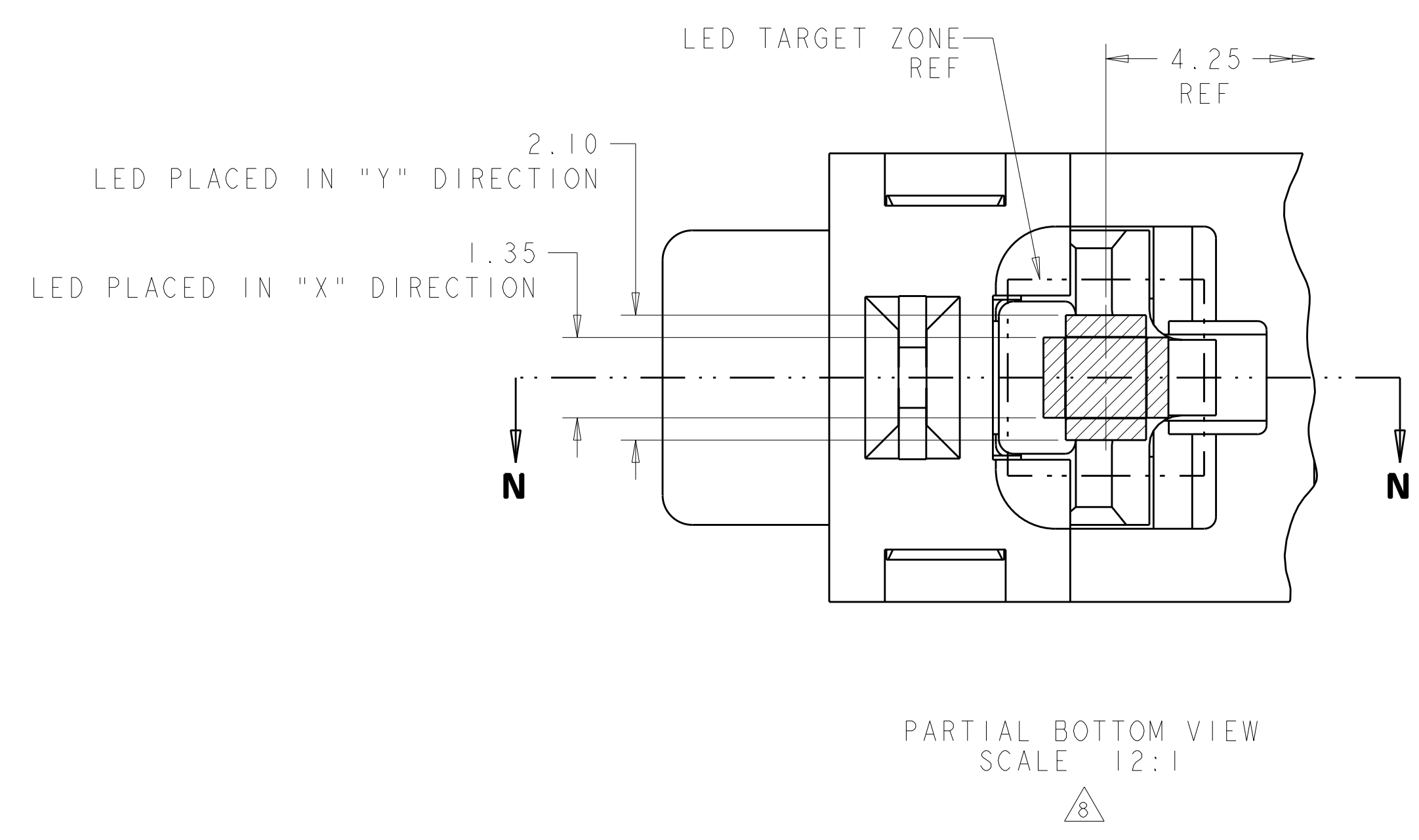


- MATERIALS:**  
 HOUSING: HIGH TEMPERATURE NYLON, BLACK, UL94 V-0  
 EXTRACTOR: HIGH TEMPERATURE THERMOPLASTIC  
 CONTACTS: COPPER ALLOY  
 RETENTION BARB: STAINLESS STEEL
- INTERFACE FINISH:**  
 (1) 0.00076 MIN THK GOLD OVER 0.00127 MIN THK NICKEL  
 (2) 0.00038 MIN THK GOLD OVER 0.00127 MIN THK NICKEL  
 (3) 0.00008 MIN THK GOLD OVER 0.00127 MIN THK NICKEL
- FINISHED HOLE SIZE:** 0.15 MAXIMUM ANNULAR RING.
- KEEP OUT ZONE.**
- KEEP OUT AREA RESERVED FOR SOCKET EXTRACTORS, BOTH ENDS.**
- SOLDERTAIL FINISH:**  
 0.00300 MIN THK BRIGHT TIN-LEAD OVER 0.00127 MIN THK NICKEL.
- SOLDERTAIL FINISH:**  
 0.00300 MIN THK MATTE TIN OVER 0.00127 MIN THK NICKEL.
- LED LOCATION AS APPLICABLE PER CUSTOMER.**
- DATUM -G- IS CONNECTOR SIDE SURFACE OF PCB.**
- OBsolete PARTS: OBsolete CIS STREAMLINING PER D.RENAUD/D.SINISI**

	BLACK	△	0.00038 MIN	4.00	△ 2-1761024-4
				3.18	2-1761024-3
				2.67	△ 2-1761024-2
	BLACK	△	0.00076 MIN	4.00	△ 2-1761024-1
				3.18	△ 2-1761024-0
				2.67	△ 1-1761024-9
				4.00	1-1761024-8
				3.18	1-1761024-7
				2.67	1-1761024-6
				4.00	1-1761024-5
				3.18	△ 1-1761024-4
				2.67	1-1761024-3
				4.00	1-1761024-2
				3.18	1-1761024-1
				2.67	1-1761024-0
				4.00	1761024-9
				3.18	1761024-8
				2.67	1761024-7
				4.00	1761024-6
				3.18	1761024-5
				2.67	1761024-4
				4.00	1761024-3
				3.18	1761024-2
				2.67	1761024-1

DIMENSIONS:		TOLERANCES UNLESS OTHERWISE SPECIFIED:		DWN: D. RINGLER 11FEB2004		Tyco Electronics Harrisburg, PA 17105-3608	
mm		9 PLC ±.5		CHK: M. CORRELL 18FEB2004		NAME: SOCKET ASSEMBLY, VERTICAL FB DIMM, SOLDER TAIL, 240 POSITION	
Ø		5 PLC ±0.13		APP'D: M. YEOMANS 20SEP2005		PRODUCT SPEC: 108-2214	
Ø		4 PLC ±0.013		APPLICATION SPEC: 114-13154		SIZE: CAGE CODE DRAWING NO: 00779 C=1761024	
Ø		ANGLES ±0.0001		WEIGHT: -		RESTRICTED TO: -	
FINISH:		FINISH:		CUSTOMER DRAWING		SCALE: 4:1 SHEET 1 OF 3 REV: B3	

LOC	DIST	REVISIONS			
P	LTB	DESCRIPTION	DATE	DWN	APVD
GP	00	SEE SHEET 1	-	-	-



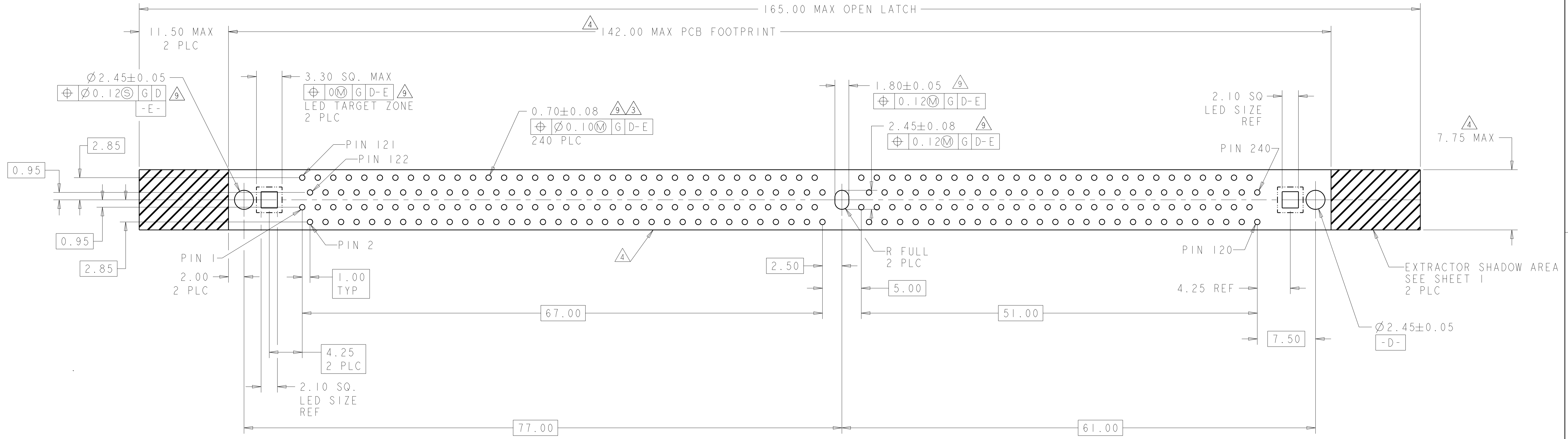
<small>THIS DRAWING IS UNPUBLISHED. RELEASED FOR PUBLICATION 20                  © COPYRIGHT 20 BY TYCO ELECTRONICS CORPORATION. ALL RIGHTS RESERVED.</small>		DWN D. RINGLER 11FEB2004 CHK M. CORRELL 18FEB2004 APVD M. YEOMANS 20SEP2005	Tyco Electronics Harrisburg, PA 17105-3608
DIMENSIONS: mm 	TOLERANCES UNLESS OTHERWISE SPECIFIED: 9 PLC ±.5 2 PLC ±0.13 5 PLC ±0.013 4 PLC ±0.001 ANGLES ±.	NAME SOCKET ASSEMBLY, VERTICAL FB DIMM, SOLDER TAIL, 240 POSITION PRODUCT SPEC 108-2214 APPLICATION SPEC 114-13154 WEIGHT - CUSTOMER DRAWING	SIZE A CAGE CODE 00779 DRAWING NO C=1761024 RESTRICTED TO - SCALE 4:1 SHEET 2 OF 3 REV B3



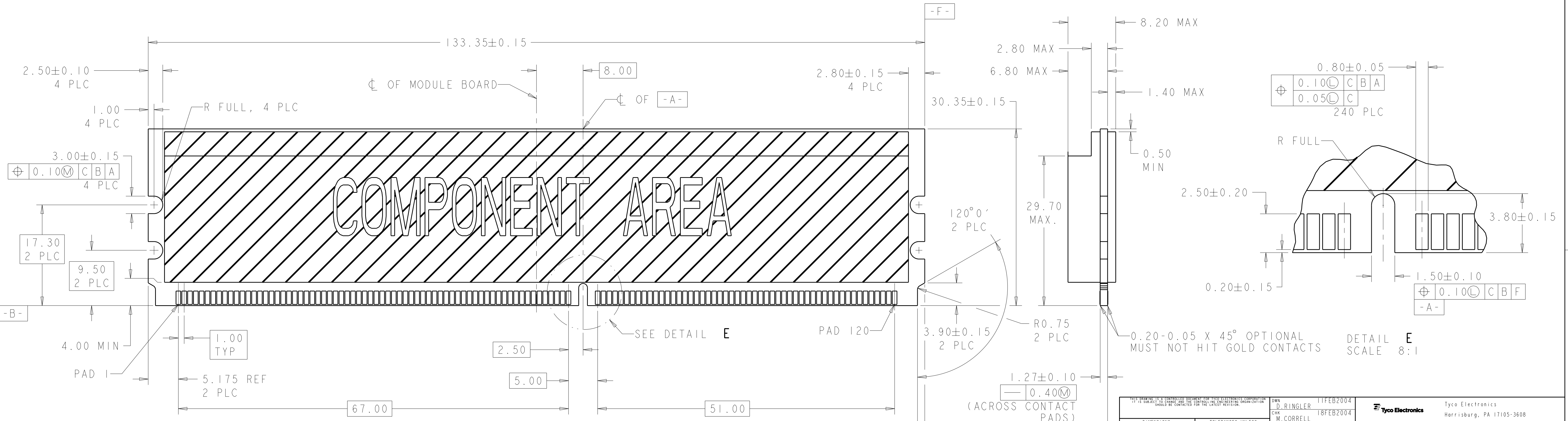
LOC	DIST	REV	DATE	BY	APPD
GP	00				

REVISIONS		DATE	BY	APPD
1	SEE SHEET 1			



RECOMMENDED PCB LAYOUT  
 VIEWED FROM CONNECTOR SIDE



RECOMMENDED MODULE LAYOUT  
 SCALE 3:1

<small>THIS DRAWING IS UNPUBLISHED. RELEASED FOR PUBLICATION BY TYCO ELECTRONICS CORPORATION, ALL RIGHTS RESERVED.</small>		DWN: D. RINGLER 11FEB2004 CHK: M. CORRELL 18FEB2004 APVD: M. YEOMANS 20SEP2005	Tyco Electronics Harrisburg, PA 17105-3608
DIMENSIONS: mm TOLERANCES UNLESS OTHERWISE SPECIFIED:	9 PLC ±0.5 1 PLC ±0.5 3 PLC ±0.13 4 PLC ±0.013 5 PLC ±0.001 ANGLES ±0.0001	NAME: SOCKET ASSEMBLY, VERTICAL FB DIMM, SOLDER TAIL, 240 POSITION PRODUCT SPEC: 108-2214 APPLICATION SPEC: 114-13154 WEIGHT: - FINISH: -	SIZE: A1 CAGE CODE: 00779 DRAWING NO: C-1761024 RESTRICTED TO: - SCALE: 1:1 SHEET: 3 OF 3 REV: B3