



Chipsmall Limited consists of a professional team with an average of over 10 year of expertise in the distribution of electronic components. Based in Hongkong, we have already established firm and mutual-benefit business relationships with customers from,Europe,America and south Asia,supplying obsolete and hard-to-find components to meet their specific needs.

With the principle of "Quality Parts,Customers Priority,Honest Operation,and Considerate Service",our business mainly focus on the distribution of electronic components. Line cards we deal with include Microchip,ALPS,ROHM,Xilinx,Pulse,ON,Everlight and Freescale. Main products comprise IC,Modules,Potentiometer,IC Socket,Relay,Connector.Our parts cover such applications as commercial,industrial, and automotives areas.

We are looking forward to setting up business relationship with you and hope to provide you with the best service and solution. Let us make a better world for our industry!



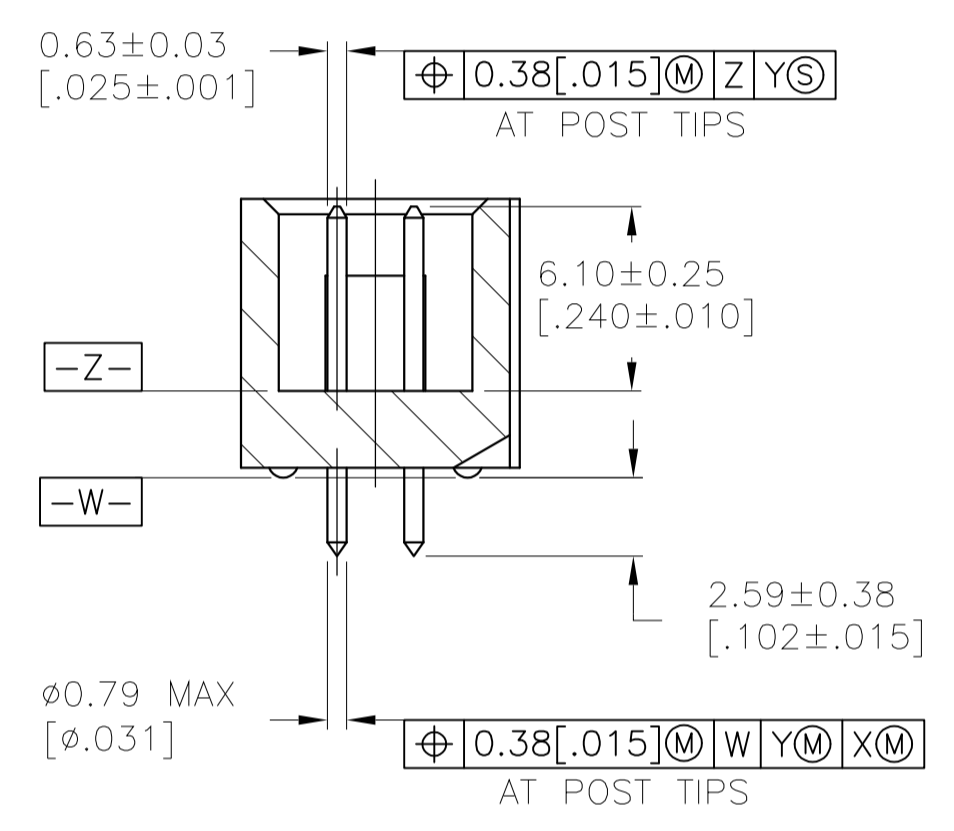
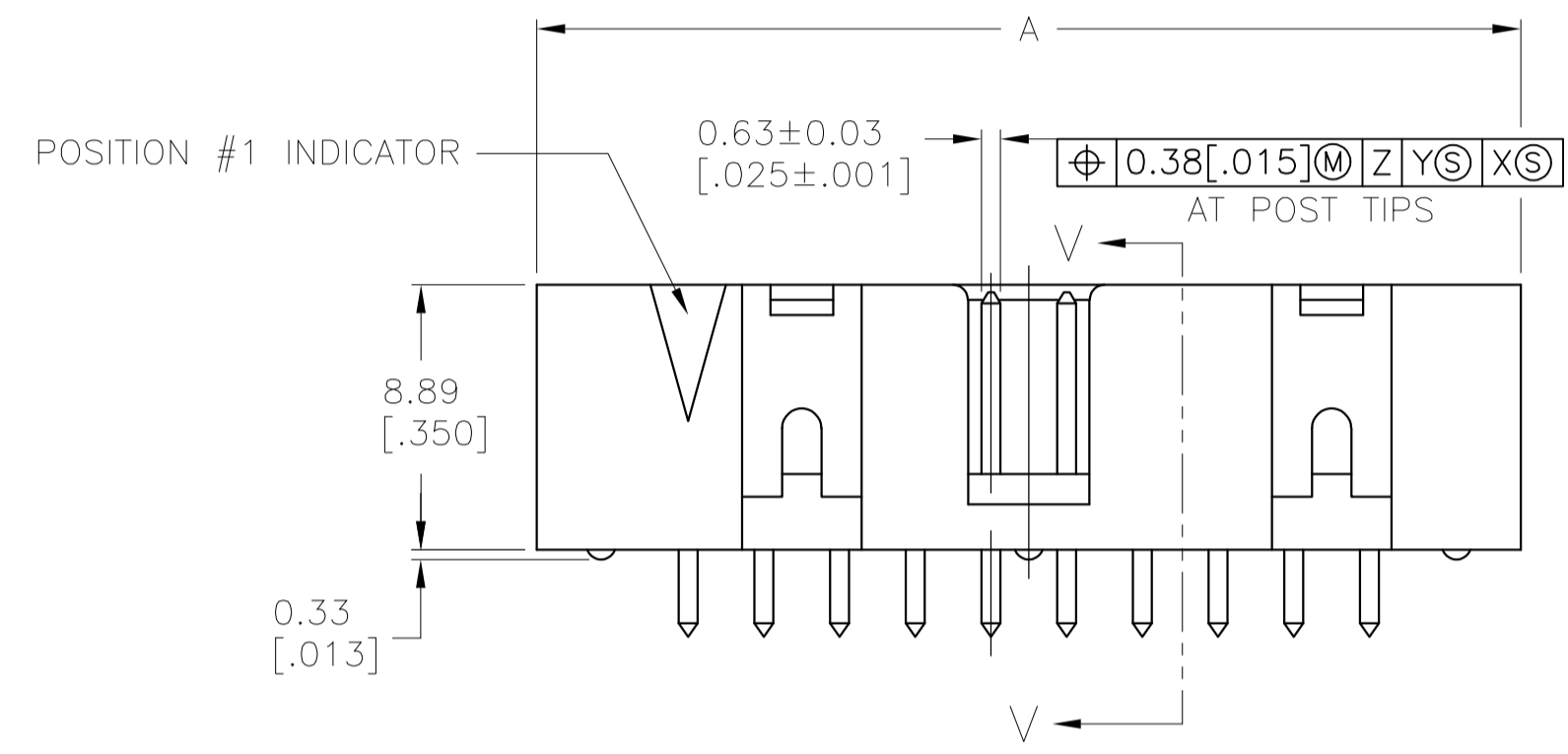
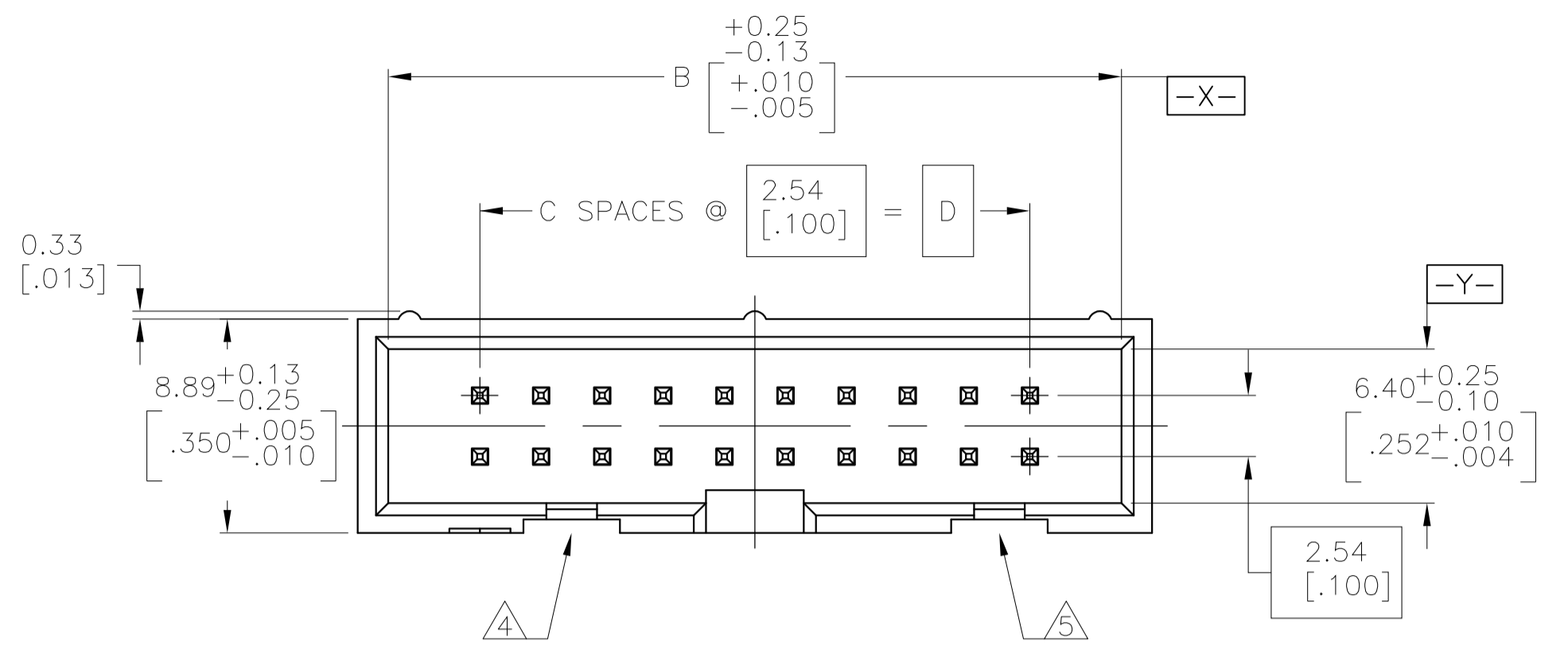
Contact us

Tel: +86-755-8981 8866 Fax: +86-755-8427 6832

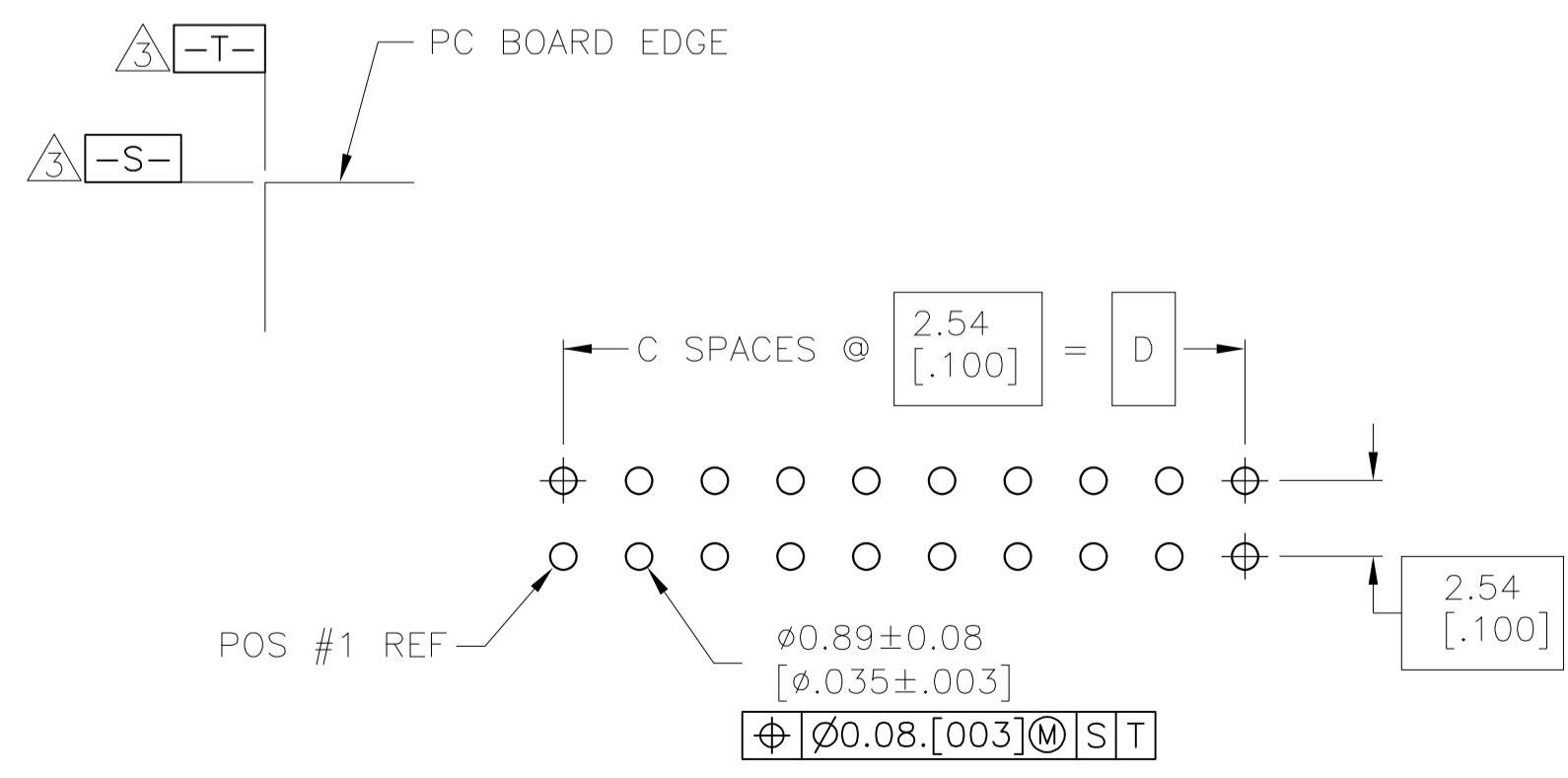
Email & Skype: info@chipsmall.com Web: www.chipsmall.com

Address: A1208, Overseas Decoration Building, #122 Zhenhua RD., Futian, Shenzhen, China





SECTION V-V



RECOMMENDED PC BOARD LAYOUT (VIEWED FROM CONNECTOR SIDE)

- 1 HOUSING: PBT, UL94V-0, COLOR: SEE TABLE.
- 2 POSTS: PHOSPHOR BRONZE.
- 3 POSTS: 0.00076[0.00030] MIN GOLD ON MATING AREA, 0.00254[0.00100] MIN TIN ON SOLDER END, ALL OVER 0.00127[0.00050] MIN NICKEL ON ENTIRE POST.
- 4 DATUMS S & T TO BE ESTABLISHED BY CUSTOMER.
- 5 NO KEYING SLOT ON THIS END FOR 6, 8, 10, 12 & 14 POSITION ASSEMBLIES.
- 6 NO KEYING SLOT ON THIS END FOR 6, 8 & 10 POSITION ASSEMBLIES.

	BLUE	78.74 [3.100]	31	86.36 [3.400]	88.90 [3.500]	64	3-1761603-7
OBSOLETE	BLUE	73.66 [2.900]	29	81.28 [3.200]	83.82 [3.300]	60	3-1761603-6
	BLUE	60.96 [2.400]	24	68.58 [2.700]	71.12 [2.800]	50	3-1761603-5
	BLUE	53.34 [2.100]	21	60.96 [2.400]	63.50 [2.500]	44	3-1761603-4
	BLUE	48.26 [1.900]	19	55.88 [2.200]	58.42 [2.300]	40	3-1761603-3
	BLUE	43.18 [1.700]	17	50.80 [2.000]	53.34 [2.100]	36	3-1761603-2
	BLUE	40.64 [1.600]	16	48.26 [1.900]	50.80 [2.000]	34	3-1761603-1
	BLUE	35.56 [1.400]	14	43.18 [1.700]	45.72 [1.800]	30	3-1761603-0
	BLUE	30.48 [1.200]	12	38.10 [1.500]	40.64 [1.600]	26	2-1761603-9
	BLUE	27.94 [1.100]	11	35.56 [1.400]	38.10 [1.500]	24	2-1761603-8
	BLUE	22.86 [0.900]	9	30.48 [1.200]	33.02 [1.300]	20	2-1761603-7
	BLUE	17.78 [0.700]	7	25.40 [1.000]	27.94 [1.100]	16	2-1761603-6
	BLUE	15.24 [0.600]	6	22.86 [0.900]	25.40 [1.000]	14	2-1761603-5
	BLUE	12.70 [0.500]	5	20.32 [0.800]	22.86 [0.900]	12	2-1761603-4
	BLUE	10.16 [0.400]	4	17.78 [0.700]	20.32 [0.800]	10	2-1761603-3
OBSOLETE	BLUE	7.62 [0.300]	3	15.24 [0.600]	17.78 [0.700]	8	2-1761603-2
	BLUE	5.08 [0.200]	2	12.70 [0.500]	15.24 [0.600]	6	2-1761603-1
OBSOLETE	BLACK	73.66 [2.900]	29	81.28 [3.200]	83.82 [3.300]	60	1-1761603-6
OBSOLETE	BLACK	60.96 [2.400]	24	68.58 [2.700]	71.12 [2.800]	50	1-1761603-5
OBSOLETE	BLACK	48.26 [1.900]	19	55.88 [2.200]	58.42 [2.300]	40	1-1761603-3
OBSOLETE	BLACK	40.64 [1.600]	16	48.26 [1.900]	50.80 [2.000]	34	1-1761603-1
OBSOLETE	BLACK	35.56 [1.400]	14	43.18 [1.700]	45.72 [1.800]	30	1-1761603-0
OBSOLETE	BLACK	30.48 [1.200]	12	38.10 [1.500]	40.64 [1.600]	26	1761603-9
OBSOLETE	BLACK	22.86 [0.900]	9	30.48 [1.200]	33.02 [1.300]	20	1761603-7
OBSOLETE	BLACK	17.78 [0.700]	7	25.40 [1.000]	27.94 [1.100]	16	1761603-6
OBSOLETE	BLACK	15.24 [0.600]	6	22.86 [0.900]	25.40 [1.000]	14	1761603-5
OBSOLETE	BLACK	10.16 [0.400]	4	17.78 [0.700]	20.32 [0.800]	10	1761603-3
OBSOLETE	PART NUMBER	D	C	B	A	NO OF POS	PART NUMBER

THIS DRAWING IS A CONTROLLED DOCUMENT.

APPROVED: M. WALMSLEY

DATE: 11MAR11

SCALE: 4:1

SHEET 1 OF 1

REV B1

STE TE Connectivity

HEADER ASSEMBLY, VERTICAL, LOW PROFILE, IDC