



Chipsmall Limited consists of a professional team with an average of over 10 year of expertise in the distribution of electronic components. Based in Hongkong, we have already established firm and mutual-benefit business relationships with customers from,Europe,America and south Asia,supplying obsolete and hard-to-find components to meet their specific needs.

With the principle of “Quality Parts,Customers Priority,Honest Operation,and Considerate Service”,our business mainly focus on the distribution of electronic components. Line cards we deal with include Microchip,ALPS,ROHM,Xilinx,Pulse,ON,Everlight and Freescale. Main products comprise IC,Modules,Potentiometer,IC Socket,Relay,Connector.Our parts cover such applications as commercial,industrial, and automotives areas.

We are looking forward to setting up business relationship with you and hope to provide you with the best service and solution. Let us make a better world for our industry!



Contact us


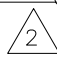
Tel: +86-755-8981 8866 Fax: +86-755-8427 6832

Email & Skype: info@chipsmall.com Web: www.chipsmall.com

Address: A1208, Overseas Decoration Building, #122 Zhenhua RD., Futian, Shenzhen, China



LOC J	DIST	REVISIONS					
		P	LTR	DESCRIPTION	DATE	DWN	APVD
			F	REVISED PER ECR-10-026117	01JUL2011	TT	TM

塩ビケース詰 1.25 F-P コネクタ (基板対基板接続用) 2列仕様 ポスト ヘッダー アッセンブリ サーフェイスマウント タイプ 基板位置決め用ボス付 壁補強型 TUBE PACKAGING 1.25 F-P CONNECTOR (B-TO-B) DOUBLE ROW POST HDR ASS'Y SMT TYPE WITH BOSS -IMPROVED TYPE		30	20	9-	-0	9-	-0
	720999-4	26	25	8-	-6	8-	-6
	2-912050-0	16	40	4- 	-6	4- 	-6
		30	20	3-	-0	3-	-0
		24	25	2-	-4	2-	-4
	1-912050-7	22	30	2-176140-2	2-176314-2		
名称 NAME	塩ビケース 型番 TUBE P/N	極数 Pos.	数量 (ケ) QTY'S	コネクタ型番 (バラ状) CONN P/N (L/P)	塩ビケース詰 コネクタ型番 IN TUBE P/N		

OBSOLETE

注記

1. 包装規格 : 107-5123-2

NOTES

1. PACKAGING SPEC : 107-5123-2



OBSOLETE PARTS: OBSOLETE CIS STREAMLINING PER D.RENAUD/D.SINISI



OBSOLETE


RELEASED FOR PUBLICATION

ALL RIGHTS RESERVED.

THIS DRAWING IS UNPUBLISHED.

By -

© COPYRIGHT

DIMENSIONS: mm TOLERANCES UNLESS OTHERWISE SPECIFIED: 0 PLC ± 1 PLC ± 2 PLC ± 3 PLC ± 4 PLC ± ANGLES ±	DWN S.KANEKI 26JAN89	MATERIAL	FINISH
	CHK J.TANIGAWA 27JAN89	 TE Connectivity	
	APVD N.ONOUE 27JUL89	NAME TUBE PACKAGING 1.25 F-P CONNECTOR (B-TO-B) DOUBLE ROW POST HDR ASS'Y SMT TYPE WITH BOSS -IMPROVED TYPE	
	PRODUCT SPEC	SIZE A4	RESTRICTED TO -
	APPLICATION SPEC	CAGE CODE 00779	DRAWING NO C-176314
	WEIGHT	SCALE	
CUSTOMER DRAWING		SHEET 1 OF 1	REV F