



Chipsmall Limited consists of a professional team with an average of over 10 year of expertise in the distribution of electronic components. Based in Hongkong, we have already established firm and mutual-benefit business relationships with customers from,Europe,America and south Asia,supplying obsolete and hard-to-find components to meet their specific needs.

With the principle of “Quality Parts,Customers Priority,Honest Operation,and Considerate Service”,our business mainly focus on the distribution of electronic components. Line cards we deal with include Microchip,ALPS,ROHM,Xilinx,Pulse,ON,Everlight and Freescale. Main products comprise IC,Modules,Potentiometer,IC Socket,Relay,Connector.Our parts cover such applications as commercial,industrial, and automotives areas.

We are looking forward to setting up business relationship with you and hope to provide you with the best service and solution. Let us make a better world for our industry!



## Contact us

Tel: +86-755-8981 8866 Fax: +86-755-8427 6832

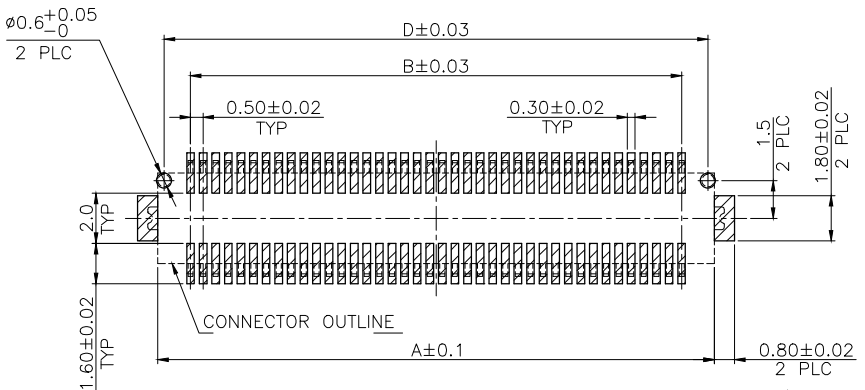
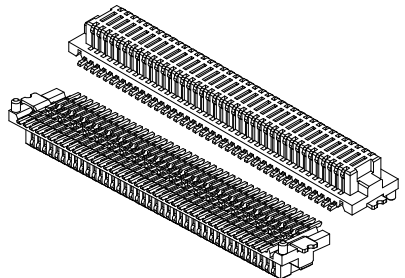
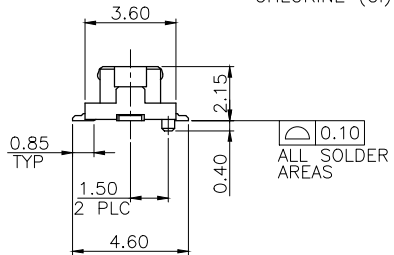
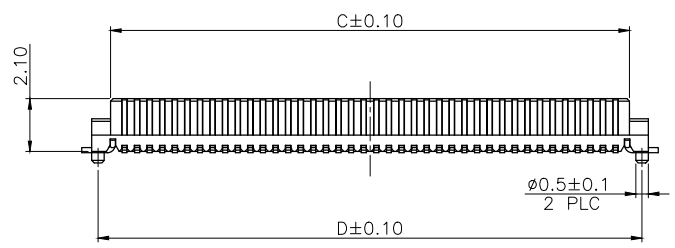
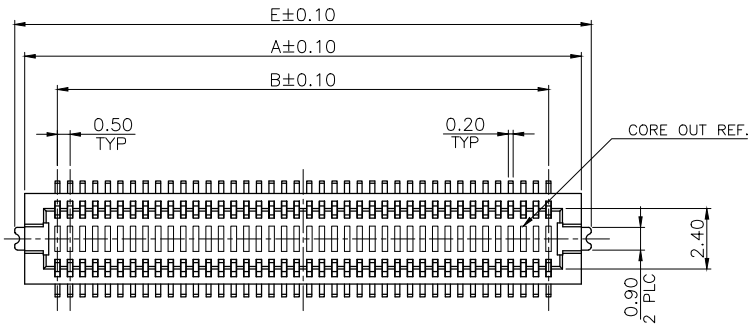
Email & Skype: info@chipsmall.com Web: www.chipsmall.com

Address: A1208, Overseas Decoration Building, #122 Zhenhua RD., Futian, Shenzhen, China



LOC		DIST		REVISIONS			
P	LTR	DESCRIPTION		DATE	DWN	APVD	
	A5	REVISED (ECR-14-009374)		02OCT14	SW	SC	

- NOTE:
- MATERIAL:  
 HOUSING: THERMOPLASTIC (LCP) WITH 30% GF, UL 94V-0, BLACK COLOR.  
 CONTACTS: PHOSPHOR BRONZE.  
 PEGS: BRASS.
  - FINISH:  
 CONTACTS: 0.127mm[5m"] MIN. GOLD PLATING ON CONTACT AREA,  
 GOLD FLASH ON SOLDER TAIL,  
 1.27mm[50m"] MIN. NICKEL UNDERPLATING OVERALL.  
 PEGS: 2.54mm[100m"] MIN. MATTE-TIN OVER 1.27mm[50m"] MIN. NICKEL.
  - REFLOW SOLDER CAPABLE TO 260°C AS PER TE SPEC. 109-201, CONDITION B.
  - NO TE LOGO AND DATE CODE ON THE PRODUCT.
  - PLUG PART NUMBERS (BASE NO.#): 1775167 THRU 1775186.
  - LOW HALOGEN SPEC:  
 CHLORINE (Cl): 900 ppm MAX.  
 BROMINE (Br): 900 ppm MAX.  
 CHLORINE (Cl) + BROMINE (Br): 1500 ppm MAX.

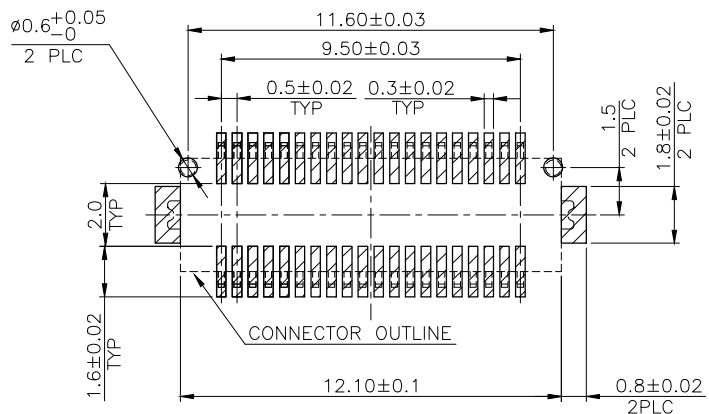
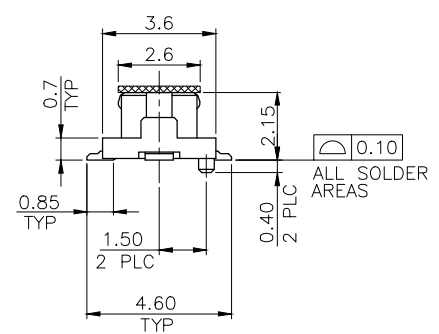
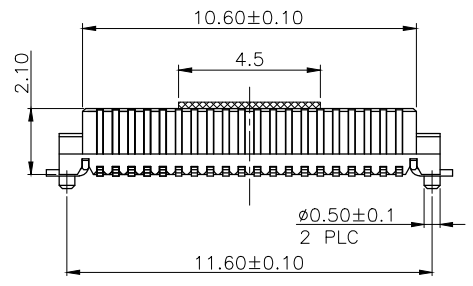
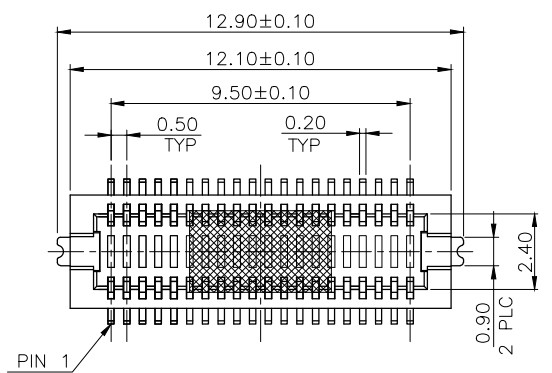


RECOMMENDED P.C.B. LAYOUT (THICKNESS=1.2mm~1.8mm)  
 (COMPONENT SIDE) TOLERANCE: ±0.05

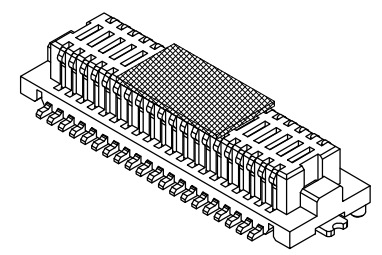
EOL	WEIGHT	DIMENSIONS					NO. OF CONTACTS	PART NUMBER
		E	D	C	B	A		
0.099g	7.90	6.60	5.60	4.50	7.10	20	2-1775188-3	
0.255g	17.90	16.60	15.60	14.50	17.10	60	6-1775188-0	
0.222g	15.40	14.10	13.10	12.00	14.60	50	5-1775188-0	
0.178g	12.90	11.60	10.60	9.50	12.10	40	4-1775188-0	
0.139g	10.40	9.10	8.10	7.00	9.60	30	3-1775188-0	
0.099g	7.90	6.60	5.60	4.50	7.10	20	2-1775188-0	

THIS DRAWING IS A CONTROLLED DOCUMENT.		DWN A. WU 17APR2006	TE Connectivity BOARD TO BOARD CONNECTOR 0.5mm PITCH, FINE-MATE RECEPTACLE, WITH BOSSES & PEG	
DIMENSIONS: MM		CHK S. HOU 17APR2006		
TOLERANCES UNLESS OTHERWISE SPECIFIED:		APVD W. KODAMA 17APR2006	NAME	
0 PLC ± - 1 PLC ± 0.3 2 PLC ± 0.2 3 PLC ± 0.15 4 PLC ± - ANGLES ± 3°		PRODUCT SPEC 108-57578	SIZE A3	
MATERIAL SEE NOTE		FINISH SEE NOTE	CAGE CODE 00779	
WEIGHT SEE TABLE		DRAWING NO. C-1775188		RESTRICTED TO
CUSTOMER DRAWING		SCALE		SHEET 1 of 4 REV A5

LOC		DIST		REVISIONS					
DW				P	LTR	DESCRIPTION	DATE	DWN	APVD
						SEE SHEET 1.			



RECOMMENDED P.C.B. LAYOUT (THICKNESS=1.2mm~1.8mm)  
 (COMPONENT SIDE) TOLERANCE: ±0.05



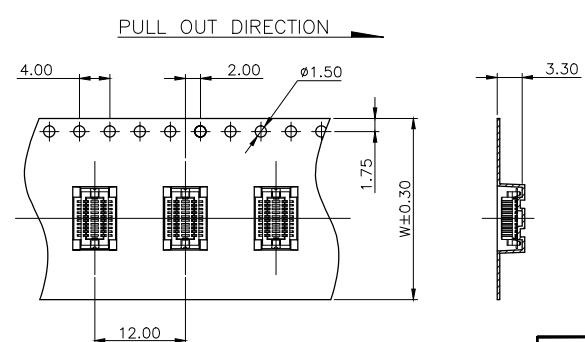
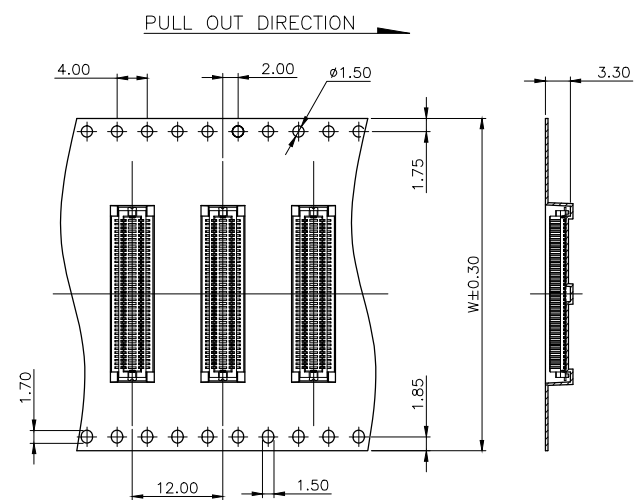
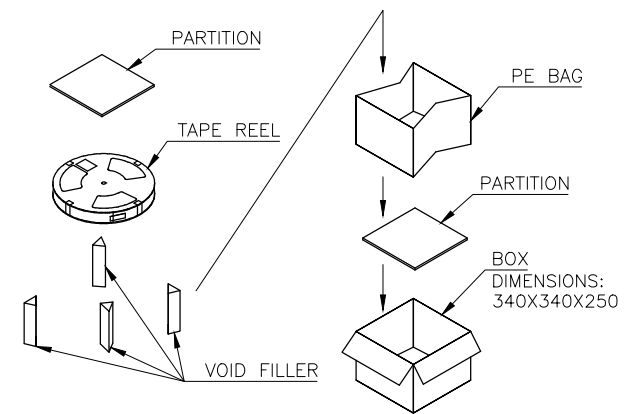
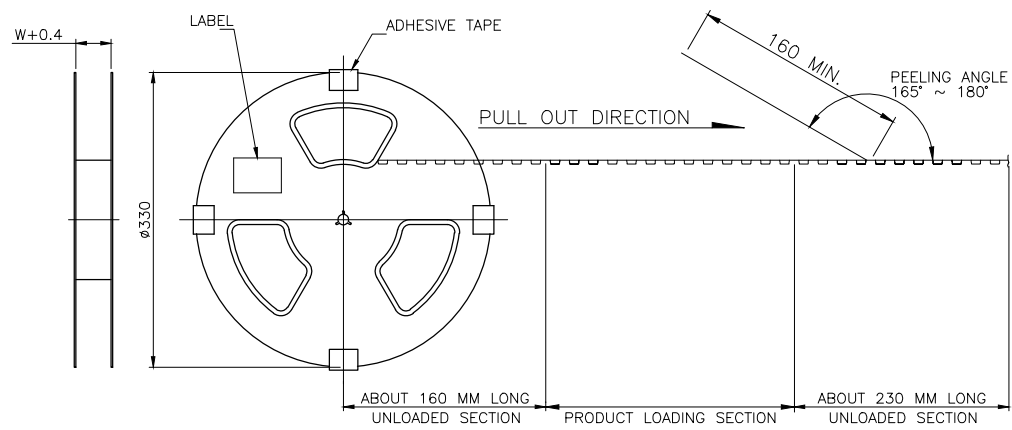
- NOTE:
- MATERIAL:  
 HOUSING: THERMOPLASTIC (LCP) WITH 30% GF, UL 94V-0, BLACK COLOR.  
 CONTACTS: PHOSPHOR BRONZE.  
 PEGS: BRASS.
  - FINISH:  
 CONTACTS: 0.127µm[5µ"] MIN. GOLD PLATING ON CONTACT AREA,  
 GOLD FLASH ON SOLDER TAIL,  
 1.27µm[50µ"] MIN. NICKEL UNDERPLATING OVERALL.  
 PEGS: 2.54µm[100µ"] MIN. MATTE-TIN OVER 1.27µm[50µ"] MIN. NICKEL.
  - REFLOW SOLDER CAPABLE TO 260°C AS PER TE SPEC. 109-201, CONDITION B.
  - NO TE LOGO AND DATE CODE ON THE PRODUCT.
  - LOW HALOGEN SPECIFICATION:  
 CHLORINE(Cl): 900ppm MAX.  
 BROMINE(Br): 900ppm MAX.

0.179g	40	4-1775188-1
WEIGHT	NO. OF CONTACTS	PART NUMBER

THIS DRAWING IS A CONTROLLED DOCUMENT.		DWN	TE Connectivity	
DIMENSIONS: MM		CHK	NAME	
TOLERANCES UNLESS OTHERWISE SPECIFIED:		APVD	BOARD TO BOARD CONNECTOR 0.5mm PITCH, FINE-MATE RECEPTACLE, WITH BOSSES & PEG	
0 PLC ± -		PRODUCT SPEC	SIZE	CAGE CODE
1 PLC ± 0.3		APPLICATION SPEC	A3	00779
2 PLC ± 0.2		WEIGHT	DRAWING NO	
3 PLC ± 0.15		SEE TABLE	C=1775188	
4 PLC ± -		CUSTOMER DRAWING	SCALE	SHEET
ANGLES ± 3'			-	2 OF 4
FINISH			REV	A5

THIS DRAWING IS UNPUBLISHED. RELEASED FOR PUBLICATION AUG. 2006.  
 © COPYRIGHT BY TYCO ELECTRONICS CORPORATION. ALL RIGHTS RESERVED.

LOC	DIST	REVISIONS			
P	LTR	DESCRIPTION	DATE	DWN	APVD
		SEE SHEET 1.			



NOTE:  
 1. PEELING RESISTANCE: 10gf ~ 130gf.  
 2. PEELING SPEED: 300mm/MINUTES.

EOL	1000	10	10000	16	6.25	0.89	20	2-1775188-3
EOL	1000	6	6000	32	5.53	1.53	60	6-1775188-0
	1000	6	6000	32	5.32	1.32	50	5-1775188-0
	1000	7	7000	24	5.62	1.24	40	4-1775188-0
EOL	1000	7	7000	24	5.34	0.97	30	3-1775188-0
	1000	7	7000	24	5.07	0.69	20	2-1775188-0
PCS/ REEL	REELS/ BOX	QUANTITY	DIM W	G/W (KG)	N/W (KG)	NO. OF POS.	PART NUMBER	

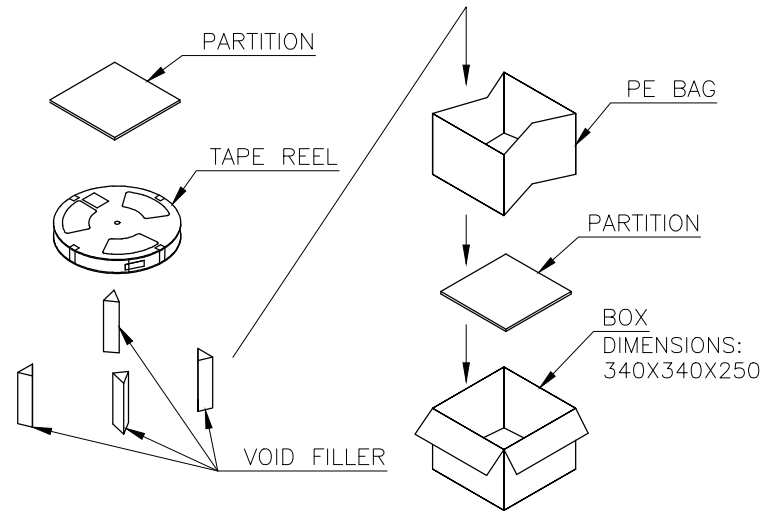
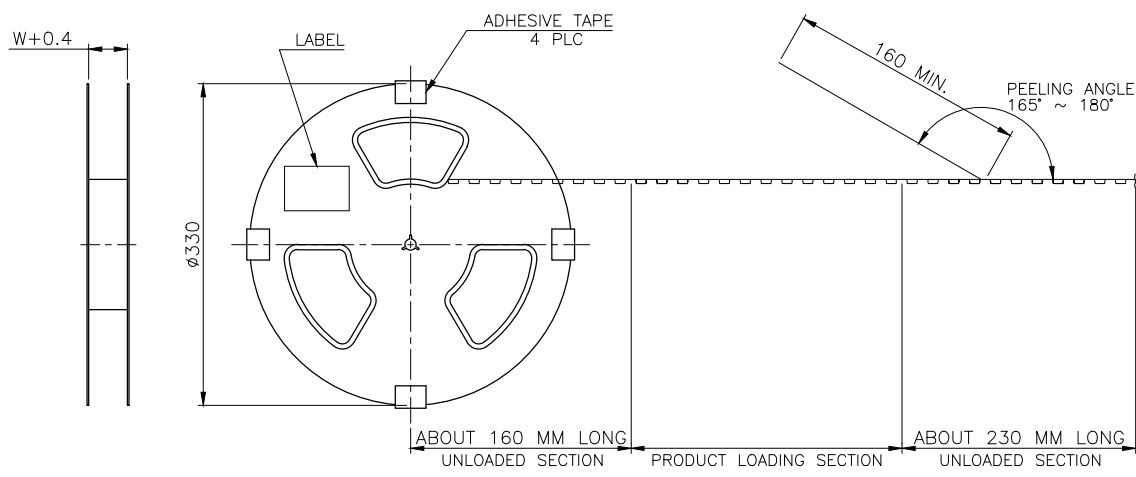
CARRIER FOR 50 THRU 60 POSITION

CARRIER FOR 20 THRU 40 POSITION

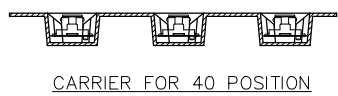
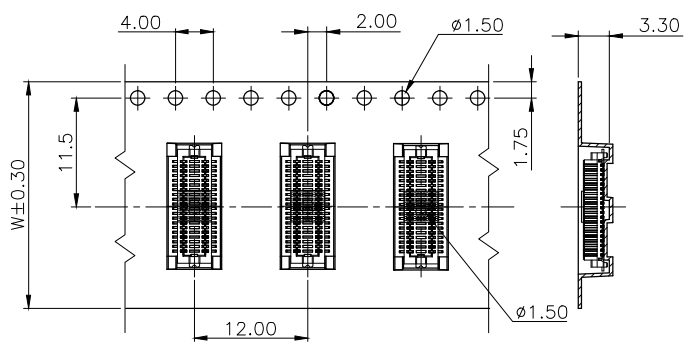
THIS DRAWING IS A CONTROLLED DOCUMENT.		DWN	TE Connectivity	
DIMENSIONS: MM		CHK	NAME	
TOLERANCES UNLESS OTHERWISE SPECIFIED:		APVD	BOARD TO BOARD CONNECTOR 0.5mm PITCH, FINE-MATE RECEPTACLE, WITH BOSSES & PEG	
0 PLC ±		PRODUCT SPEC	SIZE	CAGE CODE
1 PLC ±0.3		APPLICATION SPEC	A3	00779
2 PLC ±0.2		WEIGHT	DRAWING NO. C-1775188	
3 PLC ±0.15		CUSTOMER DRAWING	SCALE	SHEET
4 PLC ±				3 of 4
ANGLES ± 3'				REV A5

THIS DRAWING IS UNPUBLISHED. RELEASED FOR PUBLICATION AUG , 2006.  
 © COPYRIGHT BY TYCO ELECTRONICS CORPORATION. ALL RIGHTS RESERVED.

LOC		DIST		REVISIONS			
P	LTR	DESCRIPTION	DATE	DWN	APVD		
		SEE SHEET 1.					



PULL OUT DIRECTION →



NOTE:  
 1. PEELING RESISTANCE: 10gf ~ 130gf.  
 2. PEELING SPEED: 300mm/MINUTES.

1000	7	7000	24	5.62	1.24	40	4-1775188-1
PCS/ REEL	REELS/ BOX	QUANTITY	DIM W	G/W (KG)	N/W (KG)	NO. OF	PART NUMBER

THIS DRAWING IS A CONTROLLED DOCUMENT.		DWN				
DIMENSIONS: MM		CHK				
TOLERANCES UNLESS OTHERWISE SPECIFIED:		APVD	NAME			
0 PLC ± - 1 PLC ± 0.3 2 PLC ± 0.2 3 PLC ± 0.15 4 PLC ± - ANGLES ± 3°		PRODUCT SPEC	BOARD TO BOARD CONNECTOR 0.5mm PITCH, FINE-MATE RECEPTACLE, WITH BOSSES & PEG			
MATERIAL		APPLICATION SPEC	SIZE	CAGE CODE	DRAWING NO	RESTRICTED TO
FINISH		WEIGHT	A3	00779	C=1775188	-
		CUSTOMER DRAWING	SCALE		SHEET	REV
			-		4 of 4	A5