



Chipsmall Limited consists of a professional team with an average of over 10 year of expertise in the distribution of electronic components. Based in Hongkong, we have already established firm and mutual-benefit business relationships with customers from,Europe,America and south Asia,supplying obsolete and hard-to-find components to meet their specific needs.

With the principle of “Quality Parts,Customers Priority,Honest Operation,and Considerate Service”,our business mainly focus on the distribution of electronic components. Line cards we deal with include Microchip,ALPS,ROHM,Xilinx,Pulse,ON,Everlight and Freescale. Main products comprise IC,Modules,Potentiometer,IC Socket,Relay,Connector.Our parts cover such applications as commercial,industrial, and automotives areas.

We are looking forward to setting up business relationship with you and hope to provide you with the best service and solution. Let us make a better world for our industry!



## Contact us

Tel: +86-755-8981 8866 Fax: +86-755-8427 6832

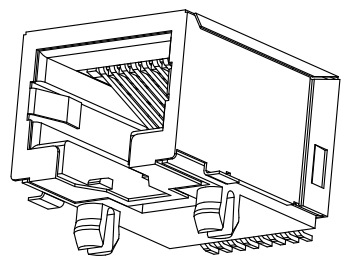
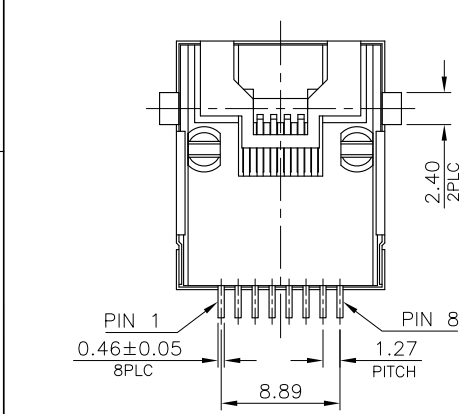
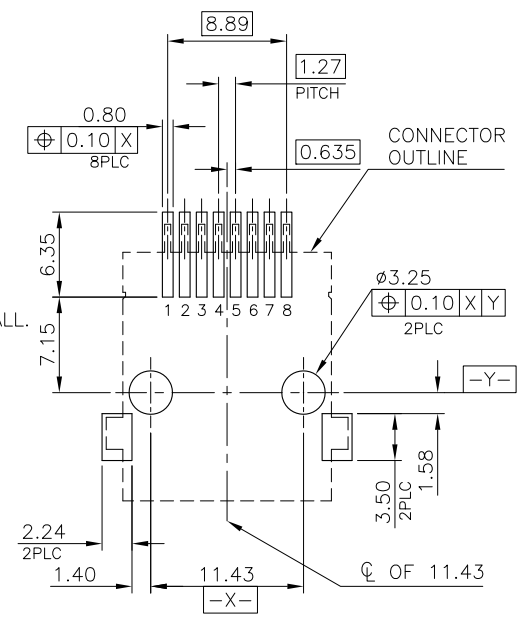
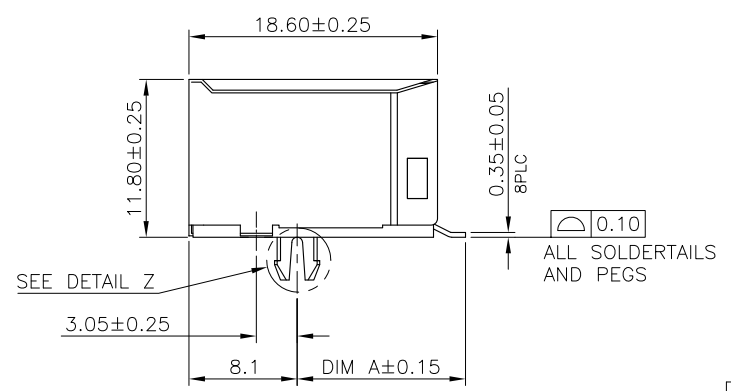
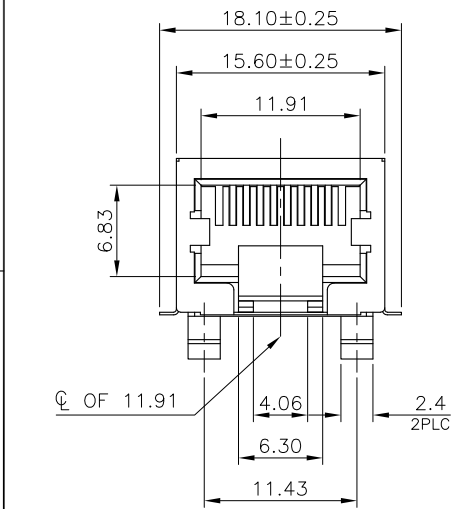
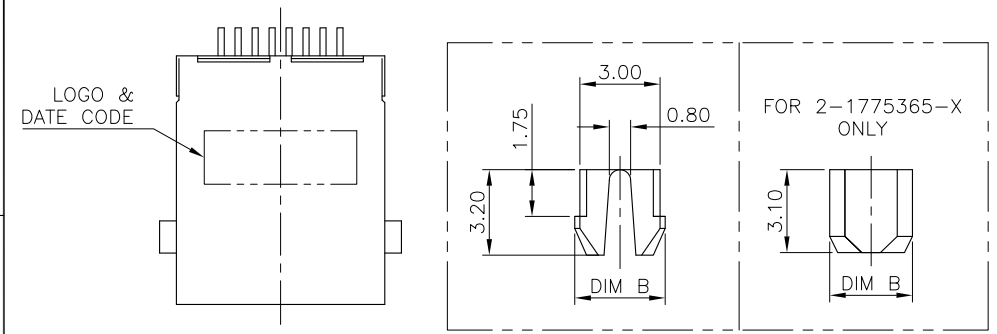
Email & Skype: info@chipsmall.com Web: www.chipsmall.com

Address: A1208, Overseas Decoration Building, #122 Zhenhua RD., Futian, Shenzhen, China



LOC	DIST	REVISIONS					
DW		P	LTR	DESCRIPTION	DATE	DWN	APVD
		G		ECR-12-012115	26OCT'12	E.L.	W.K.

- NOTES:
- MATERIAL:
    - HOUSING : PA9T WITH 30% GF, UL94 V-0, BLACK COLOR.
    - INSERT HOUSING: PA46 WITH 30% GF, UL94 V-0, BLACK COLOR.
    - CONTACT: PHOSPHOR BRONZE.
    - SHELL: BRASS.
  - FINISH:
    - CONTACT: (SEE TABLE) GOLD PLATED ON CONTACT AREA. GOLD FLASH ON SOLDER TAIL.
    - SHELL: 0.508um [20u"] MIN. NICKEL PLATED.
  - REFLOW SOLDER CAPABLE TO 260°C PER TE SPEC. 109-201, CONDITION B.

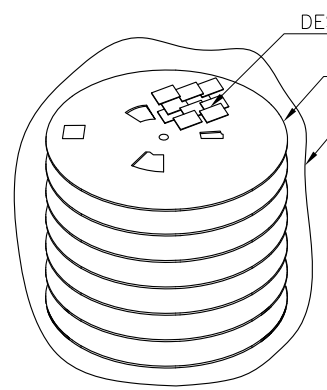
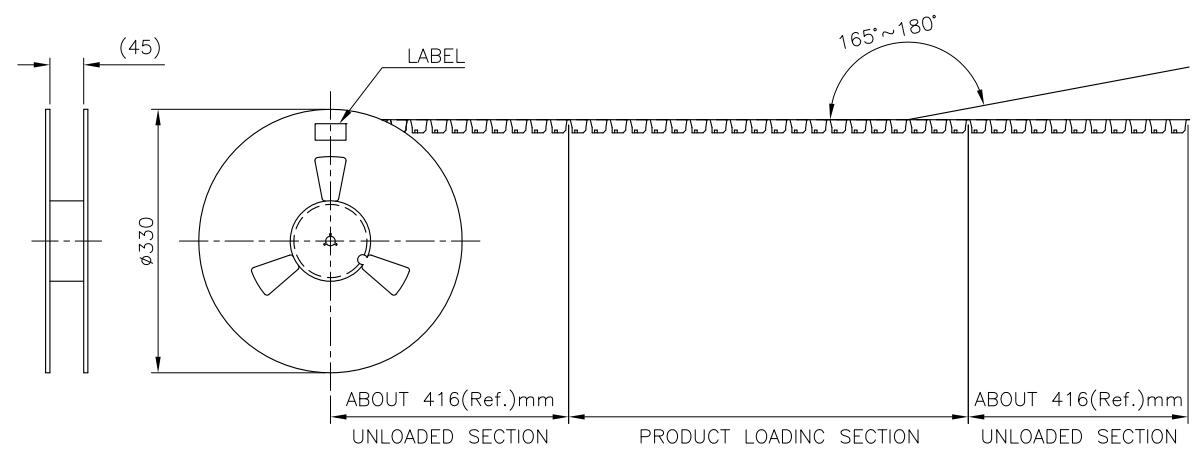


OBSOLETE	4.29	REEL TRAY	3.10	12.60	0.152um [6u"]	2-1775365-5
					1.27um [50u"]	1-1775365-4
	4.2200	REEL	3.38	12.75	0.762um [30u"]	1-1775365-3
					0.381um [15u"]	1-1775365-2
					0.152um [6u"]	1-1775365-1
					1.27um [50u"]	1-1775365-4
				0.762um [30u"]	1-1775365-3	
				0.381um [15u"]	1-1775365-2	
				0.152um [6u"]	1775365-1	
PRODUCT WEIGHT /PCS (g)	PACKAGE	DIM B	DIM A	MIN. GOLD THICKNESS	PART NUMBER	

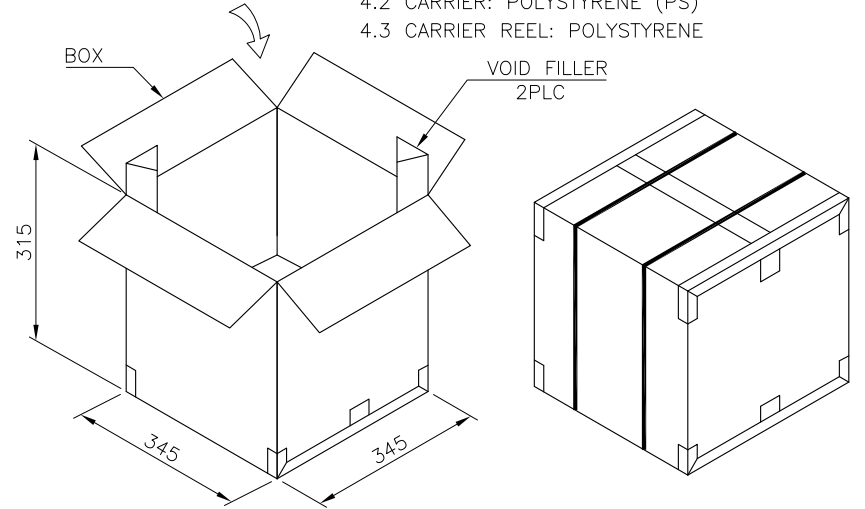
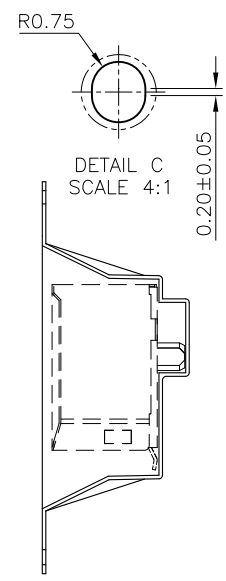
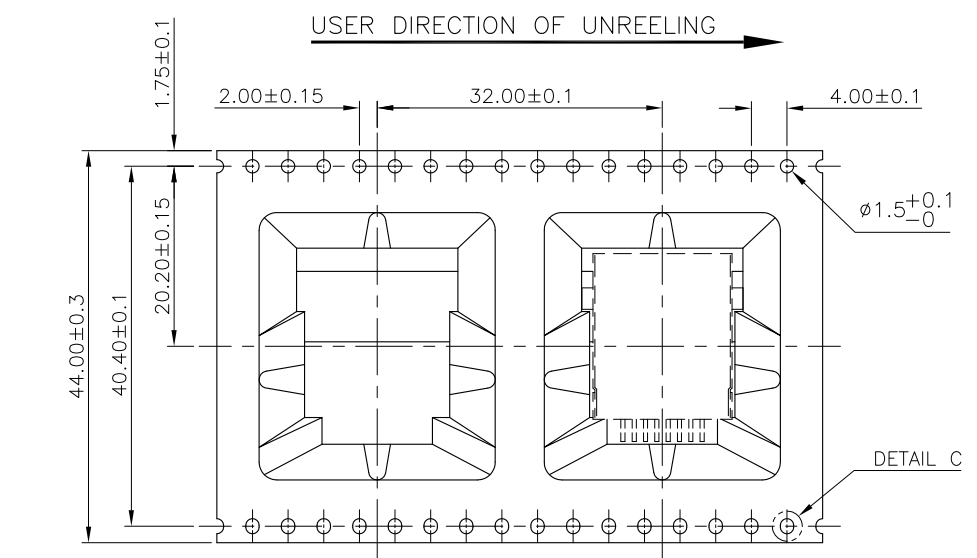
THIS DRAWING IS A CONTROLLED DOCUMENT.		DWN	B. HSING	18SEP2008	TE Connectivity
DIMENSIONS: mm		CHK	S. CHIEN	18SEP2008	
TOLERANCES UNLESS OTHERWISE SPECIFIED:		APVD	W. KODAMA	18SEP2008	MODULAR JACK CONNECTOR RJ45 ASSY, SIDE ENTRY, SHIELDED, TAB DOWN, SMT TYPE, H=11.8mm
0 PLC ± - 1 PLC ± 0.3 2 PLC ± 0.2 3 PLC ± 0.15 4 PLC ± - ANGLES ± ± 3°		PRODUCT SPEC	108-57535		
MATERIAL	SEE NOTE	FINISH	SEE NOTE	WEIGHT	SEE TABLE
CUSTOMER DRAWING		SCALE	SHEET 1 OF 3		REV G

THIS DRAWING IS UNPUBLISHED. RELEASED FOR PUBLICATION  
 © COPYRIGHT 2011 BY TYCO ELECTRONICS CORPORATION. ALL RIGHTS RESERVED.

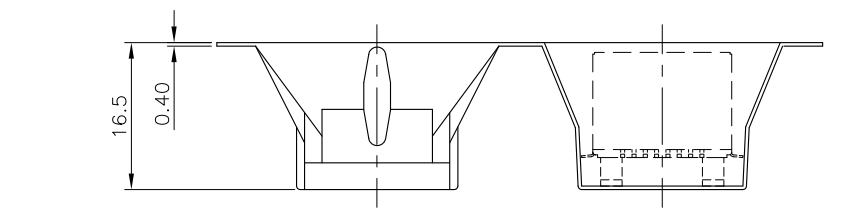
LOC	DIST	REVISIONS					
DW		P	LTR	DESCRIPTION	DATE	DWN	APVD
				SEE SHEET 1.			



- NOTE:
1. EACH BAG SHALL BE INCLUDED: \*DESICCANT
  2. PEELING STRENGTH: 0.1~1.3N(1~130 GRAMS) FOR 12~56mm WIDE CARRIER TAPES
  3. PEELING SPEED: 300mm/MINUTES.
  4. PACKAGING MATERIAL:
    - 4.1 COVER TAPE: COMPOSITE OF POLYETHYLENE TEREPHTHALATE (PET)
    - 4.2 CARRIER: POLYSTYRENE (PS)
    - 4.3 CARRIER REEL: POLYSTYRENE



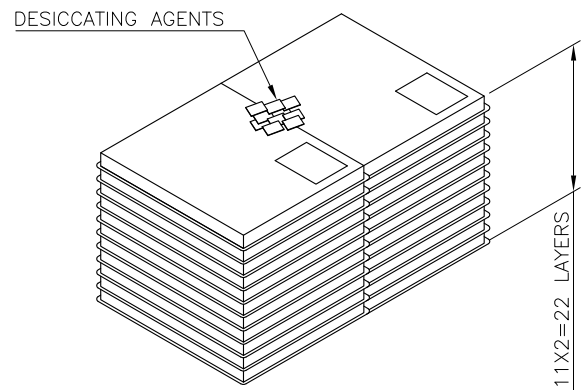
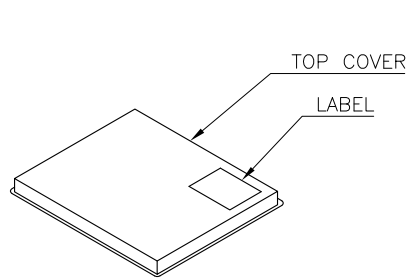
5.9 KG	2.84 KG				2-1775365-5
5.85 KG	2.79 KG	110	6	660	1-1775365-X 1775365-X
GROSS WEIGHT	NET WEIGHT	PCS/ REEL	REEL/ BOX	PCS/ BOX	PART NUMBER



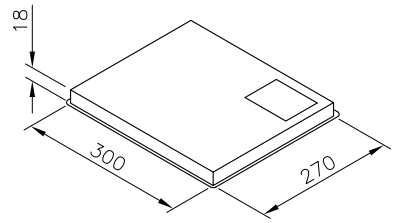
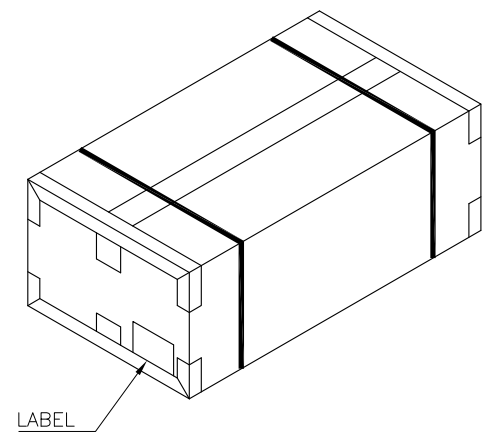
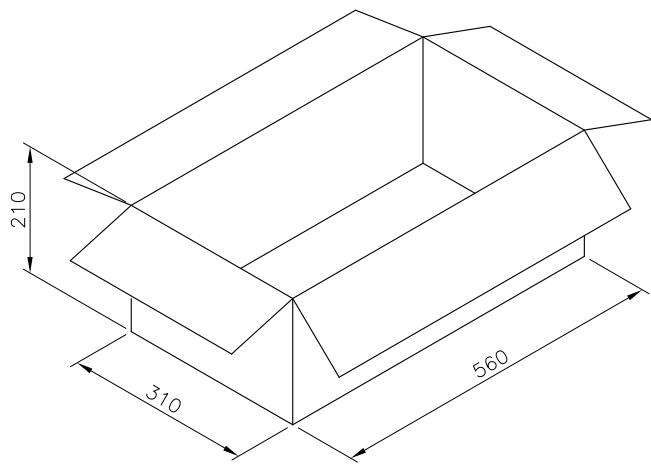
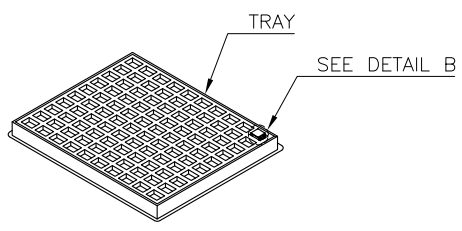
THIS DRAWING IS A CONTROLLED DOCUMENT.		DWN	TE Connectivity			
DIMENSIONS: mm		CHK	NAME			
TOLERANCES UNLESS OTHERWISE SPECIFIED:		APVD	MODULAR JACK CONNECTOR RJ45 ASSY, SIDE ENTRY, SHIELDED, TAB DOWN, SMT TYPE, H=11.8mm			
0 PLC ± - 1 PLC ± 0.3 2 PLC ± 0.2 3 PLC ± 0.15 4 PLC ± - ANGLES ± 3°		PRODUCT SPEC	SIZE			
MATERIAL		APPLICATION SPEC	CAGE CODE	DRAWING NO	RESTRICTED TO	
FINISH		WEIGHT	A3	00779	C=1775365	
CUSTOMER DRAWING			SCALE	SHEET	2 of 3	REV G

THIS DRAWING IS UNPUBLISHED. RELEASED FOR PUBLICATION  
 © COPYRIGHT 2011 BY TYCO ELECTRONICS CORPORATION. ALL RIGHTS RESERVED.

LOC		DIST		REVISIONS					
DW				P	LTR	DESCRIPTION	DATE	DWN	APVD
						SEE SHEET 1.			



- NOTES:
- MATERIAL:
    - 1.1 TRAY: PVC.
    - 1.2 BOX: CORRUGATED FIBER.
  - DIMENSION: SEE DRAWING
  - QUANTITY: SEE TABLE
  - WEIGHT: SEE TABLE
  - EACH BAG SHALL BE INCLUDED: DESICCANT



14.1 KG	9.5 KG	100	22	2200	2-1775365-1
GROSS WEIGHT	NET WEIGHT	PCS/ TRAY	TRAY/ BOX	PCS/ BOX	PART NUMBER

THIS DRAWING IS A CONTROLLED DOCUMENT.		DWN	-		
DIMENSIONS: mm		CHK	-		
TOLERANCES UNLESS OTHERWISE SPECIFIED:		APVD	-		
0 PLC ± -		PRODUCT SPEC	-		
1 PLC ± 0.3		APPLICATION SPEC	-		
2 PLC ± 0.2		WEIGHT	-		
3 PLC ± 0.15		NAME			
4 PLC ± -		MODULAR JACK CONNECTOR			
ANGLES ± 3'		RJ45 ASSY, SIDE ENTRY, SHIELDED, TAB DOWN, SMT TYPE, H=11.8mm			
MATERIAL	FINISH	SIZE	CAGE CODE	DRAWING NO	RESTRICTED TO
		A3	00779	C=1775365	-
CUSTOMER DRAWING			SCALE	SHEET	REV
			-	3 of 3	G