



Chipsmall Limited consists of a professional team with an average of over 10 year of expertise in the distribution of electronic components. Based in Hongkong, we have already established firm and mutual-benefit business relationships with customers from,Europe,America and south Asia,supplying obsolete and hard-to-find components to meet their specific needs.

With the principle of “Quality Parts,Customers Priority,Honest Operation,and Considerate Service”,our business mainly focus on the distribution of electronic components. Line cards we deal with include Microchip,ALPS,ROHM,Xilinx,Pulse,ON,Everlight and Freescale. Main products comprise IC,Modules,Potentiometer,IC Socket,Relay,Connector.Our parts cover such applications as commercial,industrial, and automotives areas.

We are looking forward to setting up business relationship with you and hope to provide you with the best service and solution. Let us make a better world for our industry!



Contact us

Tel: +86-755-8981 8866 Fax: +86-755-8427 6832

Email & Skype: info@chipsmall.com Web: www.chipsmall.com

Address: A1208, Overseas Decoration Building, #122 Zhenhua RD., Futian, Shenzhen, China

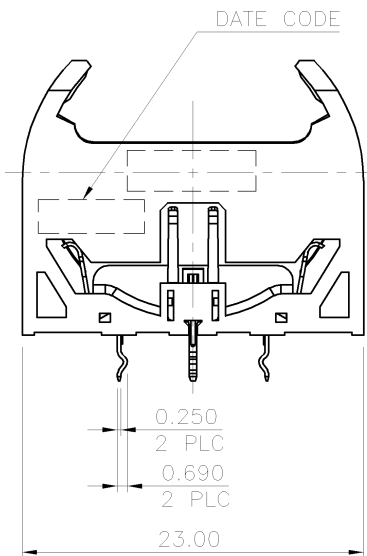
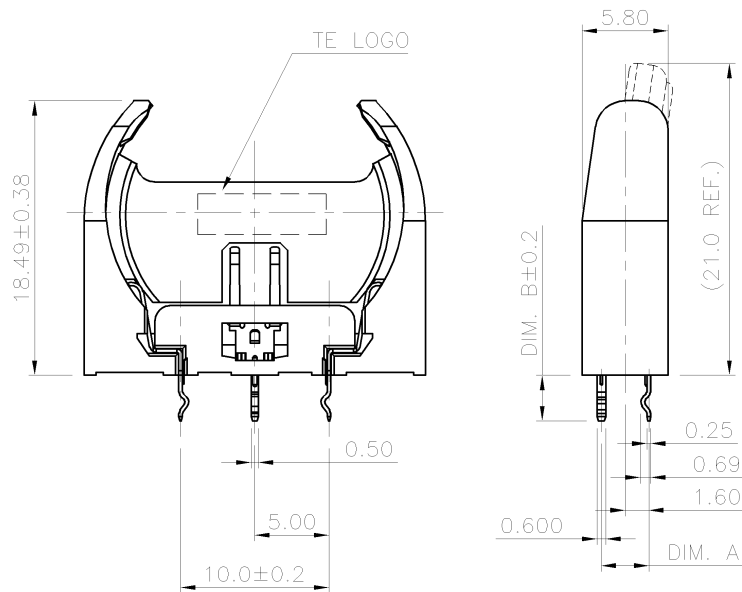


LOC DW

DIST

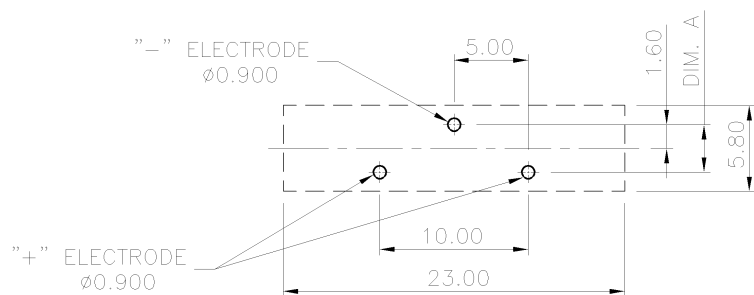
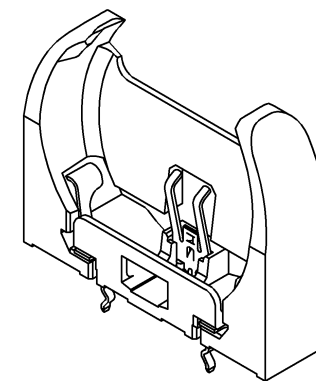
REVISIONS

P	LTR	DESCRIPTION	DATE	DWN	APVD
A6		REVISED (ECR-12-021399)	21DEC12	JL	WK

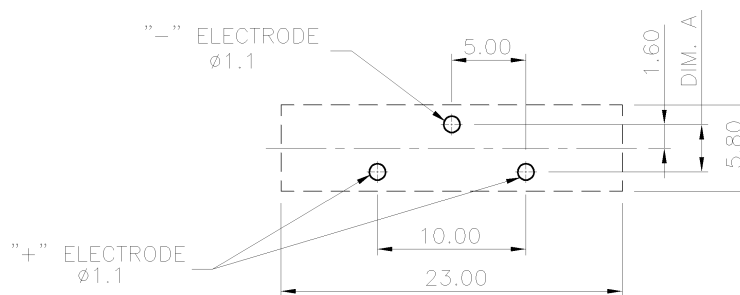


NOTES :

- MATERIAL :
 - HOUSING: NY66 WITH 25% GF, UL94 V-0, COLOR: SEE TABLE
 - CONTACT: STAINLESS STEEL
- FINISH :
 - CONTACT
 - GOLD FLASH PLATING ON CONTACT AREA, 2.54um [100u"] MIN. MATTE-TIN PLATING ON SOLDERING AREA. 0.76um [30u"] MIN. NICKEL UNDERPLATING OVERALL.
- WAVE SOLDER CAPABLE TO 265°C PER TE SPEC. 109-202, CONDITION B.
- RECOMMENDED PCB THICKNESS: 1.6mm
- SUITABLE FOR BATTERY NO.: CR2032.
- LOW PCB RETENTION FORCE.



RECOMMENDED PCB HOLE LAYOUT
PCB TOLERANCE ±0.05



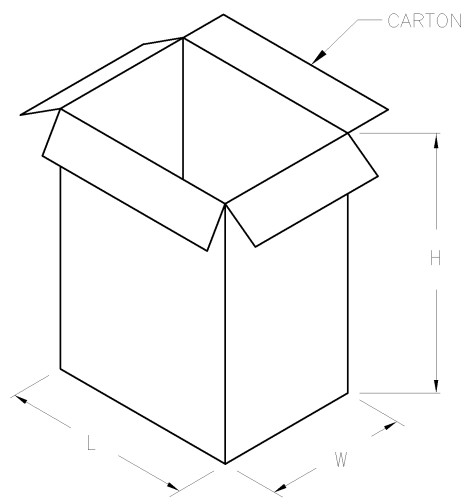
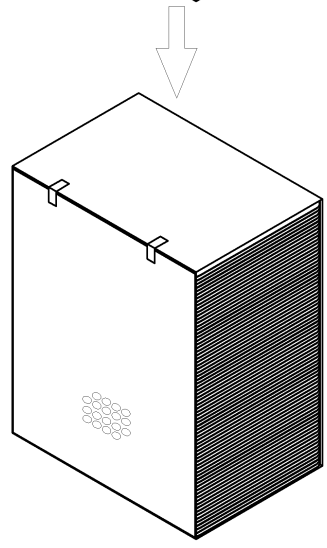
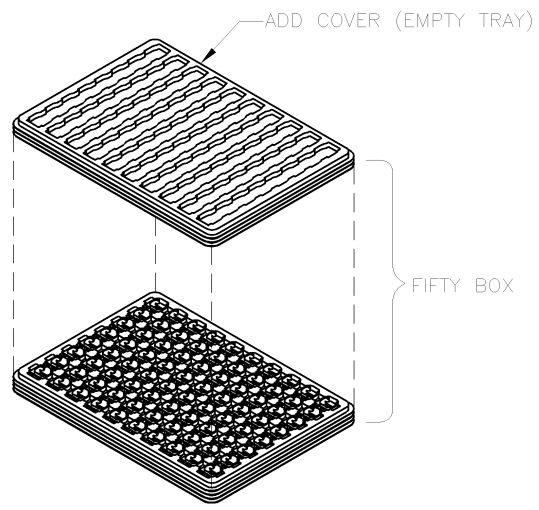
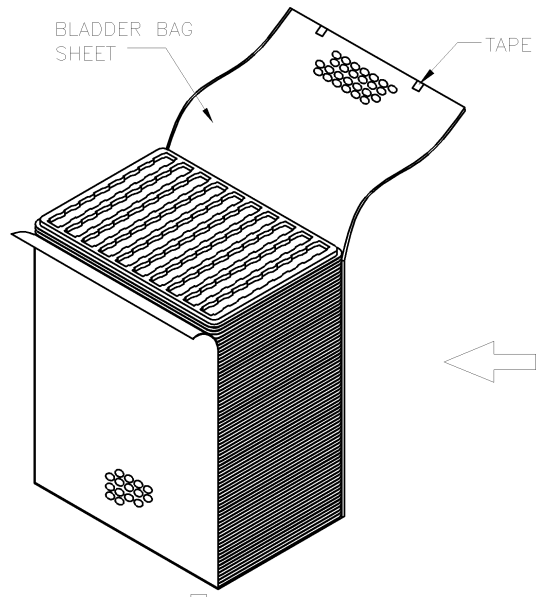
RECOMMENDED PCB HOLE LAYOUT
PCB TOLERANCE ±0.05

3.6 mm	3.6 mm	BLACK	2-1775485-1
3.0 mm	3.2 mm	2718C BLUE	1-1775485-2
		BLACK	1-1775485-1
3.0 mm	3.6 mm	2718C BLUE	1775485-2
		BLACK	1775485-1
DIM B	DIM A	HOUSING COLOR	PART NO.

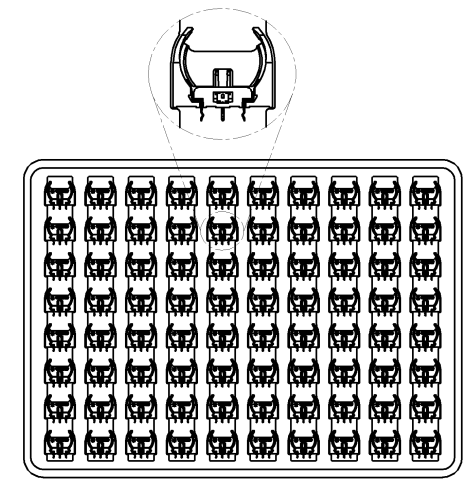
THIS DRAWING IS A CONTROLLED DOCUMENT.		DWN S. CHIEN 03JUN2008	<p>TE Connectivity</p> <p>BATTERY HOLDER, H=18.5mm, V/T</p>											
DIMENSIONS: MM		CHK S. CHIEN 03JUN2008												
TOLERANCES UNLESS OTHERWISE SPECIFIED:		APVD W. KODAMA 03JUN2008												
<table border="0"> <tr><td>0 PLC</td><td>± -</td></tr> <tr><td>1 PLC</td><td>± 0.38</td></tr> <tr><td>2 PLC</td><td>± 0.25</td></tr> <tr><td>3 PLC</td><td>± 0.15</td></tr> <tr><td>4 PLC</td><td>± -</td></tr> <tr><td>ANGLES</td><td>± 2'</td></tr> </table>		0 PLC		± -	1 PLC	± 0.38	2 PLC	± 0.25	3 PLC	± 0.15	4 PLC	± -	ANGLES	± 2'
0 PLC	± -													
1 PLC	± 0.38													
2 PLC	± 0.25													
3 PLC	± 0.15													
4 PLC	± -													
ANGLES	± 2'													
MATERIAL SEE NOTE	FINISH SEE NOTE	<p>108-57542</p> <p>QUALIFICATION TEST REPORT</p> <p>501-57624</p> <p>WEIGHT 1.19 GRAMS</p> <p>CUSTOMER DRAWING</p>	<p>SIZE A3</p> <p>CAGE CODE 00779</p> <p>DRAWING NO. C=1775485</p> <p>RESTRICTED TO</p>											
		SCALE	SHEET 1 of 2											
		REV A6												

THIS DRAWING IS UNPUBLISHED. RELEASED FOR PUBLICATION AUG ,2006.
 © COPYRIGHT - BY TYCO ELECTRONICS CORPORATION. ALL RIGHTS RESERVED.

LOC	DIST	REVISIONS					
DW		P	LTR	DESCRIPTION	DATE	DWN	APVD
				SEE SHEET 1.			



- NOTES :
- MATERIAL:
 - 1.1 TRAY: PVC
 - 1.2 SHIPPING CARTON: CORRUGATED FIBERBOARD
 - DIMENSION:
 - 2.1 TRAY: L=345, W=250, H=7.4
 - 2.2 SHIPPING CARTON: L=365, W=270, H=325
 - QUANTITY:
 - 3.1 PRIMARY PACKING: 80 PCS/TRAY
 - 3.2 SECONDARY PACKING: 50 TRAY/CARTON(4,000PCS)
 - CARTON WEIGHT:
 - 4.1 NET WEIGHT: 4.76 KG
 - 4.2 GROSS WEIGHT: 8.26 KG



THIS DRAWING IS A CONTROLLED DOCUMENT.		DWN	STE TE Connectivity			
DIMENSIONS: MM		CHK				
TOLERANCES UNLESS OTHERWISE SPECIFIED:		APVD	NAME			
0 PLC ± .		PRODUCT SPEC	BATTERY HOLDER, H=18.5mm, V/T			
1 PLC ± .		APPLICATION SPEC	SIZE	CAGE CODE	DRAWING NO	RESTRICTED TO
2 PLC ± .		WEIGHT	A3	00779	C=1775485	
3 PLC ± .			CUSTOMER DRAWING			SCALE
4 PLC ± .						SHEET 2 of 2
ANGLES ± .						REV A6
FINISH						