



Chipsmall Limited consists of a professional team with an average of over 10 year of expertise in the distribution of electronic components. Based in Hongkong, we have already established firm and mutual-benefit business relationships with customers from,Europe,America and south Asia,supplying obsolete and hard-to-find components to meet their specific needs.

With the principle of “Quality Parts,Customers Priority,Honest Operation,and Considerate Service”,our business mainly focus on the distribution of electronic components. Line cards we deal with include Microchip,ALPS,ROHM,Xilinx,Pulse,ON,Everlight and Freescale. Main products comprise IC,Modules,Potentiometer,IC Socket,Relay,Connector.Our parts cover such applications as commercial,industrial, and automotives areas.

We are looking forward to setting up business relationship with you and hope to provide you with the best service and solution. Let us make a better world for our industry!



## Contact us

Tel: +86-755-8981 8866 Fax: +86-755-8427 6832

Email & Skype: info@chipsmall.com Web: www.chipsmall.com

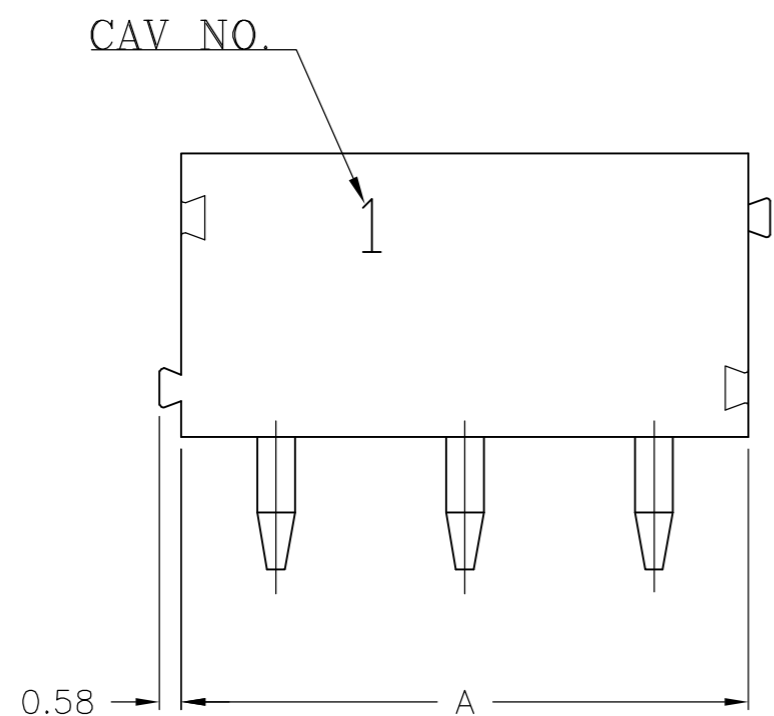
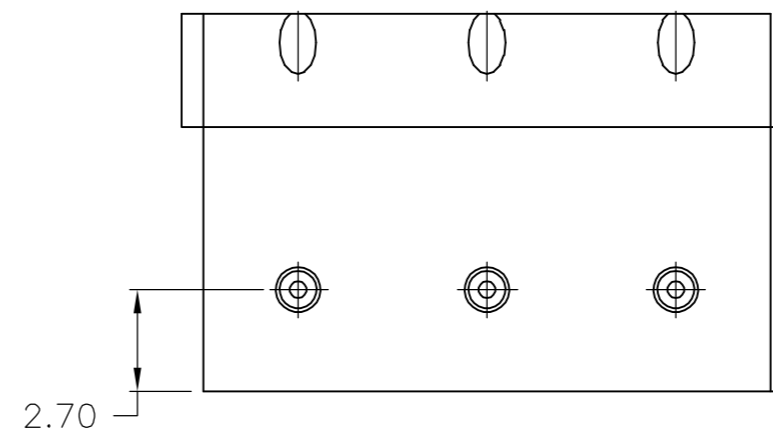
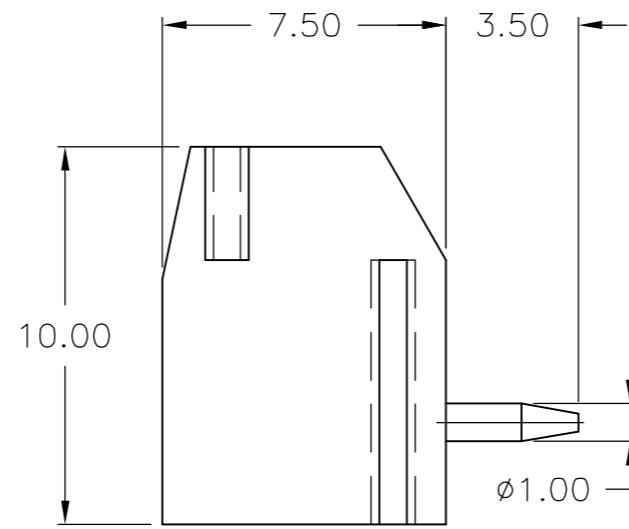
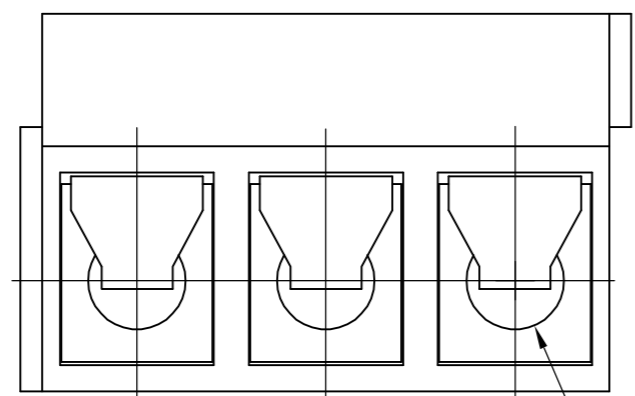
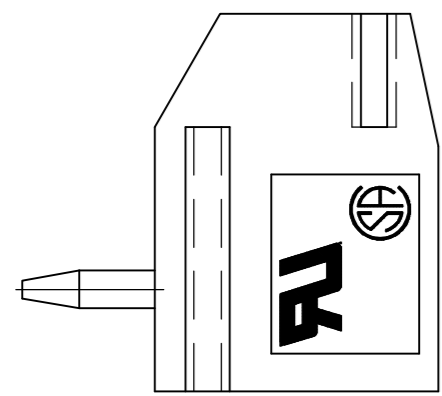
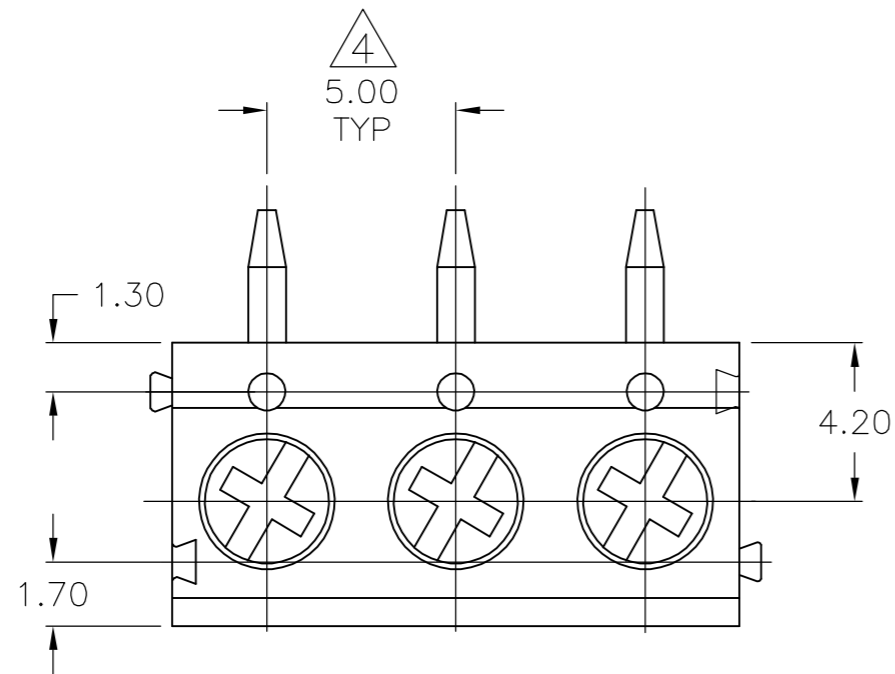
Address: A1208, Overseas Decoration Building, #122 Zhenhua RD., Futian, Shenzhen, China



THIS DRAWING IS UNPUBLISHED. RELEASED FOR PUBLICATION  
 © COPYRIGHT BY TYCO ELECTRONICS CORPORATION. ALL RIGHTS RESERVED.

Loc		DIST		REVISIONS			
P	LTR	DESCRIPTION		DATE	DWN	APVD	
01		REVISED PER ECO-06-16790		7/13/06	SS	CR	

1. ALL DIMENSIONS ARE IN mm'S.
  2. RECOMMENDED PCB HOLES DIAMETER:  $\phi$ 1.20mm TO  $\phi$ 1.40.
  3. BUCHANAN LOGO TO APPEAR ON HOUSING LOCATION OPTIONAL WHERE SPACE PERMITS.
- $\triangle$  NON CUMULATIVE



1776267-3 AS SHOWN

120.00	24	2-1776267-4
115.00	23	2-1776267-3
110.00	22	2-1776267-2
105.00	21	2-1776267-1
100.00	20	2-1776267-0
95.00	19	1-1776267-9
90.00	18	1-1776267-8
85.00	17	1-1776267-7
80.00	16	1-1776267-6
75.00	15	1-1776267-5
70.00	14	1-1776267-4
65.00	13	1-1776267-3
60.00	12	1-1776267-2
55.00	11	1-1776267-1
50.00	10	1-1776267-0
45.00	9	1776267-9
40.00	8	1776267-8
35.00	7	1776267-7
30.00	6	1776267-6
25.00	5	1776267-5
20.00	4	1776267-4
15.00	3	1776267-3
10.00	2	1776267-2
DIM. A	NO. OF POS.	PART NUMBER

THIS DRAWING IS A CONTROLLED DOCUMENT.		DWN	S SCHLEGEL	5/6/05	Tyco Electronics Corporation Harrisburg, Pa 17105-3608
DIMENSIONS: mm		CHK	C RICHARD	5/6/05	
TOLERANCES UNLESS OTHERWISE SPECIFIED:		APVD	C RICHARD	5/6/05	
0 PLC ± - 1 PLC ± 0.3 2 PLC ± 0.25 3 PLC ± - 4 PLC ± - ANGLES ± - FINISH -		PRODUCT SPEC	-	NAME	
MATERIAL	-	WEIGHT	-	SIZE	A2
CUSTOMER DRAWING		SCALE	4:1	SHEET	1 OF 2
		REV	01		

THIS DRAWING IS UNPUBLISHED. RELEASED FOR PUBLICATION  
 © COPYRIGHT BY TYCO ELECTRONICS CORPORATION. ALL RIGHTS RESERVED.

LOC	DIST	REVISIONS					
FT	0	P	LTR	DESCRIPTION	DATE	DWN	APVD
		-		SEE SHEET 1	-	-	-

1. Application and Features:

- 1-1. Standard sizes are 2 and 3 way-blocks, but every number of contact can be combined, by simply plugging them together and can be ordered as required\*\*
- 1-2. With wire guard for wire protection (for that the screw doesn't press directly on the wire)

2-3. Mechanical:

- 2-3-1. Torque: 4 Kg.cm (Max).
- 2-3-2. Operating temperature: -55°C to +105°C.
- 2-3-3. Solderability: 95% coverage (min).


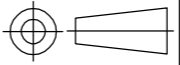
2. Technical Data:

2-1. Material:

- 2-1-1. HOUSING: NYLON 6.6, UL 94 V-0 (Green).
- 2-1-2. Metal Housing: Brass(Cu Zn)  
Cu,Tin plated.
- 2-1-3. Wire guard: Stainless steel.
- 2-1-4. Screw: Steel galvanized and chromitized, M2.6

2-2. Electrical:

- 2-2-1. Current rating: 10 Amps/way max.
- 2-2-2. Contact resistance: 20mΩ (Max).
- 2-2-3. Insulation resistance: 5000MΩ /1000V.
- 2-2-4. Withstanding Voltage: 1500VAC (1min).  
test time =60sec/1pcs
- 2-2-5. Operation Voltage: 300 VAC.
- 2-2-6. Wire Range: 14-22 AWG.

THIS DRAWING IS A CONTROLLED DOCUMENT.		DWN	S SCHLEGEL	5/6/05	 Tyco Electronics Corporation Harrisburg, Pa 17105-3608
DIMENSIONS: mm		CHK	C RICHARD	5/6/05	
		APVD	C RICHARD	5/6/05	
TOLERANCES UNLESS OTHERWISE SPECIFIED:		PRODUCT SPEC		NAME	
0 PLC ± -		APPLICATION SPEC		TERMINAL BLOCK PCB MOUNT, TOP WIRE ENTRY, LOW PROFILE W/ INTERLOCK, 5.0mm PITCH HIGH TEMP	
1 PLC ± 0.3		WEIGHT		SIZE	
2 PLC ± 0.25		-		CAGE CODE	
3 PLC ± -		-		DRAWING NO	
4 PLC ± -		-		RESTRICTED TO	
ANGLES ± -		-		A2 00779 C=1776267	
FINISH		-		SCALE	
-		-		4:1	
-		-		SHEET	
-		-		2 OF 2	
-		-		REV	
-		-		01	
-		-		CUSTOMER DRAWING	