



Chipsmall Limited consists of a professional team with an average of over 10 year of expertise in the distribution of electronic components. Based in Hongkong, we have already established firm and mutual-benefit business relationships with customers from,Europe,America and south Asia,supplying obsolete and hard-to-find components to meet their specific needs.

With the principle of “Quality Parts,Customers Priority,Honest Operation,and Considerate Service”,our business mainly focus on the distribution of electronic components. Line cards we deal with include Microchip,ALPS,ROHM,Xilinx,Pulse,ON,Everlight and Freescale. Main products comprise IC,Modules,Potentiometer,IC Socket,Relay,Connector.Our parts cover such applications as commercial,industrial, and automotives areas.

We are looking forward to setting up business relationship with you and hope to provide you with the best service and solution. Let us make a better world for our industry!



Contact us

Tel: +86-755-8981 8866 Fax: +86-755-8427 6832

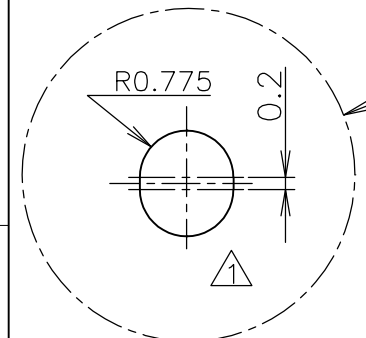
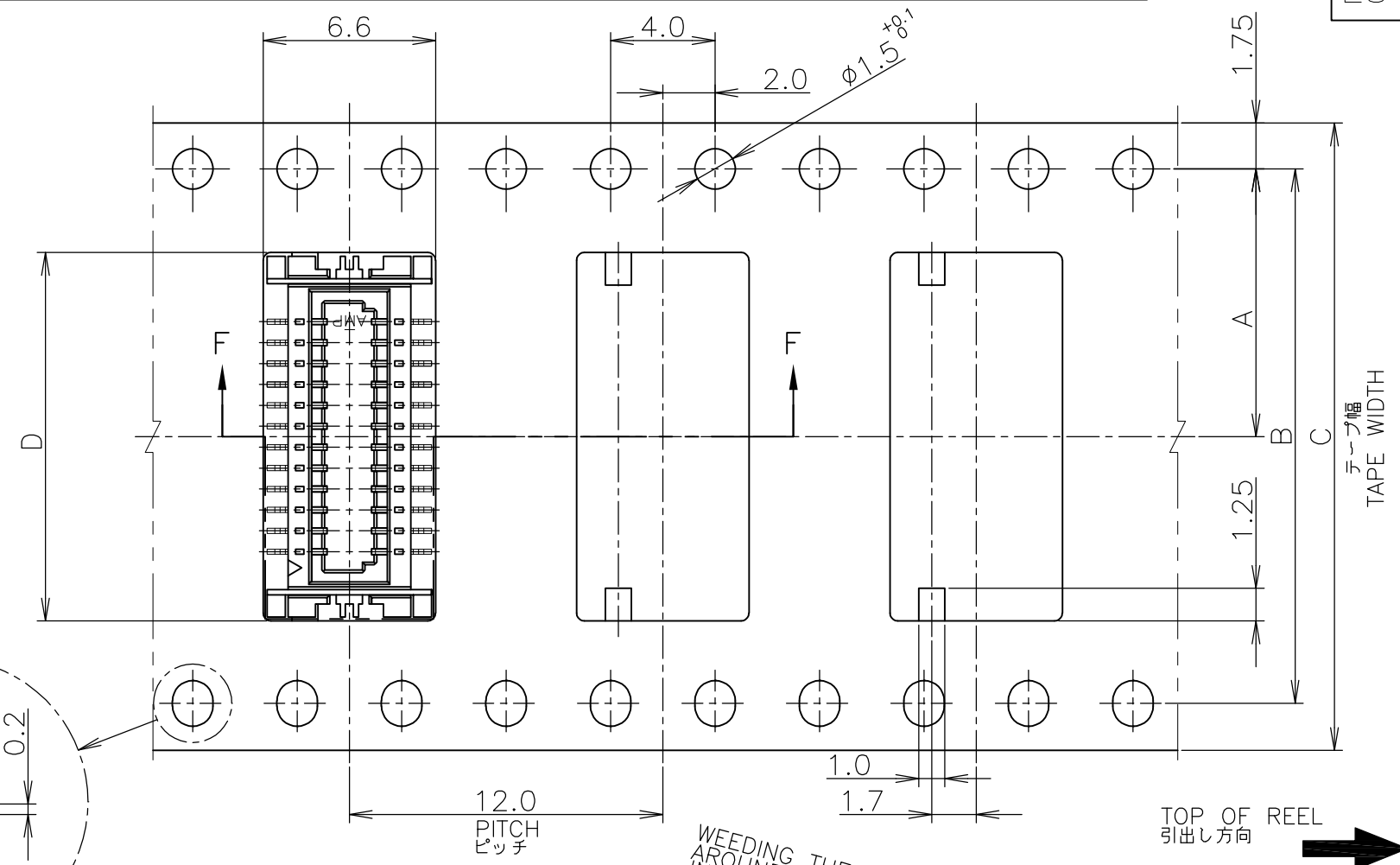
Email & Skype: info@chipsmall.com Web: www.chipsmall.com

Address: A1208, Overseas Decoration Building, #122 Zhenhua RD., Futian, Shenzhen, China

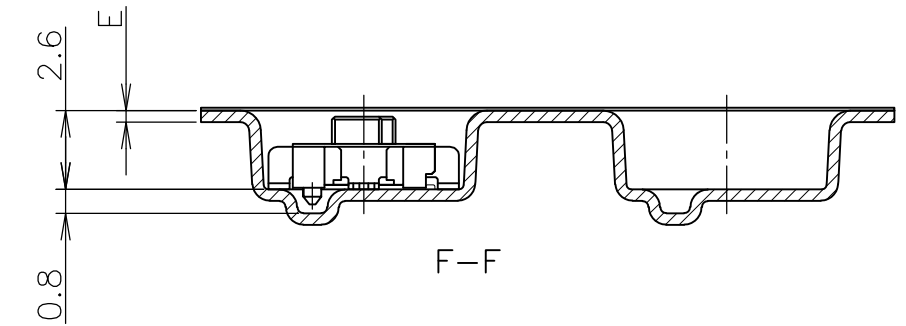


THIS DRAWING IS UNPUBLISHED. RELEASED FOR PUBLICATION FEB, 1994.
 © COPYRIGHT 1994 By - ALL RIGHTS RESERVED.

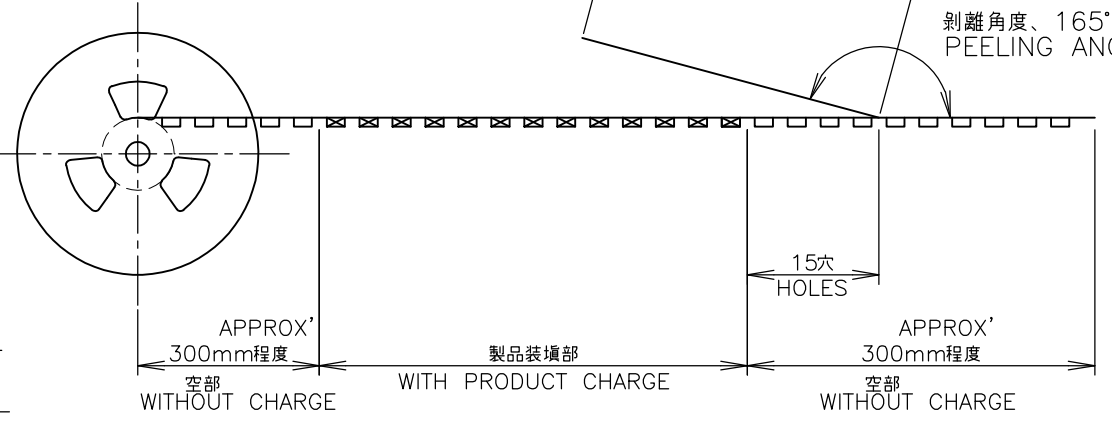
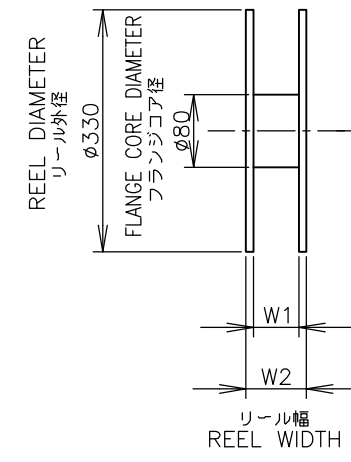
LOC	DIST	REVISIONS					
ES		P	LTR	DESCRIPTION	DATE	DWN	APVD
			H	REVISED ECR-07-019218	14AUG07	T.T	T.F
			H2	REVISED PER ECR-11-005694	27OCT11	B.L	S.Y



△ 指示穴は40極品以上に適用。
 △ THESE HOLES ARE APPLIED TO 40 POS OR MORE.



WEEDING THE COVER TAPE AROUND THE OUTER PERIPHERY IN A TURN.
 カバーテープリーダー部外周一巻
 剥離角度、165°~180°
 PEELING ANGLE.



② OBSOLETE	49.5	45.5	0.38	24.5	44	40.4	20.2	1500	50	5-179396-0
	37.5	33.5	↑	20.5	32	28.4	14.2	↑	40	4-↑-0
	↑	↑		16.5	↑	---	↑		30	3-↑-0
	29.5	25.5		14.1	24	---	11.5		24	2-↑-4
	↑	↑		10.9	↑	---	↑		16	1-↑-6
	21.5	17.5	0.38	10.1	↑	---			14	1-↑-4
	22.4	16.4	0.4	9.3	16	---	7.5	1500	12	1-179396-2
	W2	W1	E	D	C	B	A	数量 (ヶ) QTY/REEL	極数 POS	リール巻コネクタ型番 TAPING P/N

INSTRUCTION SHEET 取扱説明書 411-5654

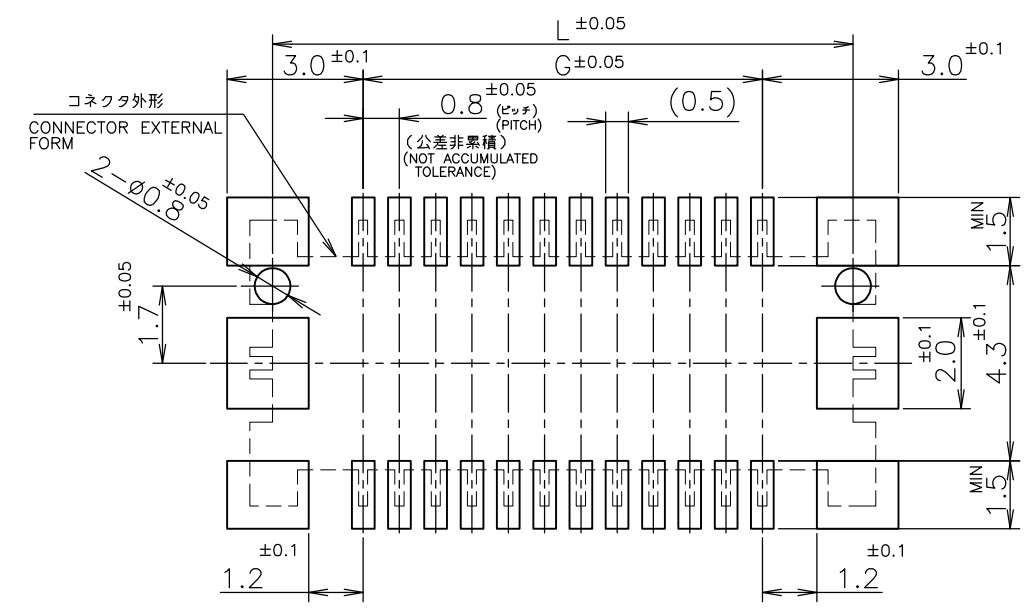
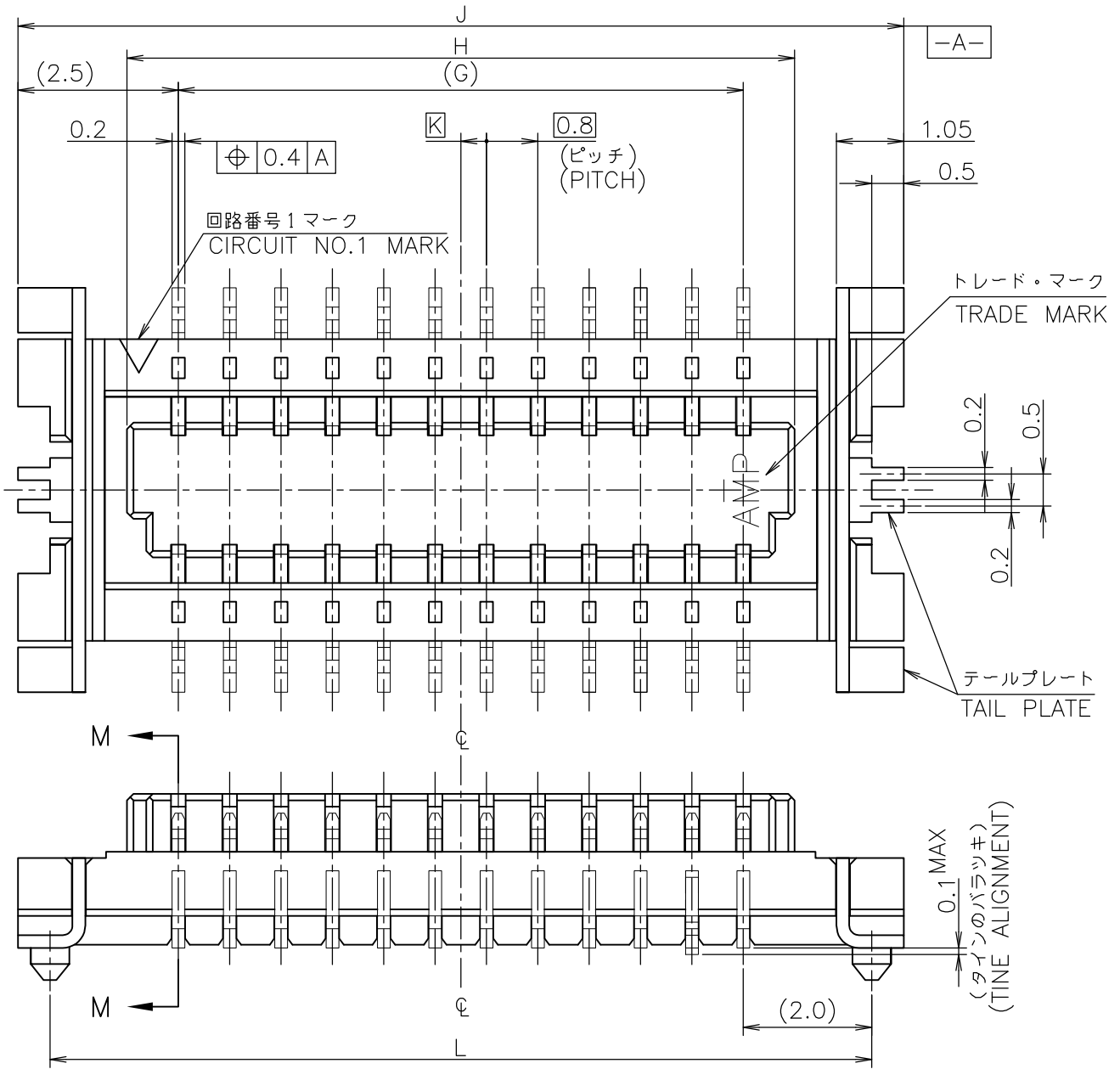
THIS DRAWING IS A CONTROLLED DOCUMENT.

DIMENSIONS: 単位: 耗 mm	TOLERANCES UNLESS OTHERWISE SPECIFIED: 一般公差	DWN K.ASAKAWA 24FEB94	STE TE Connectivity
0 PLC ± 0.2	1 PLC ± 0.2	CHK S.KUBOUCHI 24FEB94	
2 PLC ± 0.2	3 PLC ± 0.2	APVD S.KUBOUCHI 01NOV96	ON TAPING EMBOSS PLUG ASSEMBLY WITH BOSS 0.8mm PITCH BOARD TO BOARD CONNECTOR MATING HEIGHT 3.0mm
4 PLC ± 0.2	ANGLES ± 3'	NAME 名称	
MATERIAL 材料	FINISH 仕上	PRODUCT SPEC 製品規格 108-5424	SIZE A3
		APPLICATION SPEC 取付適用規格	CAGE CODE 00779
		WEIGHT	DRAWING NO. 179396
			RESTRICTED TO

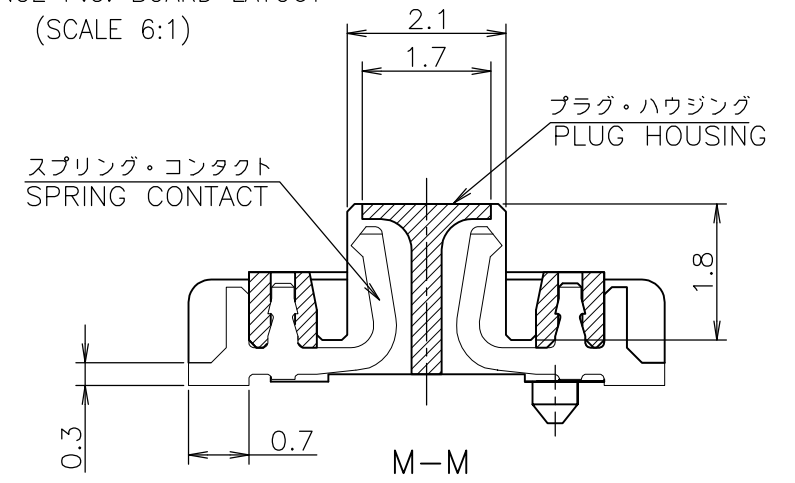
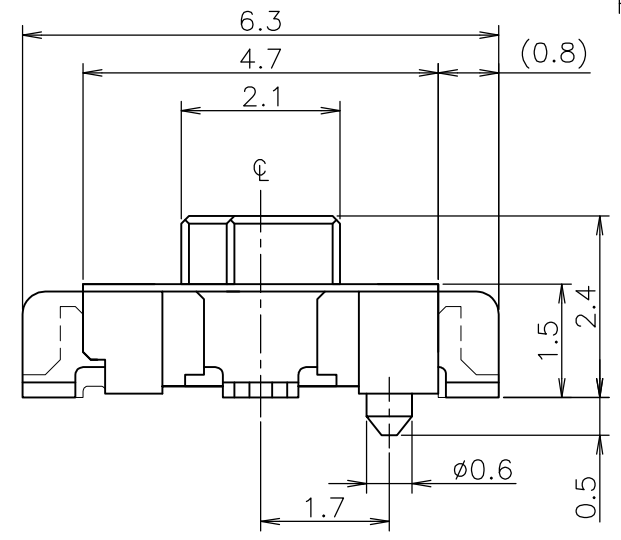
CUSTOMER DRAWING SCALE 尺度 4:1 SHEET 1 OF 2 REV H2

THIS DRAWING IS UNPUBLISHED. RELEASED FOR PUBLICATION FEB, 1994.
 © COPYRIGHT 1994 By - ALL RIGHTS RESERVED.

LOC	DIST	REVISIONS			DATE	DWN	APVD
		P	LTR	DESCRIPTION			
ES		-		SEE SHEET 1	-	-	-



参考基板加工寸法 (t=0.6 MIN.)
 REFERENCE P.C. BOARD LAYOUT
 (SCALE 6:1)



△ 材料: ハウジング - 6T NYLON (高耐熱性ナイロン)
 ガラス30%, 色: ベージュ
 コンタクト - 燐青銅・錫めっき(0.2t)
 テールプレート - 燐青銅・錫めっき(0.2t)

△ MATERIAL: HOUSING - 6T NYLON (HIGH HEAT-RESISTED NYLON), GF30%,
 COLOR: BEIGE.
 CONTACT - POST-TIN/PHOS-BROZ(0.2t)
 TAIL PLATE - POST-TIN/PHOS-BROZ(0.2t)

0.410	23.2	---	24.2	20.75	19.2	50
-0.340	19.2	0.4	20.2	16.75	15.2	40
0.270	15.2	---	16.2	12.75	11.2	30
0.228	12.8	0.4	13.8	10.35	8.8	24
0.172	9.6	0.4	10.6	7.15	5.6	16
0.158	8.8	---	9.8	6.35	4.8	14
0.144	8.0	0.4	9.0	5.55	4.0	12
重量(g) WEIGHT	L	K	J	H	G	極数 POS

THIS DRAWING IS A CONTROLLED DOCUMENT.

DIMENSIONS: 単位: 耗 mm

TOLERANCES UNLESS OTHERWISE SPECIFIED: 一般公差

0 PLC	± 0.2
1 PLC	± 0.2
2 PLC	± 0.2
3 PLC	± 0.2
4 PLC	± 0.2
ANGLES	$\pm 3'$

MATERIAL 材料 SEE NOTE △ 注 △ 参照

FINISH 仕上 SEE NOTE △ 注 △ 参照

DWN
CHK
APVD
PRODUCT SPEC 製品規格
APPLICATION SPEC 取付適用規格
WEIGHT

STE TE Connectivity

NAME 名称 ON TAPING EMBOSS PLUG ASSEMBLY WITH BOSS
 0.8mm PITCH BOARD TO BOARD CONNECTOR
 MATING HEIGHT 3.0mm

SIZE A3 CAGE CODE 00779 DRAWING NO. 番号 G-179396 RESTRICTED TO

CUSTOMER DRAWING SCALE 尺度 10:1 SHEET 2 OF 2 REV H2