



Chipsmall Limited consists of a professional team with an average of over 10 year of expertise in the distribution of electronic components. Based in Hongkong, we have already established firm and mutual-benefit business relationships with customers from,Europe,America and south Asia,supplying obsolete and hard-to-find components to meet their specific needs.

With the principle of “Quality Parts,Customers Priority,Honest Operation,and Considerate Service”,our business mainly focus on the distribution of electronic components. Line cards we deal with include Microchip,ALPS,ROHM,Xilinx,Pulse,ON,Everlight and Freescale. Main products comprise IC,Modules,Potentiometer,IC Socket,Relay,Connector.Our parts cover such applications as commercial,industrial, and automotives areas.

We are looking forward to setting up business relationship with you and hope to provide you with the best service and solution. Let us make a better world for our industry!



Contact us

Tel: +86-755-8981 8866 Fax: +86-755-8427 6832

Email & Skype: info@chipsmall.com Web: www.chipsmall.com

Address: A1208, Overseas Decoration Building, #122 Zhenhua RD., Futian, Shenzhen, China

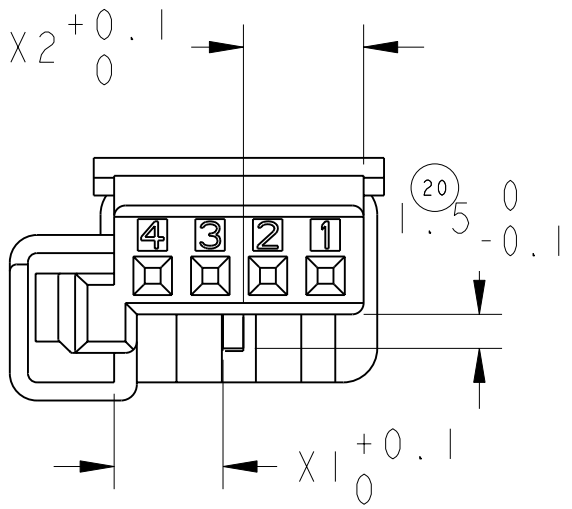


THIS DRAWING IS UNPUBLISHED. / DIFFUSION RESTREINTE
 RELEASED FOR PUBLICATION / LIBRE A LA DIFFUSION
 BY TYCO ELECTRONICS CORPORATION. ALL RIGHTS RESERVED. / TOUS DROITS RESERVES

LOC	DIST	REVISIONS					
		P	LTR	DESCRIPTION MODIFICATIONS	DATE	DWN DESS.	APVD APP.
F	7	A		ADD RADIUS ON THE LOCKING LANCE RIB.	22JUN2001	SA	JJR
		B		TE UPDATE - MARKING POSITION UPDATED	25JAN2011	EC	XR

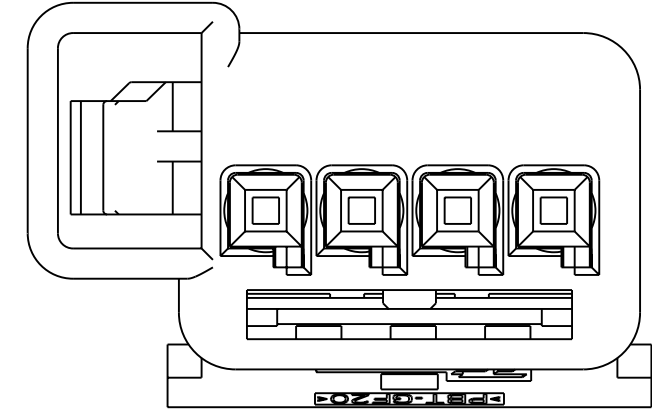
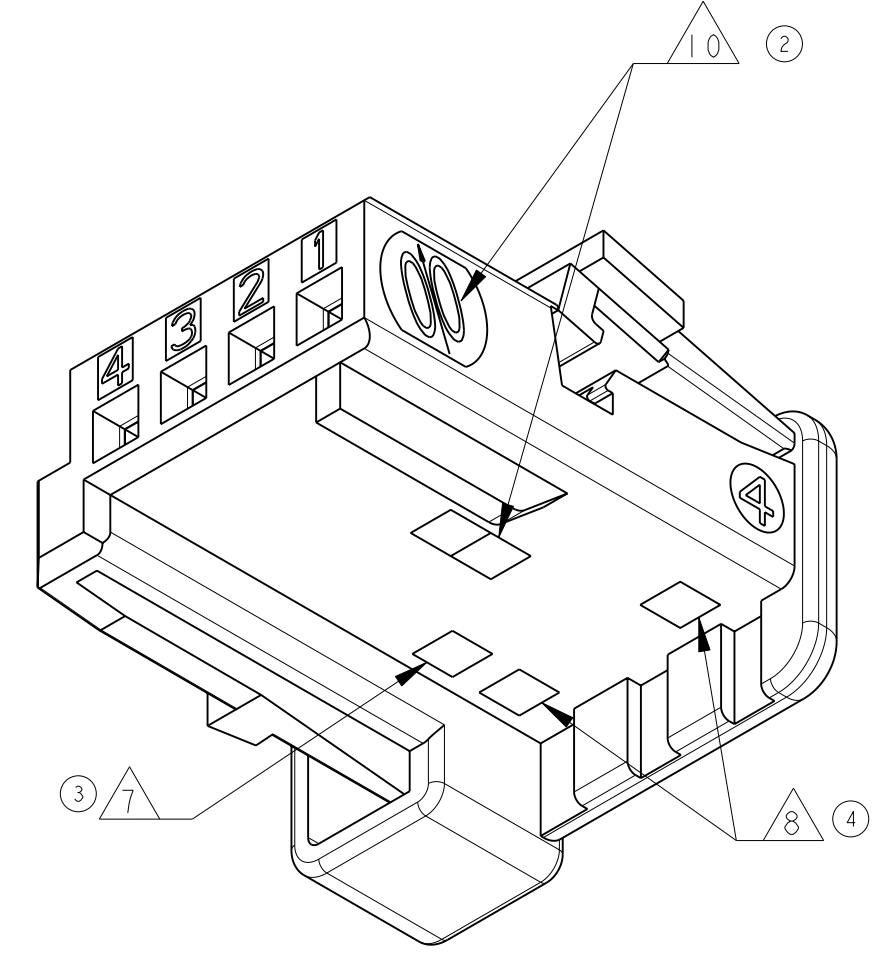
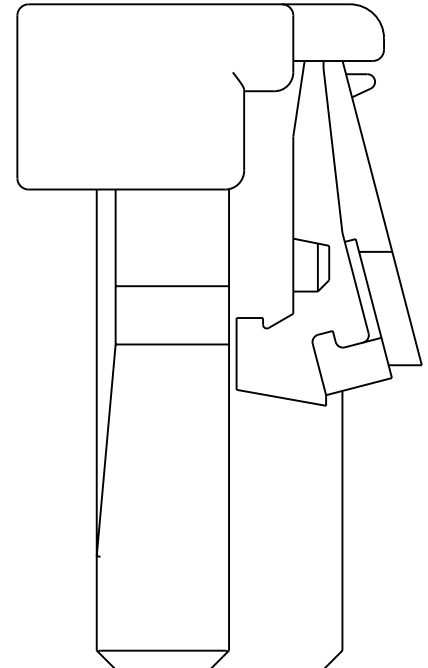
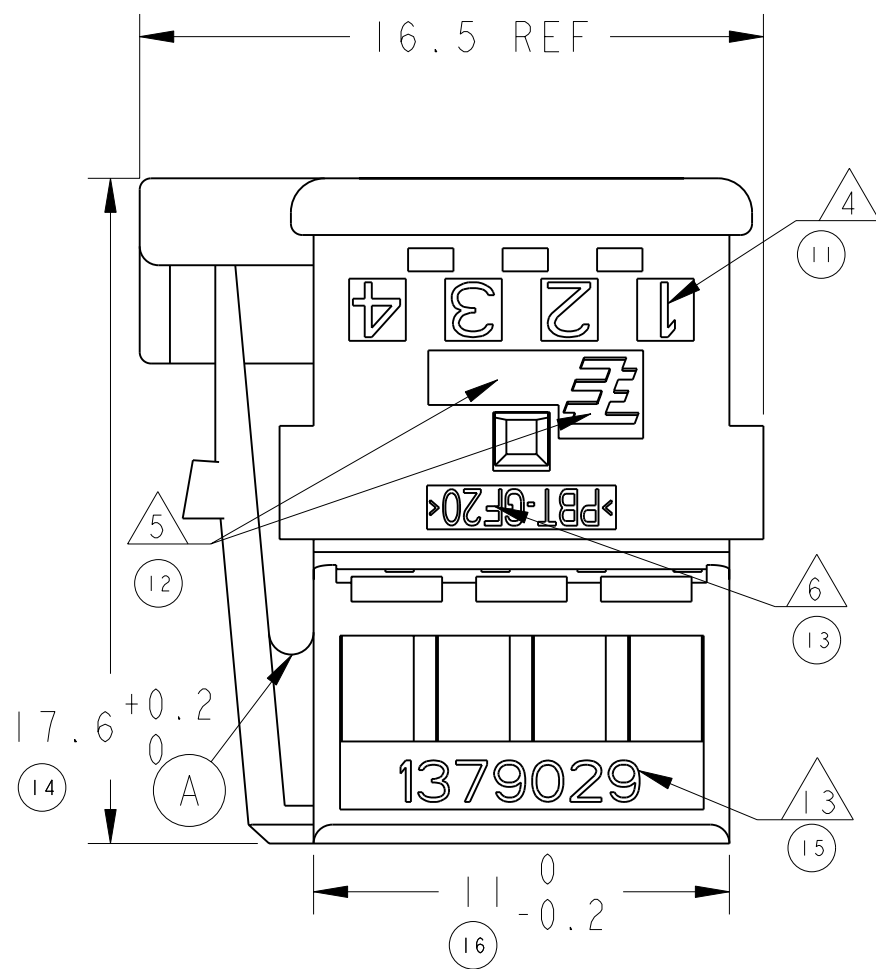
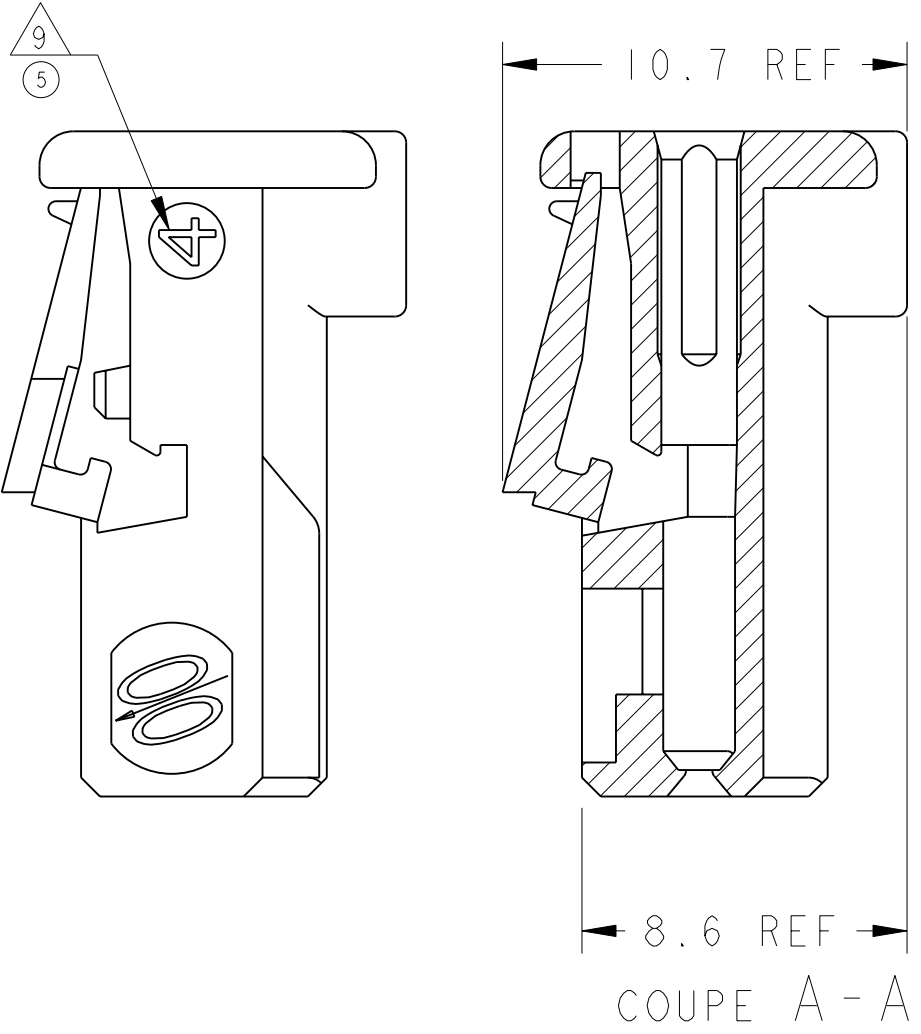
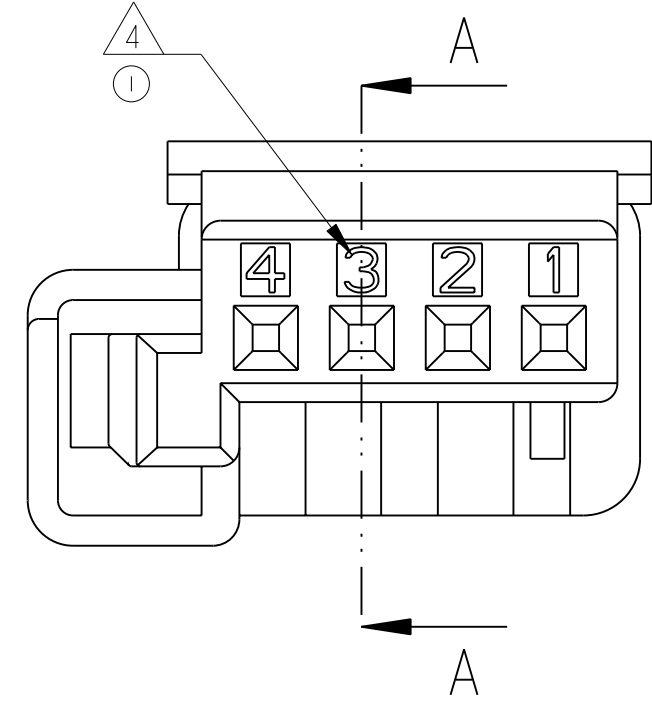
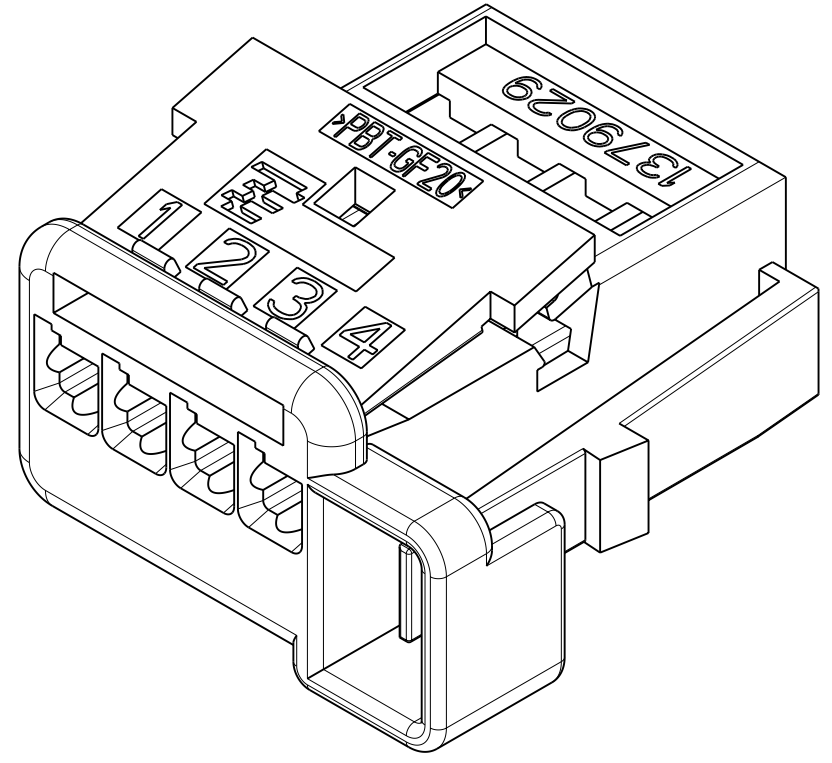
TABLE DE CODAGE - KEYING TABLE

COULEUR / COLOUR	X1	X2	REF. TE / TE PN
NOIR / BLACK	(21) 8.7	(22) 1.4	1379029-1
BLANC / WHITE	(23) 7.4	(24) 2.7	1379029-2
BLEU / BLUE	(25) 6.1	(26) 4	1379029-3
JAUNE / YELLOW	(27) 4.8	(28) 5.3	1379029-4
GRIS / GREY	(29) 3.5	(30) 6.6	1379029-5
MARRON / BROWN	(31) 2.2	(32) 7.9	1379029-6



NOTES :

- POSITION DES ALVEOLES SUIVANT INTERFACE TE 208-15592 / INTERFACE ACCORDING TO TE 208-15592
- PIECE A UTILISER AVEC LE CLIP MQS 144969-x, 928999-x OU 963715-x / TO USE WITH MQS RECEPTACLE 144969-x, 928999-x OR 963715-x
- 1379029-1 REPRESENTE / 1379029-1 AS SHOWN
- REPERE D'ALVEOLE / CAVITY IDENTIFICATION
- LOGO TE OR AMP / TE OR AMP STAMP
- MARQUAGE MATIERE / MATERIAL IDENTIFICATION
- MARQUAGE DU MOULE (OPTION) / MOLD IDENTIFICATION (OPTIONAL)
- INDICE DE REVISION DE MOULE (EMPLACEMENT OPTIONNEL) / MOLD REVISION NUMBER (OPTIONAL LOCATION)
- NUMERO D'EMPREINTE DE MOULE / MOLD CAVITY IDENTIFICATION NUMBER
- DATEUR (EMPLACEMENT OPTIONNEL) / DATE CODE (OPTIONAL LOCATION)
- REFERENCE TE / TE PN



THIS DRAWING IS A CONTROLLED DOCUMENT FOR TYCO ELECTRONICS CORPORATION IT IS SUBJECT TO CHANGE AND THE CONTROLLING ENGINEERING ORGANIZATION SHOULD BE CONTACTED FOR THE LATEST REVISION. CE PLAN EST UN DOCUMENT CONTROLE PAR AMP INCORPORATED. IL EST SUSCEPTIBLE D'UNE REVISION. CONTACTER LE SERVICE TECHNIQUE D'AMP DE FRANCE POUR OBTENIR LA DERNIERE REVISION.		DWN/DESSINE / 13JAN00 O. LEMAIRE CHK/VERIFIE / 14FEB00 J. LALANGE APVD/APROUVE / 14FEB00 JJ. REVIL	TYCO Electronics France 95301 PONTOISE
DIMENSIONS: / mm TOLERANCES UNLESS OTHERWISE SPECIFIED: / (SUIV. NB DE DECIMALES) 0 P.C./DEC. ± 1 P.C./DEC. ± 2 P.C./DEC. ± 0.2 3 P.C./DEC. ± 4 P.C./DEC. ± ANGLES ±5°	PRODUCT SPEC / 108-15236 SPEC. PRODUIT APPLICATION SPEC / 411-15635 SPEC. APPLICATION	NAME / TITRE PORTE-CLIPS 4 VOIES MQS AVALOIR / 4 POS. MQS RECEPTACLE HOUSING POSITIVE MATE	SIZE / FORMAT / A2 CAGE CODE / 00779 DRAWING NO / No PLAN / C-1379029
MATERIAL/MATIERE / PBT GF20 FINISH/FINITION	WEIGHT / MASSE APPROX. / 1.2g CUSTOMER DRAWING / PLAN CLIENT	UNIFORMEMENT / POUR REFERENCE SCALE / ECHELLE 5:1 SHEET / FEUILLE 1 OF / DE 1 REV / B	RESTRICTED TO / RESERVE A / -