



Chipsmall Limited consists of a professional team with an average of over 10 year of expertise in the distribution of electronic components. Based in Hongkong, we have already established firm and mutual-benefit business relationships with customers from,Europe,America and south Asia,supplying obsolete and hard-to-find components to meet their specific needs.

With the principle of "Quality Parts,Customers Priority,Honest Operation,and Considerate Service",our business mainly focus on the distribution of electronic components. Line cards we deal with include Microchip,ALPS,ROHM,Xilinx,Pulse,ON,Everlight and Freescale. Main products comprise IC,Modules,Potentiometer,IC Socket,Relay,Connector.Our parts cover such applications as commercial,industrial, and automotives areas.

We are looking forward to setting up business relationship with you and hope to provide you with the best service and solution. Let us make a better world for our industry!



Contact us

Tel: +86-755-8981 8866 Fax: +86-755-8427 6832

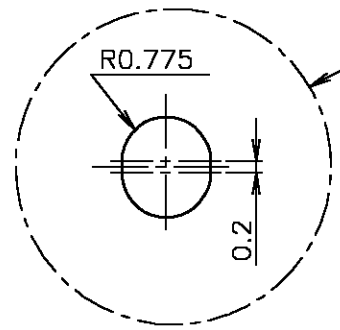
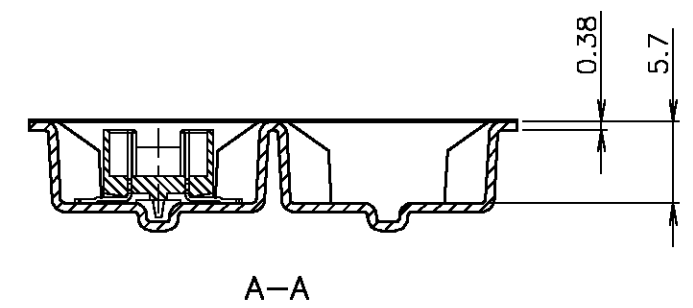
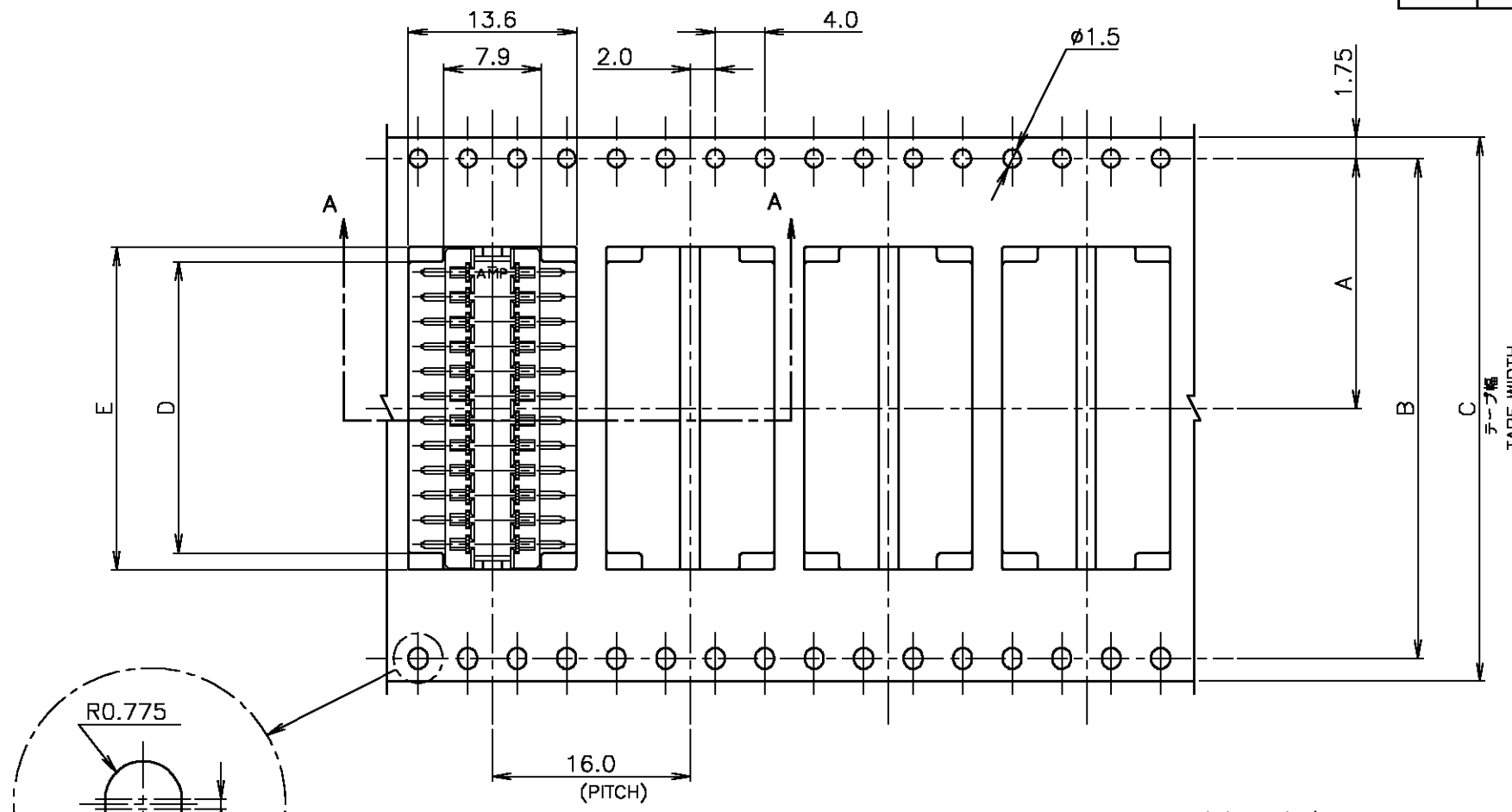
Email & Skype: info@chipsmall.com Web: www.chipsmall.com

Address: A1208, Overseas Decoration Building, #122 Zhenhua RD., Futian, Shenzhen, China



THIS DRAWING IS UNPUBLISHED. RELEASED FOR PUBLICATION
 © COPYRIGHT BY TYCO ELECTRONICS CORPORATION. ALL RIGHTS RESERVED.

LOC	DIST	REVISIONS					
J		P	LTR	DESCRIPTION	DATE	DWN	APVD
		F		REVISED FJBO-0346-03	28APR03	T.K	Y.Y

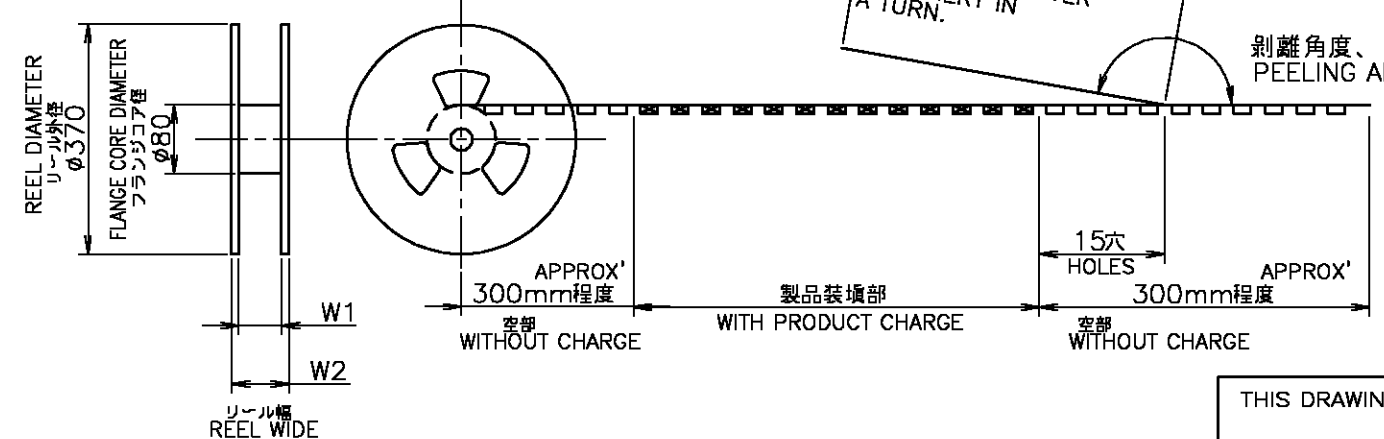


引出し方向
TOP OF REEL →

注記
1.リセコンタクト仕上げ:ニッケル下地 錫めっき

注記
1.REC CONTACT FINISH :
TIN PLATING, Ni UNDER PL. ALL OVER

カバーテープ
リーダー部
外周一巻
WEEDING THE COVER TAPE
AROUND THE OUTER
PERIPHERY IN
A TURN.
剥離角度、165° ~ 180°
PEELING ANGLE.



49.5	45.5	32.1	29.6	44	40.4	20.2	800	30	3-179395-0	3-179437-0
49.5	45.5	32.1	29.6	44	40.4	20.2	800	22	2-179395-2	2-179437-2
29.5	25.5	8.1	5.6	24	---	11.5	800	6	179395-6	179437-6
W2	W1	E	D	C	B	A	数量 (ヶ) QTY/REEL	極数 Pos.	コネクタ型番 (バラ状) CONNECTOR P/N (L/P)	リール巻 コネクタ型番 TAPING P/N

THIS DRAWING IS A CONTROLLED DOCUMENT.

DWN	K.SAKAWA	24JAN94		Tyco Electronics AMP K.K. Kawasaki, Japan
CHK	S.KUBOUCHI	24JAN94		
APVD	S.KUBOUCHI	16JUN95		
PRODUCT SPEC			NAME	
APPLICATION SPEC			2.0 A-F CONN. REC ASSEMBLY (V-TYPE) ON TAPING	
WEIGHT			SIZE	CAGE CODE
CUSTOMER DRAWING			DRAWING NO	
			RESTRICTED TO	
			SCALE NTS SHEET 1 OF 1 REV F	

DIMENSIONS:	TOLERANCES UNLESS OTHERWISE SPECIFIED:
MM	
	0-PLC ± 1-PLC ± 2-PLC ± 3-PLC ± 4-PLC ± ANGLES ±
MATERIAL	FINISH