



Chipsmall Limited consists of a professional team with an average of over 10 year of expertise in the distribution of electronic components. Based in Hongkong, we have already established firm and mutual-benefit business relationships with customers from,Europe,America and south Asia,supplying obsolete and hard-to-find components to meet their specific needs.

With the principle of “Quality Parts,Customers Priority,Honest Operation,and Considerate Service”,our business mainly focus on the distribution of electronic components. Line cards we deal with include Microchip,ALPS,ROHM,Xilinx,Pulse,ON,Everlight and Freescale. Main products comprise IC,Modules,Potentiometer,IC Socket,Relay,Connector.Our parts cover such applications as commercial,industrial, and automotives areas.

We are looking forward to setting up business relationship with you and hope to provide you with the best service and solution. Let us make a better world for our industry!



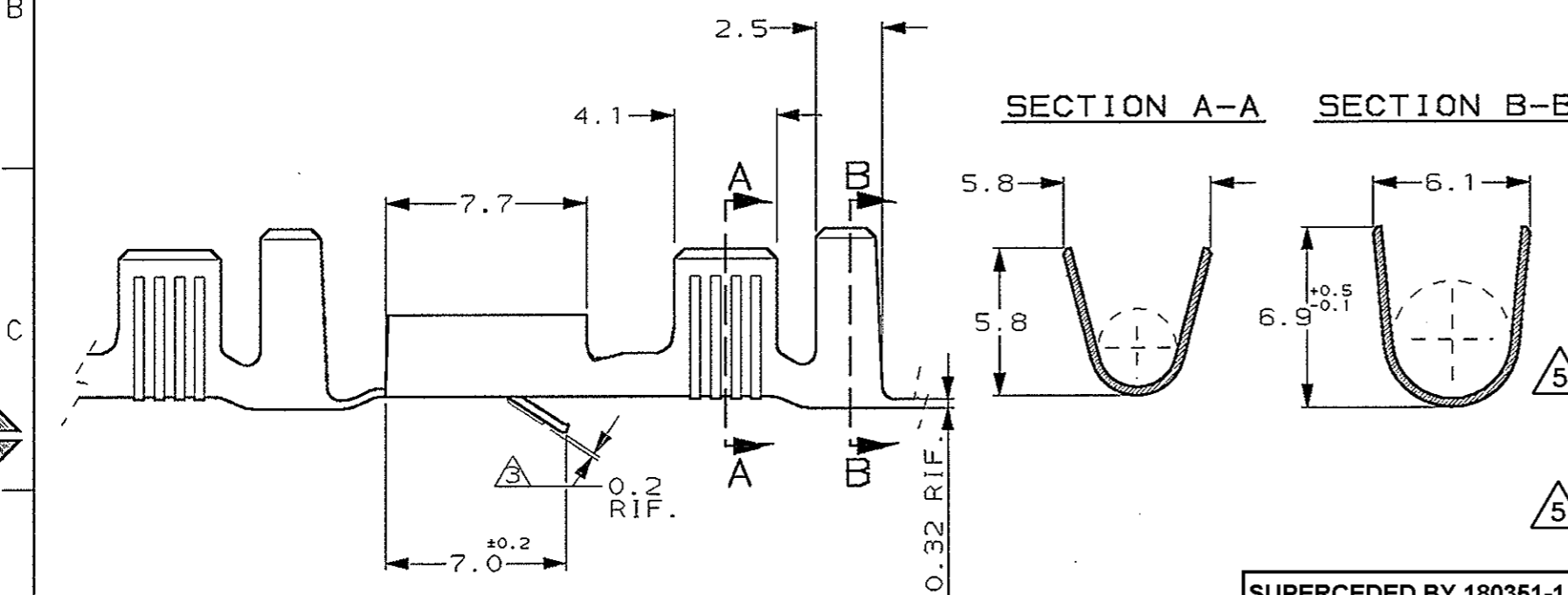
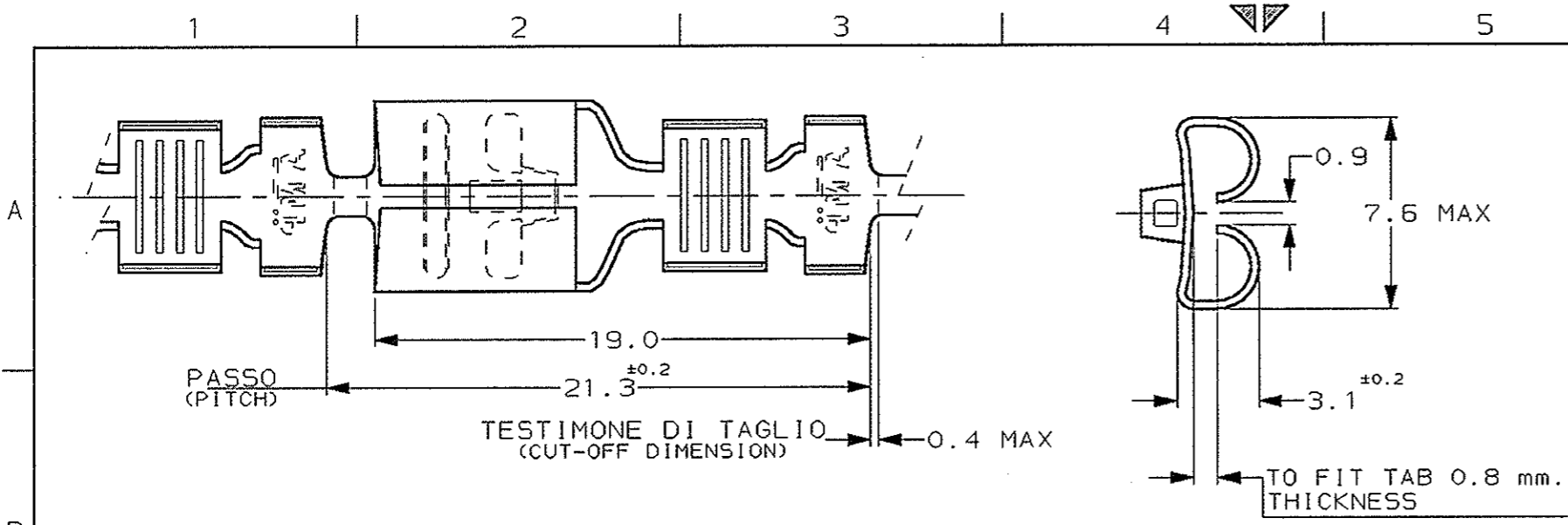
Contact us

Tel: +86-755-8981 8866 Fax: +86-755-8427 6832

Email & Skype: info@chipsmall.com Web: www.chipsmall.com

Address: A1208, Overseas Decoration Building, #122 Zhenhua RD., Futian, Shenzhen, China





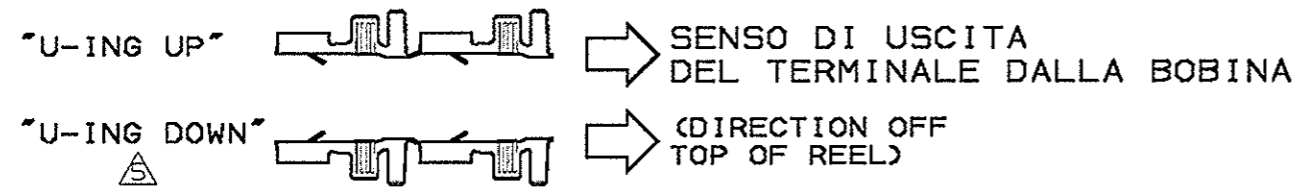
SUPERCEDED BY 180351-1

0-180384-6	△△△	ARGENTATO (SILVER PLATED)	OTTONE (BRASS)	2-180351-2	AE
2-180384-1	△△△	ARGENTATO (SILVER PLATED)	BRONZO FOSF. (PHOS. BRONZE)	2-180351-1	AE
0-180384-5	△△△	STAGNATO (TIN PLATED)	BRONZO FOSF. (PHOS. BRONZE)	2-180351-0	AC
0-180384-3	△△	NUDO (UNPLATED)	BRONZO FOSF. (PHOS. BRONZE)	0-180351-9	AC
0-180384-2	△△△	PRE-STAGNATO (PRE-TIN PLATED)	OTTONE (BRASS)	0-180351-8	AE
0-180384-1	△△	NUDO (UNPLATED)	OTTONE (BRASS)	0-180351-7	AC
0-180384-6	△△△	ARGENTATO (SILVER PLATED)	OTTONE (BRASS)	0-180351-6	AE
0-180384-5	△	STAGNATO (TIN PLATED)	BRONZO FOSF. (PHOS. BRONZE)	0-180351-5	AC
0-180384-3	△△	NUDO (UNPLATED)	BRONZO FOSF. (PHOS. BRONZE)	0-180351-3	AE
0-180384-2	△△	PRE-STAGNATO (PRE-TIN PLATED)	OTTONE (BRASS)	0-180351-2	AC
0-180384-1	△△	NUDO (UNPLATED)	OTTONE (BRASS)	0-180351-1	AE
LOOSE PIECE P/N	NOTE	FINITURA/COLORE (FINISH/COLOUR)	MATERIALE (MATERIAL)	NUMERO	REV.

NOTES:

- △ VERSIONI NON GIUNTATE (SPLICE FREE VERSION).
- △ SPEC. DI PRODOTTO 108-20020, SPEC. DI AGGRAFFATURA 114-20021 (PRODUCT SPEC. 108-20020; APPLICATION SPEC. 114-20021).
- △ NERVATURA DI RINFORZO (BEAT IN LOCKING LANCE).
- △ AVVOLTO SU BOBINA DI CARTONE P/N 298011-1 CON CARTA INTERPOSTA (REELED ON 12" O.D. CARTON TYPE REEL P/N 298011-1 WITH INTERLAYER PAPER STRIP)
- △ OBSOLETE PARTS: OBSOLETE CIS STREAMLINING PER D.RENAUD/D.SINISI

STATO DI FORNITURA - SCALA 1:1 (SUPPLY CONDITION - SCALE 1:1)



CUSTOMER DWG. FOR REFERENCE ONLY **DISEGNO PER CLIENTE SOLO PER RIFERIMENTO**

THIS DRAWING IS UNPUBLISHED RELEASE FOR PUBLICATION

TOLLERANZE: SE NON DIVERSAMENTE SPECIFICATO (TOLERANCES, UNLESS OTHERWISE SPECIFIED)	DIAM. ISOLANTE (INS. DIA. RANGE)	RANGO FILO (WIRE RANGE) mm ²	SCALA (SCALE)
± 0.3	3.4-5.1	4.0-6.0	4:1
ANGOLI (ANGLES)	TE Connectivity		
DIS. H. YAALI (DR.) 12 JUL 99	DESCRIZIONE (DESCRIPTION) FASTIN-FASTON Connector		
CONT. C. TARTARI (CHK) 12 JUL 99	.250 sr. REC. CONTACT		
APP. (APP.)	LOC. (LOC.)	SIZE (SIZE)	NUMERO (DWG NO)
			I A3 C-180351
REV. (REV.)	REVISIONI (REVISION RECORD)	DIS. DATA (DR) (DATE)	REV. (REV.)
			AD7
			FOGLIO (SHEET) 1 DI (OF) 1