



Chipsmall Limited consists of a professional team with an average of over 10 year of expertise in the distribution of electronic components. Based in Hongkong, we have already established firm and mutual-benefit business relationships with customers from,Europe,America and south Asia,supplying obsolete and hard-to-find components to meet their specific needs.

With the principle of “Quality Parts,Customers Priority,Honest Operation,and Considerate Service”,our business mainly focus on the distribution of electronic components. Line cards we deal with include Microchip,ALPS,ROHM,Xilinx,Pulse,ON,Everlight and Freescale. Main products comprise IC,Modules,Potentiometer,IC Socket,Relay,Connector.Our parts cover such applications as commercial,industrial, and automotives areas.

We are looking forward to setting up business relationship with you and hope to provide you with the best service and solution. Let us make a better world for our industry!



## Contact us

Tel: +86-755-8981 8866 Fax: +86-755-8427 6832

Email & Skype: info@chipsmall.com Web: www.chipsmall.com

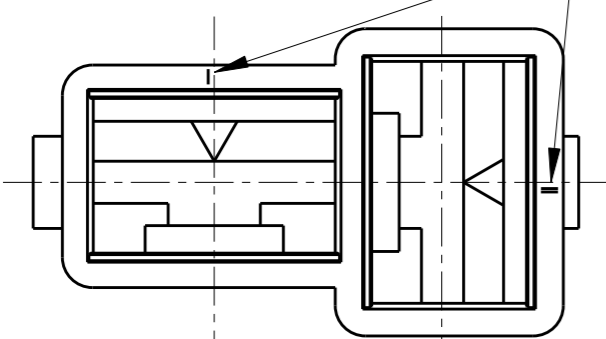
Address: A1208, Overseas Decoration Building, #122 Zhenhua RD., Futian, Shenzhen, China



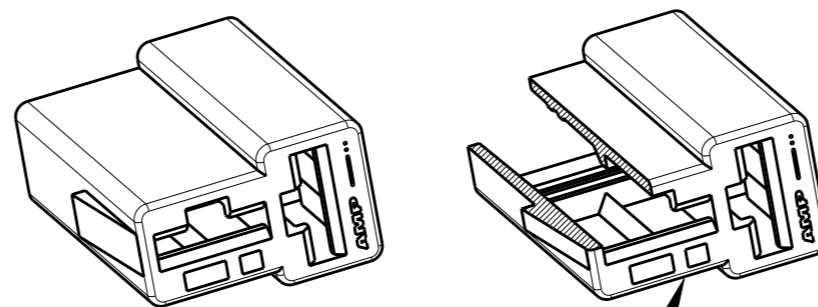
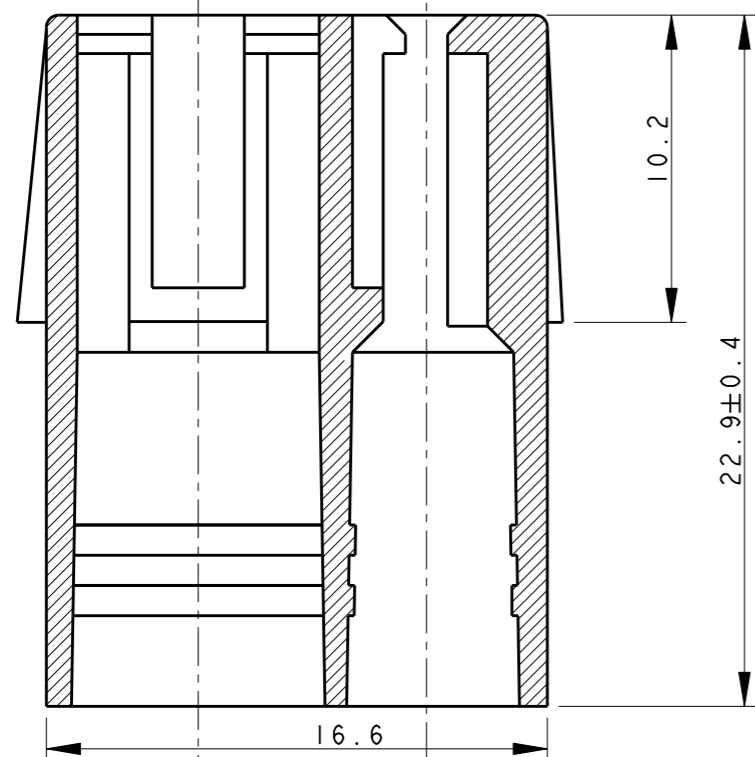
LOC	DIST	REVISIONS			
P	LTR	DESCRIPTION	DATE	DWN	APVD
1	-	AA8	REVISED PER ECO-11-005301	28MAR2011	RK HMR

SCALE 4:1

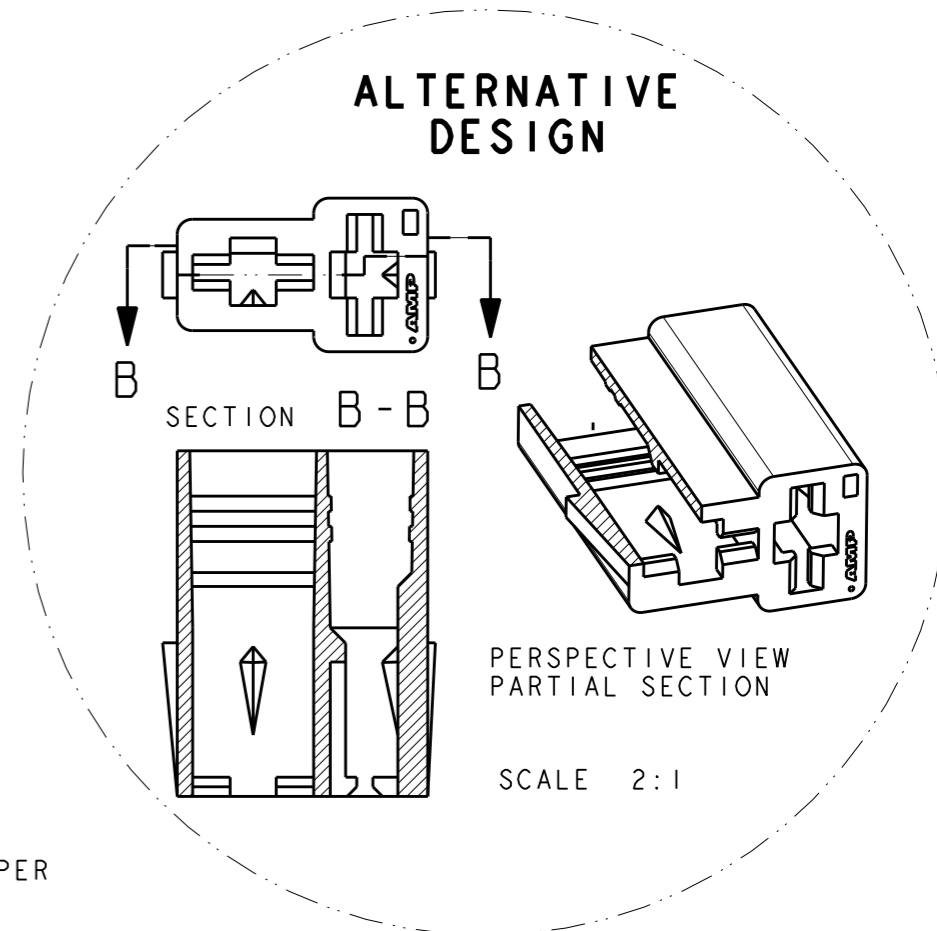
CIRCUIT IDENTIFICATION



SECTION A-A



PERSPECTIVE VIEW PARTIAL SECTION



ALTERNATIVE DESIGN

SECTION B-B

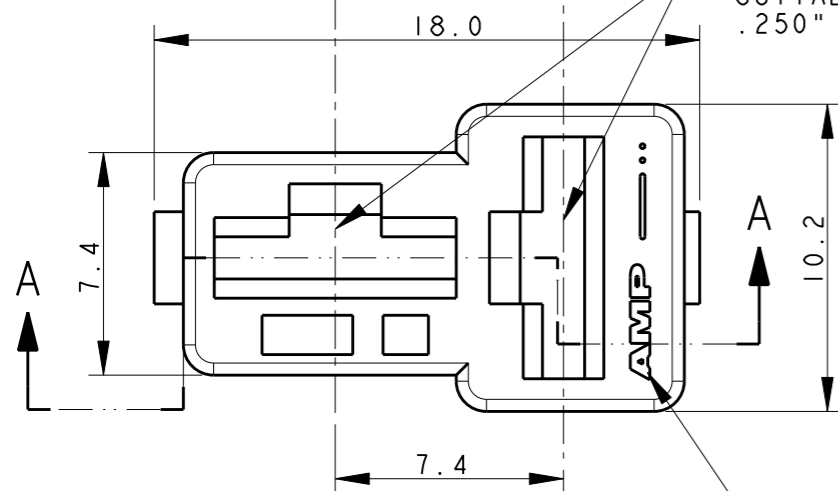
PERSPECTIVE VIEW PARTIAL SECTION

SCALE 2:1

- 1 SAME AS 0-180907-0 BUT SPECIAL PACKAGING, ON CARTON BOX, TWO PLASTIC BAG WITH 3000 PIECES ON EACH.
- 2 NOT YET RELEASED FOR PRODUCTION
- 3 OBSOLETE PARTS: OBSOLETE CIS STREAMLINING PER D.REANUD/D.SINISI

NOTES	COLOUR	MATERIAL	P/N	REV
3 OBSOLETE	HEAT STABILIZED MATERIAL	BLACK	POLYAMIDE 6.6, UL 94 V2	4-180907-0 AA
		NATURAL	POLYAMIDE 6.6	<del>3-180907-0</del> AA
		NATURAL	POLYAMIDE 6.6	2-180907-0 AA
	ACC. TO IEC 60335-1	NATURAL	POLYAMIDE 6.6, UL 94 V0	1-180907-6 AA
	UL APPROVED	NATURAL	NYLON 6.6; ZYTEL 101L	1-180907-0 AA
		BLACK	POLYAMIDE 6.6	0-180907-5 AA
		YELLOW		0-180907-4 O
		BLUE		0-180907-3 AA
		RED		0-180907-1 AA
		NATURAL		0-180907-0 AA

TYPICAL CAVITY SUITABLE FOR .250" SRS FASTIN-FASTON\* REC. CONTACT



TE AMP TRADEMARK (OPTIONAL)

THIS DRAWING IS A CONTROLLED DOCUMENT.

DWN H. YAALI 14JUN2002  
CHK C. TARTARI  
APVD

PRODUCT SPEC 108-20020  
APPLICATION SPEC 114-2025  
WEIGHT

**STE** TE Connectivity

NAME 2 WAY FASTIN-FASTON RECEPTACLE HOUSING .250 SERIES

SIZE A3	CAGE CODE 00779	DRAWING NO C-180907	RESTRICTED TO
---------	-----------------	---------------------	---------------

CUSTOMER DRAWING SCALE 4:1 SHEET 1 OF 1 REV AA8