



Chipsmall Limited consists of a professional team with an average of over 10 year of expertise in the distribution of electronic components. Based in Hongkong, we have already established firm and mutual-benefit business relationships with customers from,Europe,America and south Asia,supplying obsolete and hard-to-find components to meet their specific needs.

With the principle of "Quality Parts,Customers Priority,Honest Operation,and Considerate Service",our business mainly focus on the distribution of electronic components. Line cards we deal with include Microchip,ALPS,ROHM,Xilinx,Pulse,ON,Everlight and Freescale. Main products comprise IC,Modules,Potentiometer,IC Socket,Relay,Connector.Our parts cover such applications as commercial,industrial, and automotives areas.

We are looking forward to setting up business relationship with you and hope to provide you with the best service and solution. Let us make a better world for our industry!



## Contact us

Tel: +86-755-8981 8866 Fax: +86-755-8427 6832

Email & Skype: info@chipsmall.com Web: www.chipsmall.com

Address: A1208, Overseas Decoration Building, #122 Zhenhua RD., Futian, Shenzhen, China



4

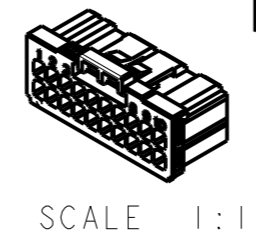
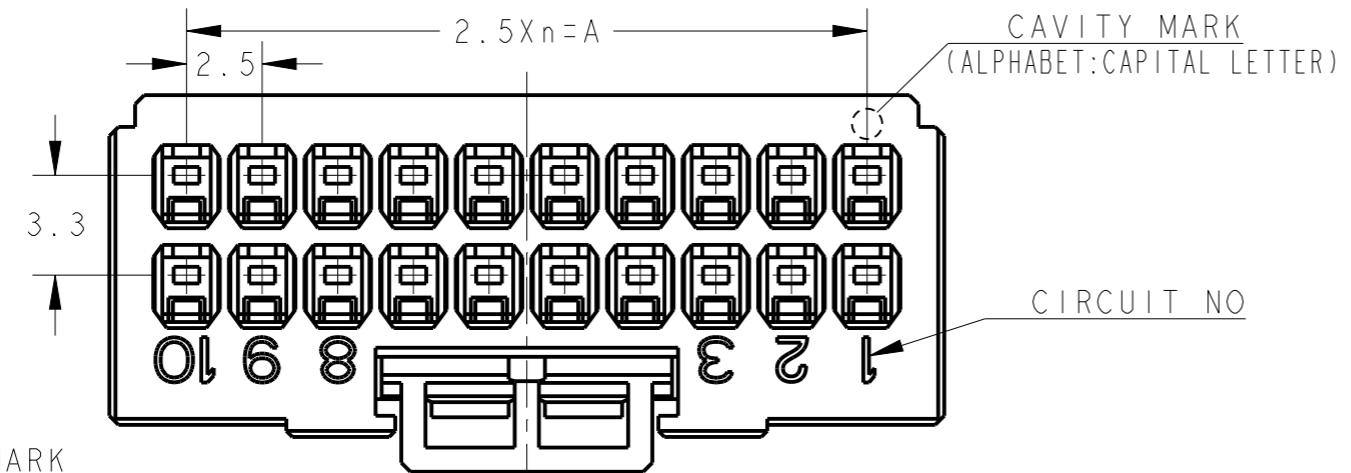
3

2

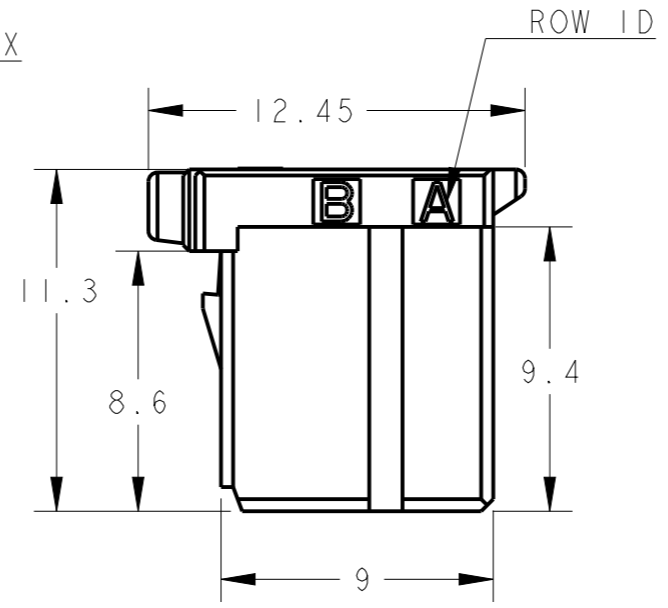
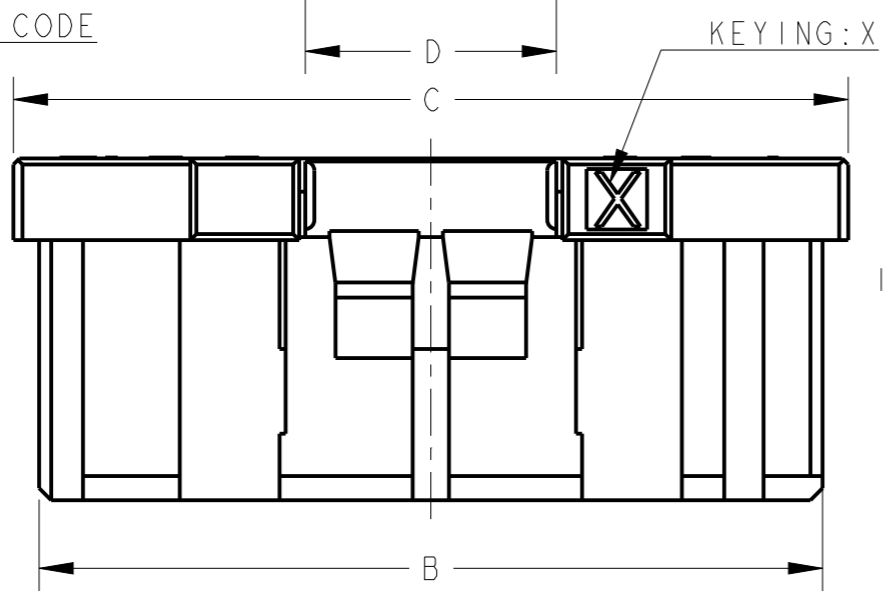
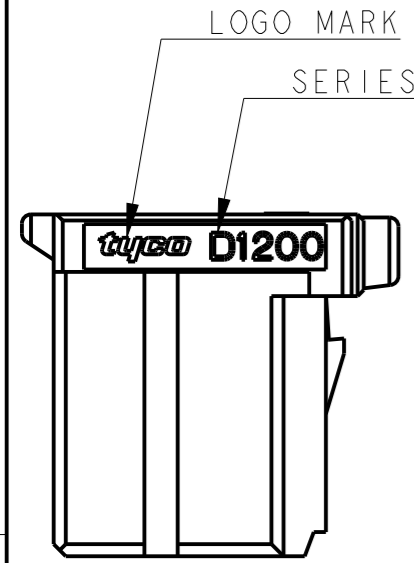
1

THIS DRAWING IS UNPUBLISHED. RELEASED FOR PUBLICATION  
 © COPYRIGHT - ALL RIGHTS RESERVED.

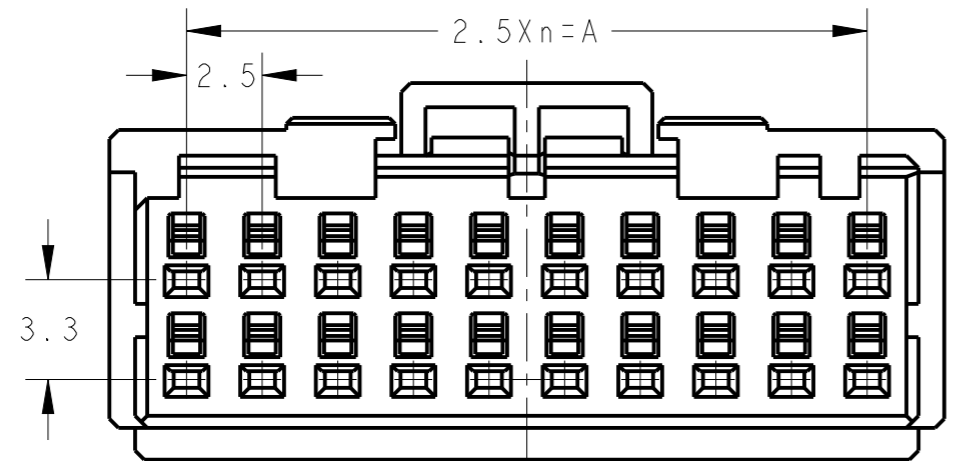
| LOC | DIST | REVISIONS |     |             |           |     |      |
|-----|------|-----------|-----|-------------|-----------|-----|------|
| J   |      | P         | LTR | DESCRIPTION | DATE      | DWN | APVD |
|     |      | D         |     | REVISED     | 06JUN2014 | H.O | N.Y  |



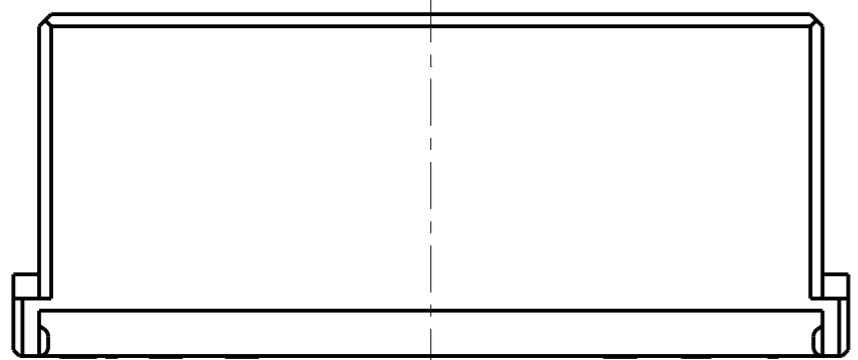
- ① MATERIAL: GLASS FILED THERMO PLASTIC POLYESTER(94V-0), COLOR: BLACK
- 2. THE SHAPE, SIZE AND POSITION OF THE CHARACTER SHOW THE OUTLINE. THEY DON'T SHOW DETAILS.
- 3. THE KEYING ARRANGEMENT OF "Y" IS SYMMETRIC WITH "X".
- ④ DIFFERENT HEIGHT OF ROCK PROTECTOR. A FINGERTIP IS STOOD AND PUSHED WHEN OPERATING A LOCK LEVER.



- ① 材料: ガラス入り熱可塑性ポリエステル樹脂(94V-0), 色: 黒
- 2. 文字の形状、大きさ、および位置については、大略を示すものであり、詳細を示すものではありません。
- 3. Y KEY形状は、X KEY形状と左右対称
- ④ ROCK PROTECTORの高さ違いです。ロックレバー操作の際には、指先を立てて押してください。



|      |     |   |      |      |      |     |             |
|------|-----|---|------|------|------|-----|-------------|
| 20   | Y   | 9 | 22.5 | 25.9 | 27.6 | 8.3 | 2-1827864-0 |
| 20   | X   | 9 | 22.5 | 25.9 | 27.6 | 8.3 | 1-1827864-0 |
| 16   | Y   | 7 | 17.5 | 20.9 | 22.6 | 8.3 | 2-1827864-8 |
| 16   | X   | 7 | 17.5 | 20.9 | 22.6 | 8.3 | 1-1827864-8 |
| 12   | Y   | 5 | 12.5 | 15.9 | 17.6 | 8.3 | 2-1827864-6 |
| 12   | X   | 5 | 12.5 | 15.9 | 17.6 | 8.3 | 1-1827864-6 |
| ④ 12 | X   | 5 | 12.5 | 15.9 | 17.6 | 8.3 | 9-1827864-6 |
| 10   | Y   | 4 | 10.0 | 13.4 | 15.1 | 3.3 | 2-1827864-5 |
| 10   | X   | 4 | 10.0 | 13.4 | 15.1 | 3.3 | 1-1827864-5 |
| 8    | Y   | 3 | 7.5  | 10.9 | 12.6 | 3.3 | 2-1827864-4 |
| 8    | X   | 3 | 7.5  | 10.9 | 12.6 | 3.3 | 1-1827864-4 |
| 6    | Y   | 2 | 5.0  | 8.4  | 10.1 | 3.3 | 2-1827864-3 |
| 6    | X   | 2 | 5.0  | 8.4  | 10.1 | 3.3 | 1-1827864-3 |
| ④ 6  | X   | 2 | 5.0  | 8.4  | 10.1 | 3.3 | 9-1827864-3 |
| 4    | Y   | 1 | 2.5  | 5.9  | 7.6  | 3.1 | 2-1827864-2 |
| 4    | X   | 1 | 2.5  | 5.9  | 7.6  | 3.1 | 1-1827864-2 |
| POS  | KEY | n | A    | B    | C    | D   | PART NO     |



20POS(X-KEY): 1-1827864-0

THIS DRAWING IS A CONTROLLED DOCUMENT.

DWN T. KUDO 23AUG2005  
 CHK D. MITSUGI 23AUG2005  
 APVD D. MITSUGI 23AUG2005

PRODUCT SPEC 108-78268, 78298  
 APPLICATION SPEC 114-5377

WEIGHT

CUSTOMER DRAWING

**STE** TE Connectivity

NAME 名称 DYNAMIC D1200D 2.5mm PITCH  
 REC HSG  
 4-20 POS

SIZE A3 CAGE CODE 00779 DRAWING NO 1827864 RESTRICTED TO

SCALE 4:1 SHEET 1 OF 3 REV D

THIS DRAWING IS UNPUBLISHED.

RELEASED FOR PUBLICATION

© COPYRIGHT -

ALL RIGHTS RESERVED.

LOC J DIST

P LTR

REVISIONS

変更

DESCRIPTION

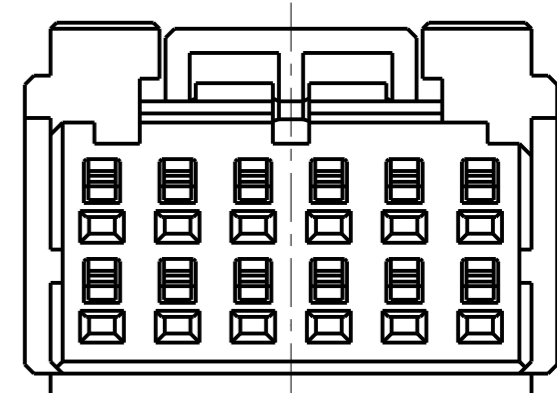
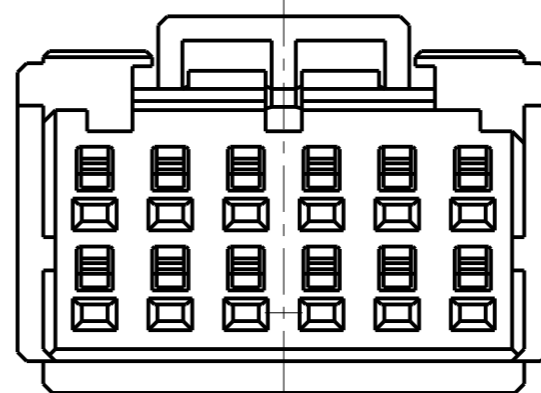
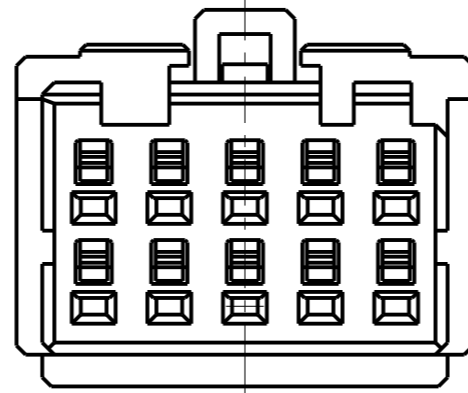
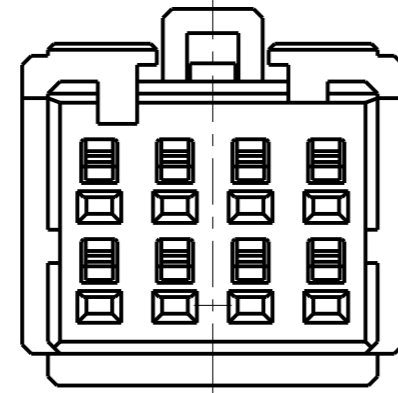
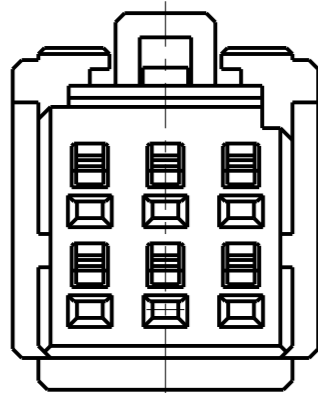
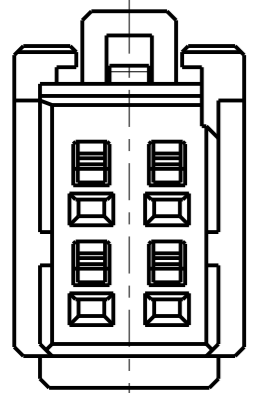
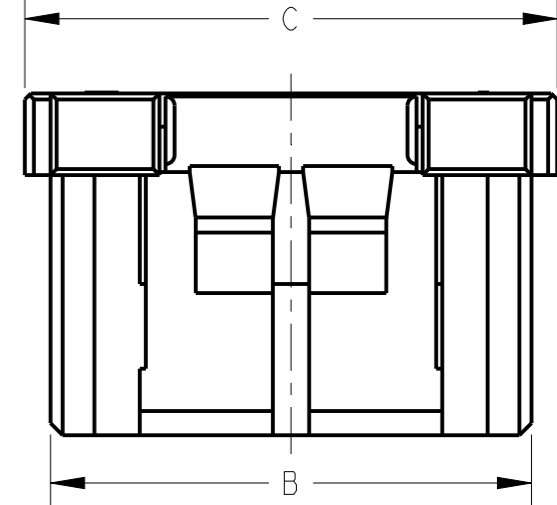
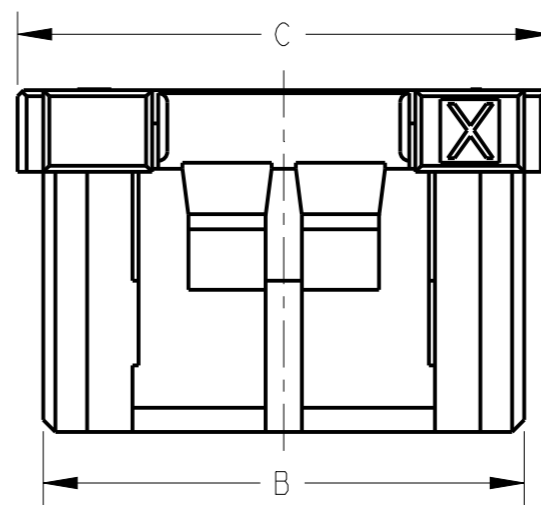
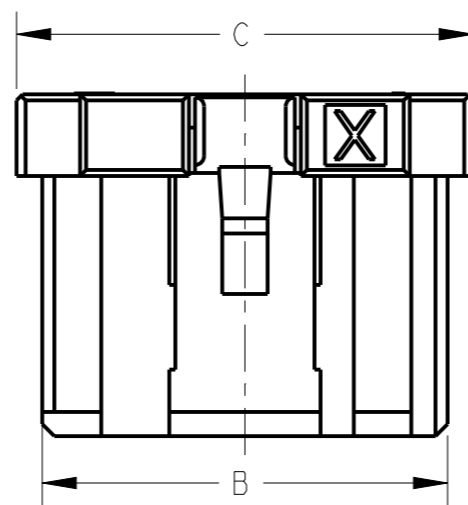
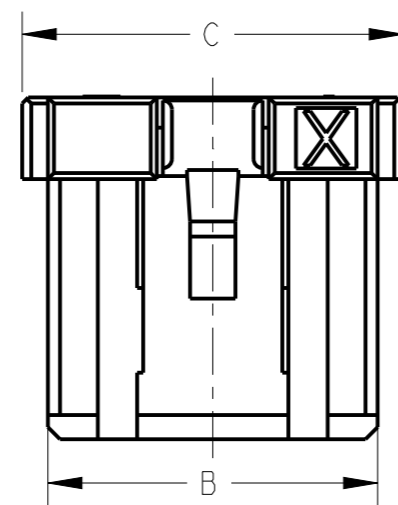
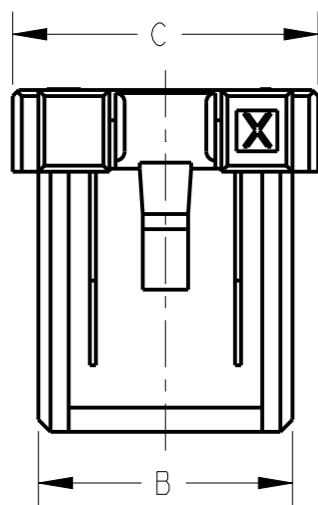
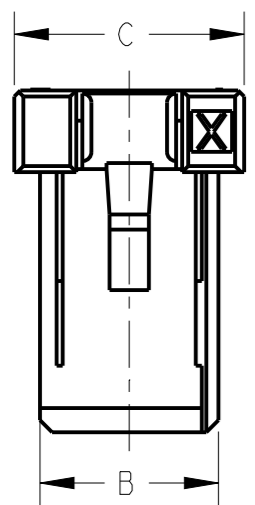
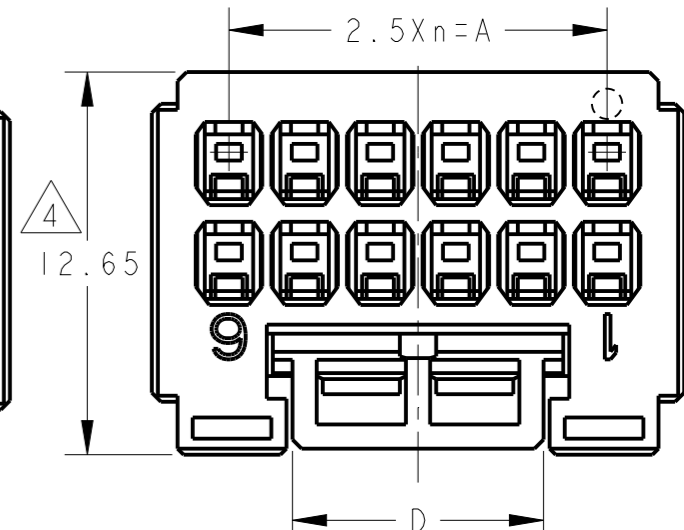
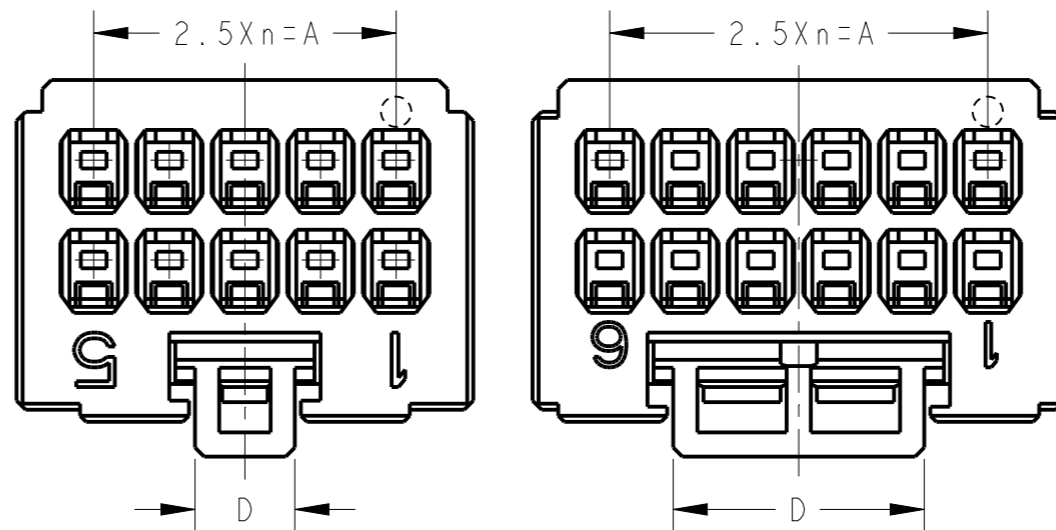
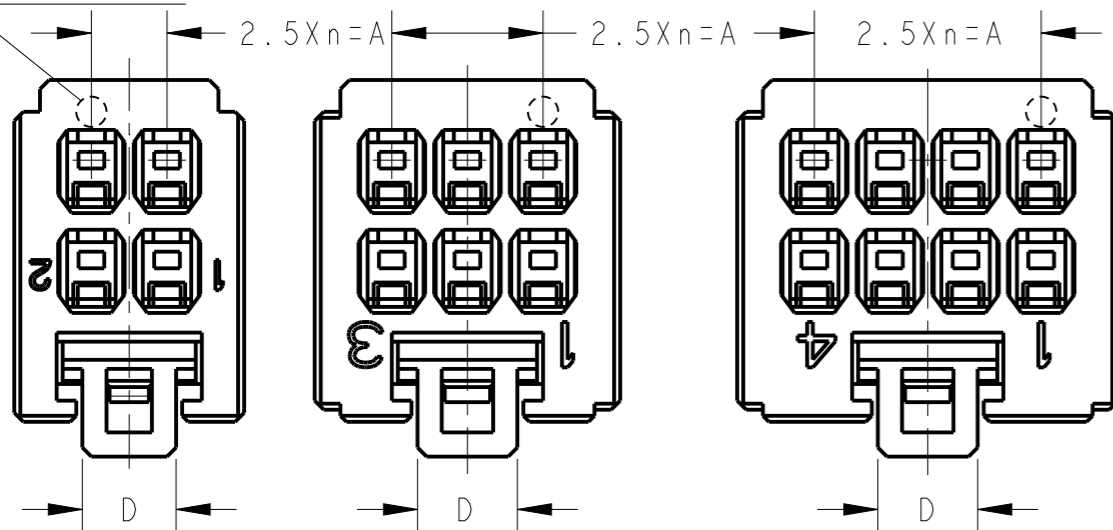
DATE

DWN

APVD

SEE SHEET 1 OF 3

CAVITY MARK ONLY 4POS



4POS(X-KEY)  
1-1827864-2

6POS(X-KEY)  
1-1827864-3

8POS(X-KEY)  
1-1827864-4

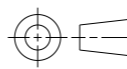
10POS(X-KEY): 1-1827864-5

12POS(X-KEY): 1-1827864-6

4 12POS(X-KEY): 9-1827864-6

THIS DRAWING IS A CONTROLLED DOCUMENT.

DIMENSIONS:  
単位: 概  
mm



TOLERANCES UNLESS OTHERWISE SPECIFIED:

- 一般公差
- 0 PLC ±
- 1 PLC ±
- 2 PLC ±
- 3 PLC ±
- 4 PLC ±
- ANGLES ±

MATERIAL  
材料

FINISH  
仕上

DWN T. KUDO 23AUG2005

CHK D. MITSUGI 23AUG2005

APVD D. MITSUGI 23AUG2005

PRODUCT SPEC

製品規格

108-78268, 78298

APPLICATION SPEC

取付適用規格

114-5377

WEIGHT

CUSTOMER DRAWING

NAME  
名称

DYNAMIC DI200D 2.5mm PITCH  
REC HSG  
4-20 POS

SIZE

CAGE CODE

DRAWING NO  
番号

A300779 C-1827864

RESTRICTED TO

SCALE  
尺度 4:1

SHEET 2 OF 3

REV D



THIS DRAWING IS UNPUBLISHED.

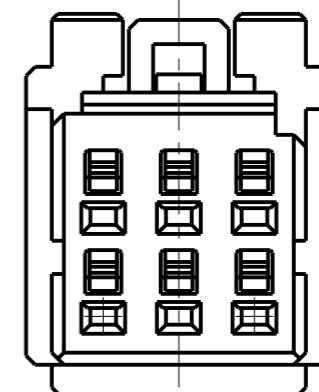
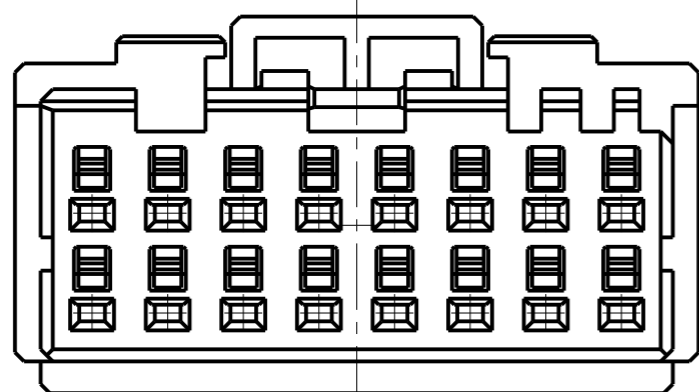
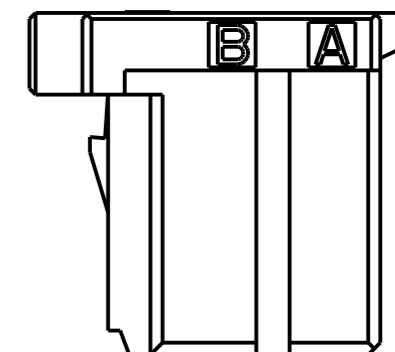
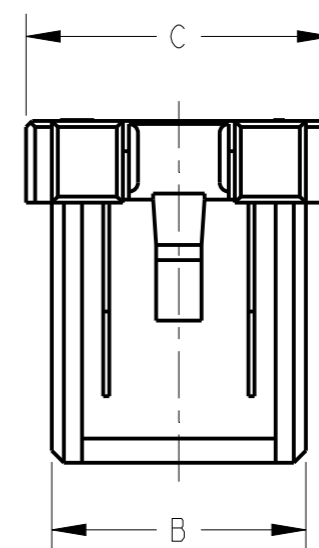
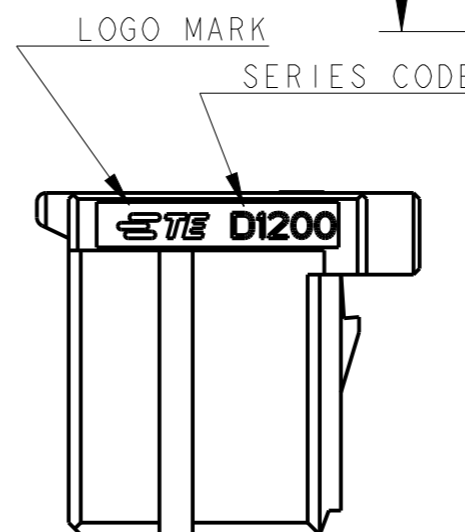
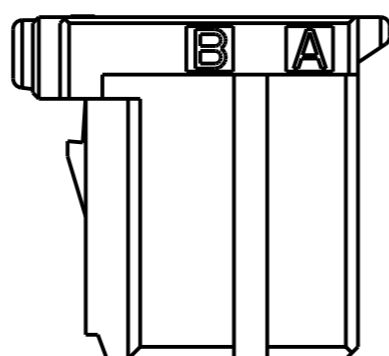
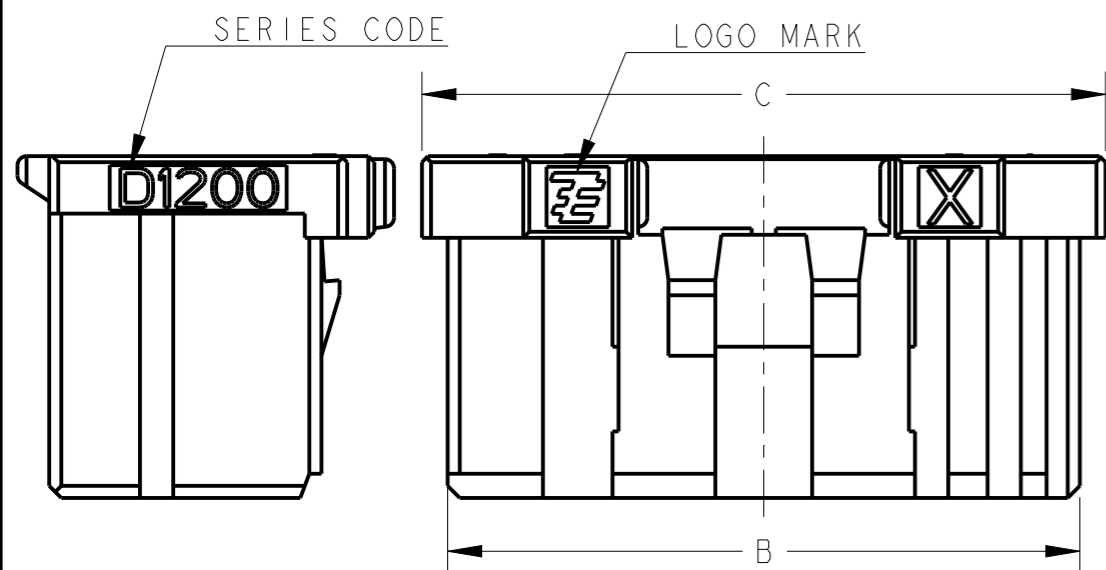
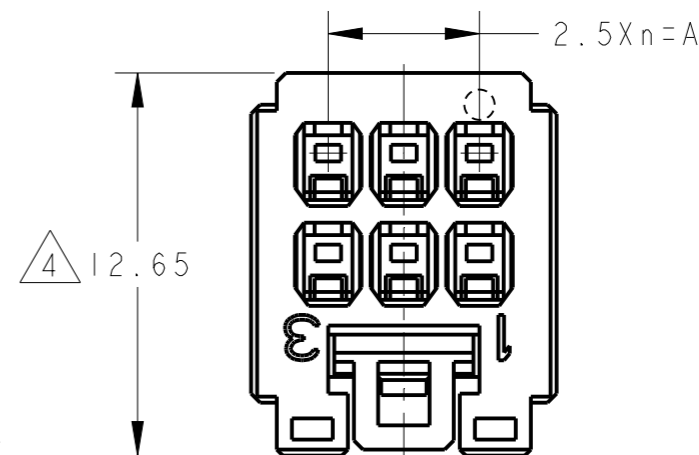
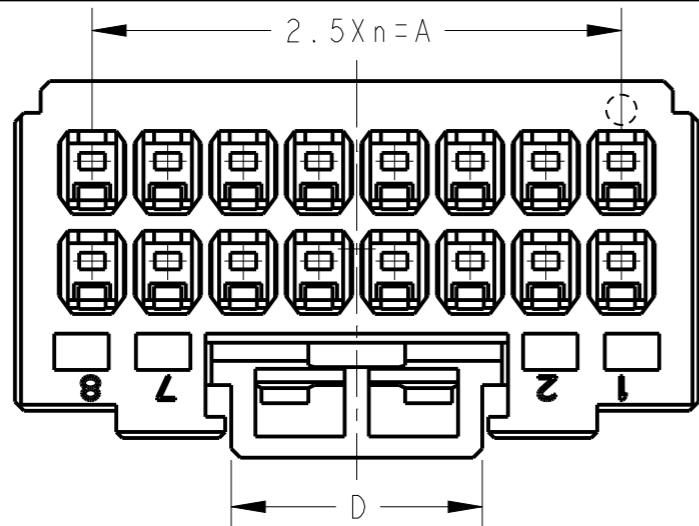
RELEASED FOR PUBLICATION

© COPYRIGHT -

ALL RIGHTS RESERVED.

|     |      |
|-----|------|
| LOC | DIST |
| J   |      |

| REVISIONS |     |             | DATE | DWN | APVD |
|-----------|-----|-------------|------|-----|------|
| P         | LTR | DESCRIPTION |      |     |      |
| -         | -   | SEE SHEET 1 | -    | -   | -    |

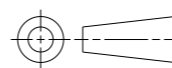


16POS(X-KEY):1-1827864-8

4 6POS(X-KEY):9-1827864-3

THIS DRAWING IS A CONTROLLED DOCUMENT.

DIMENSIONS: 単位: 概 mm



TOLERANCES UNLESS OTHERWISE SPECIFIED:

|        |   |
|--------|---|
| 一般公差   |   |
| 0 PLC  | ± |
| 1 PLC  | ± |
| 2 PLC  | ± |
| 3 PLC  | ± |
| 4 PLC  | ± |
| ANGLES | ± |

MATERIAL 材料

FINISH 仕上

|                  |                  |           |
|------------------|------------------|-----------|
| DWN              | T. KUDO          | 23AUG2005 |
| CHK              | D. MITSUGI       | 23AUG2005 |
| APVD             | D. MITSUGI       | 23AUG2005 |
| PRODUCT SPEC     | 108-78268, 78298 |           |
| APPLICATION SPEC | 114-5377         |           |
| WEIGHT           |                  |           |

|      |           |   |               |
|------|-----------|---|---------------|
|      |           | TE Connectivity                                   |               |
|      |           | DYNAMIC D1200D 2.5mm PITCH<br>REC HSG<br>4-20 POS |               |
| SIZE | CAGE CODE | DRAWING NO  | RESTRICTED TO |
| A3   | 00779     | C-1827864   |               |

CUSTOMER DRAWING SCALE 4:1 SHEET 3 OF 3 REV D