



Chipsmall Limited consists of a professional team with an average of over 10 year of expertise in the distribution of electronic components. Based in Hongkong, we have already established firm and mutual-benefit business relationships with customers from,Europe,America and south Asia,supplying obsolete and hard-to-find components to meet their specific needs.

With the principle of “Quality Parts,Customers Priority,Honest Operation,and Considerate Service”,our business mainly focus on the distribution of electronic components. Line cards we deal with include Microchip,ALPS,ROHM,Xilinx,Pulse,ON,Everlight and Freescale. Main products comprise IC,Modules,Potentiometer,IC Socket,Relay,Connector.Our parts cover such applications as commercial,industrial, and automotives areas.

We are looking forward to setting up business relationship with you and hope to provide you with the best service and solution. Let us make a better world for our industry!



## Contact us

Tel: +86-755-8981 8866 Fax: +86-755-8427 6832

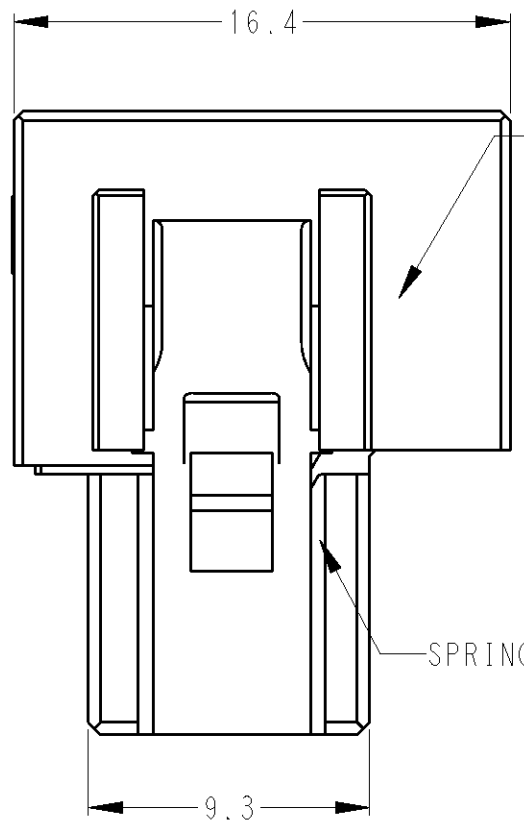
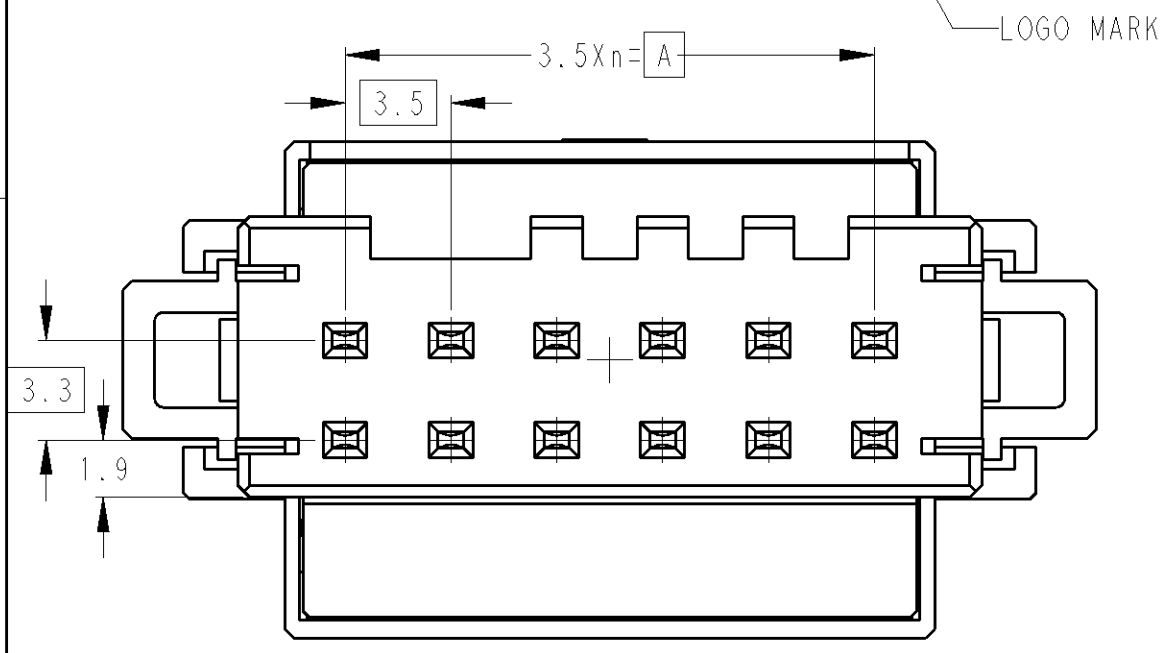
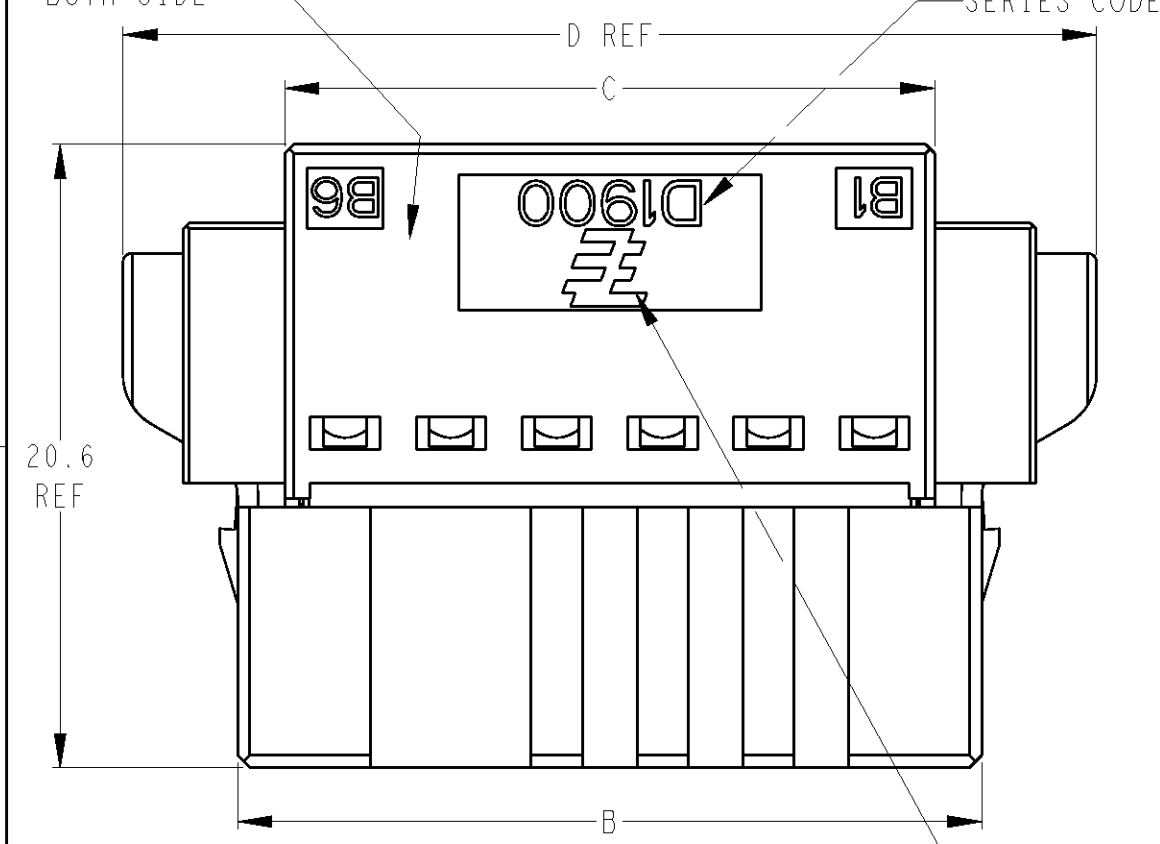
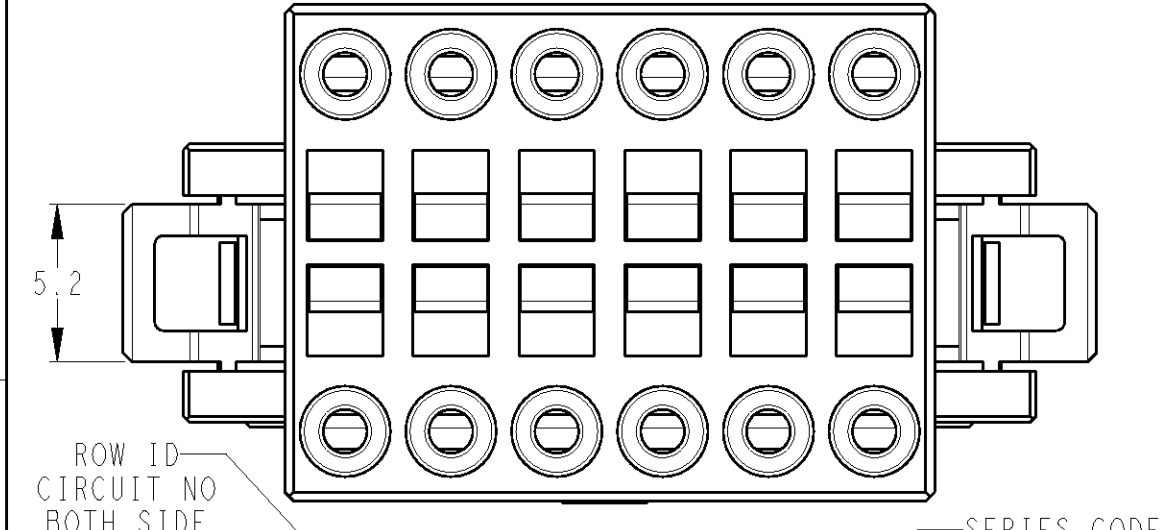
Email & Skype: info@chipsmall.com Web: www.chipsmall.com

Address: A1208, Overseas Decoration Building, #122 Zhenhua RD., Futian, Shenzhen, China

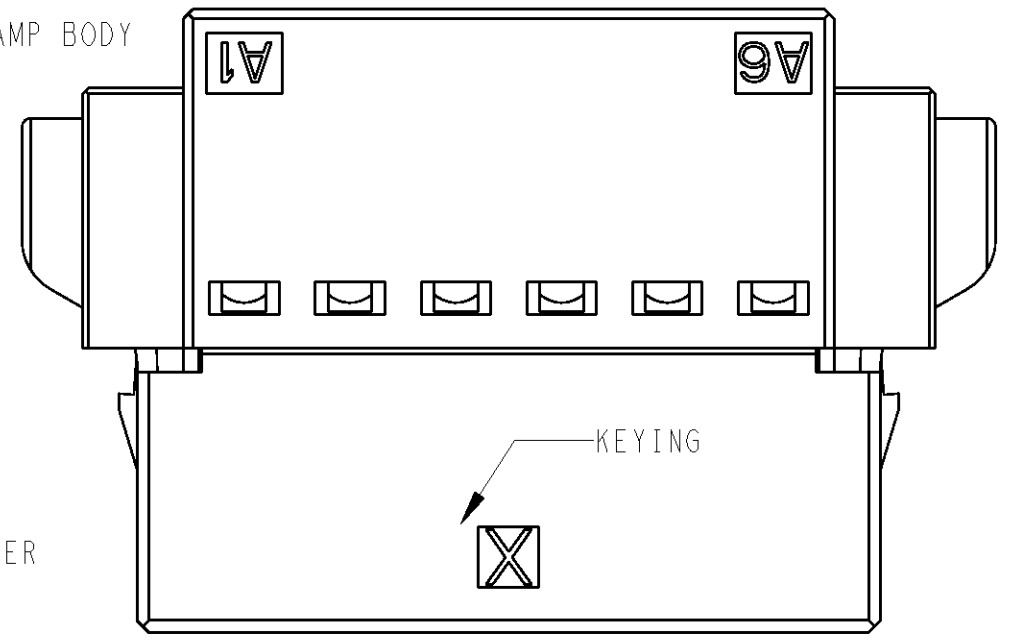


THIS DRAWING IS UNPUBLISHED. RELEASED FOR PUBLICATION 20  
 © COPYRIGHT 20 BY Tyco Electronics Japan G.K. ALL RIGHTS RESERVED.

LOC	DIST	REVISIONS				
P	LTR	DESCRIPTION	DATE	DWN	APVD	
J	-	B	REVISED PER ECR-10-013244	10JUL2010	HMR	TM
		C	REVISED	27JUN2011	M.M	N.Y



- 1. MATERIAL: HOUSING: GLASS FILLED THERMO PLASTIC POLYESTER(94V-0), COLOR: BLACK  
CONTACT: COPPER ALLOY  
SPRING: STAINLESS STEEL
- 2. FINISH(ALL OVER): NICKEL PL. 1.27μmMIN
- 3. FINISH(CONTACT AREA): GOLD PL. 0.3μmMIN AFTER 2.



POS.	n	A	B	C	D	PART No.
38	18	63.0	70.1	67.0	77.7	REC ASSY:2-1871940-9
30	14	49.0	56.1	53.0	63.7	REC ASSY:2-1871940-5
22	10	35.0	42.1	39.0	49.7	REC ASSY:2-1871940-1
16	7	24.5	31.6	28.5	39.2	REC ASSY:1-1871940-8
12	5	17.5	24.6	21.5	32.2	REC ASSY:1-1871940-6
8	3	10.5	17.6	14.5	25.2	REC ASSY:1-1871940-4

THIS DRAWING IS A CONTROLLED DOCUMENT.

DWN: S. TAKADA 09APR2007  
 CHK: J. AKASAKA 09APR2007  
 APVD: J. AKASAKA 09APR2007

**STE** TE Connectivity

NAME: DYNAMIC D1900D 3.5mm PITCH REC ASSY (SPRING CLAMP TYPE) 8-38POS

PRODUCT SPEC: 108-78336  
 APPLICATION SPEC: -  
 WEIGHT: -

SIZE: A3 CAGE CODE: 00779 DRAWING NO: C=1871940 RESTRICTED TO: -

CUSTOMER DRAWING SCALE: 4:1 SHEET: 1 OF 1 REV: C

DIMENSIONS: mm TOLERANCES UNLESS OTHERWISE SPECIFIED: ±0.3, ±3°

0 PLC ±  
 1 PLC ±  
 2 PLC ±  
 3 PLC ±  
 4 PLC ±  
 ANGLES ±

MATERIAL: 1 FINISH: 2, 3