



Chipsmall Limited consists of a professional team with an average of over 10 year of expertise in the distribution of electronic components. Based in Hongkong, we have already established firm and mutual-benefit business relationships with customers from,Europe,America and south Asia,supplying obsolete and hard-to-find components to meet their specific needs.

With the principle of "Quality Parts,Customers Priority,Honest Operation,and Considerate Service",our business mainly focus on the distribution of electronic components. Line cards we deal with include Microchip,ALPS,ROHM,Xilinx,Pulse,ON,Everlight and Freescale. Main products comprise IC,Modules,Potentiometer,IC Socket,Relay,Connector.Our parts cover such applications as commercial,industrial, and automotives areas.

We are looking forward to setting up business relationship with you and hope to provide you with the best service and solution. Let us make a better world for our industry!



## Contact us

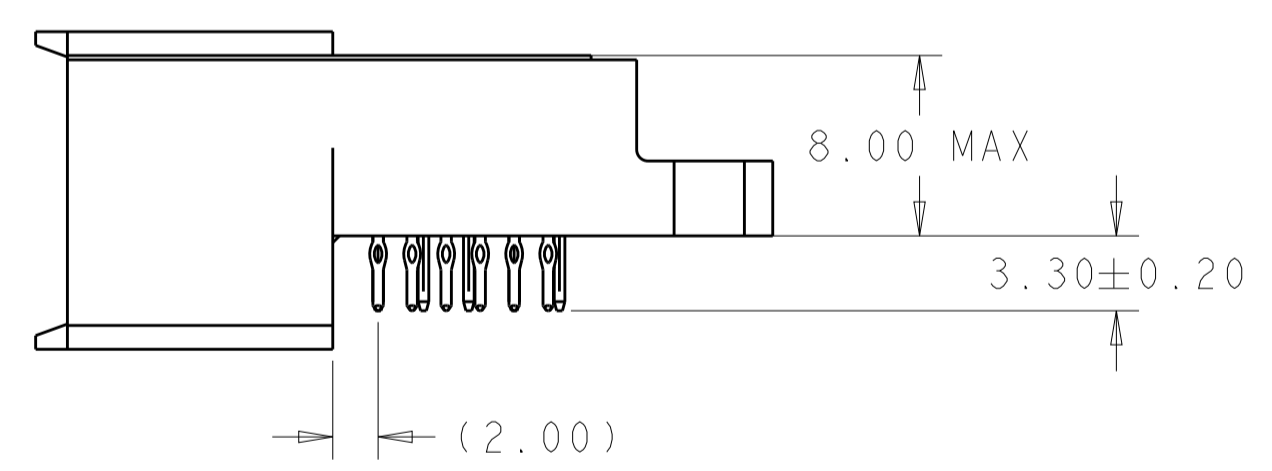
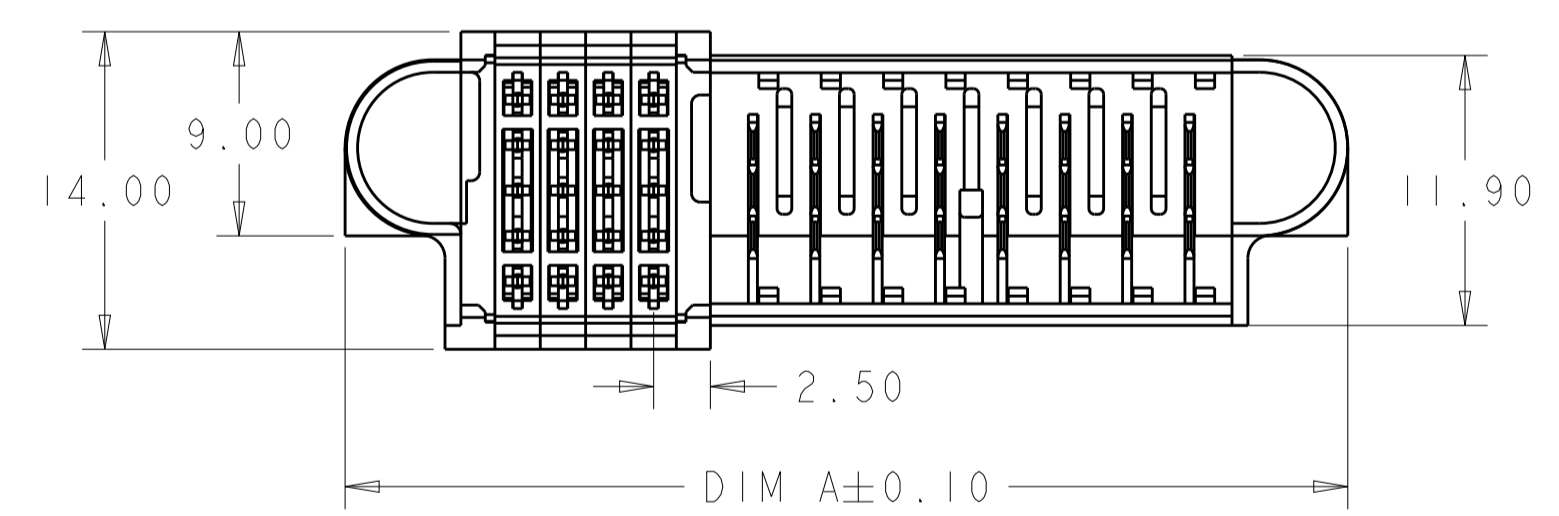
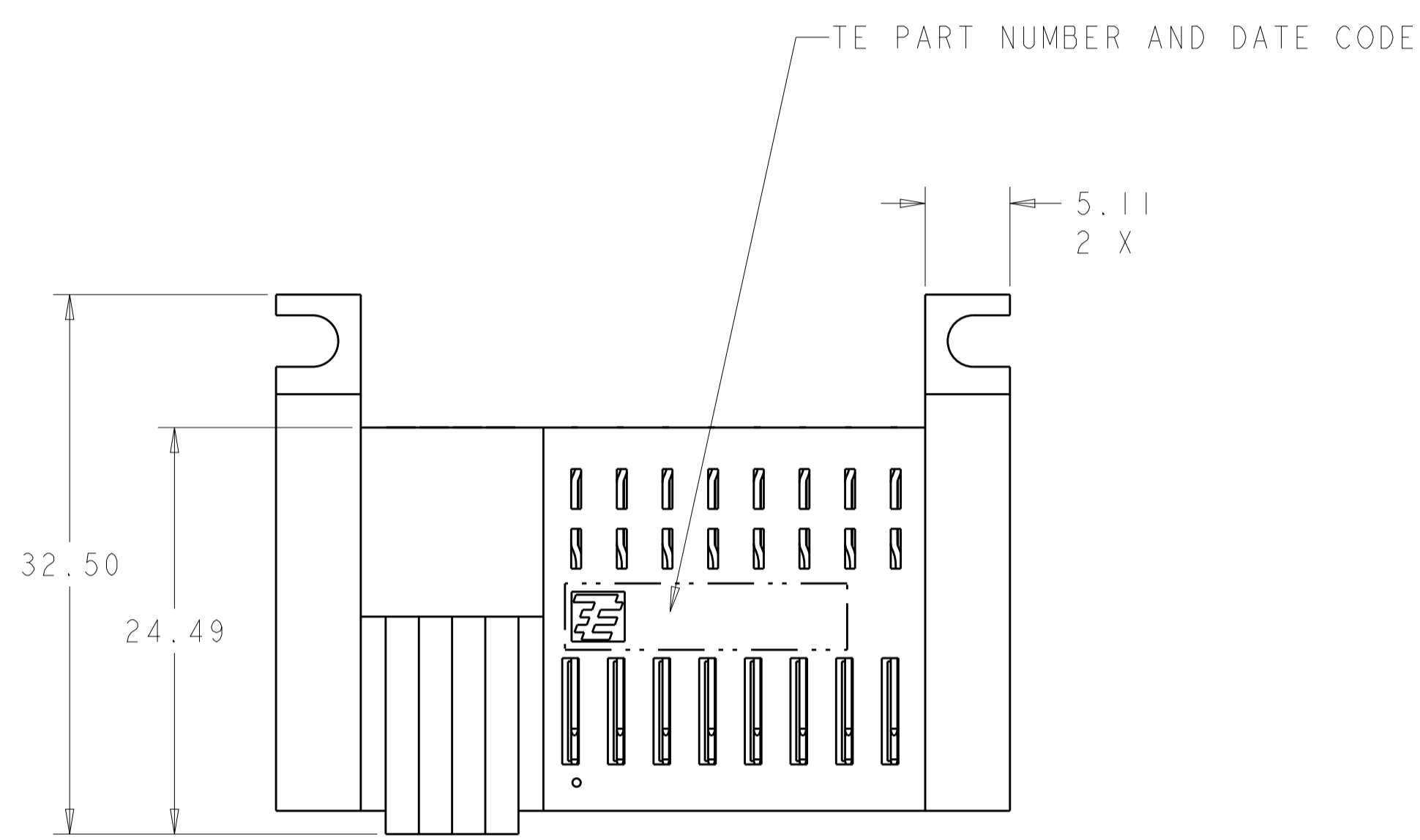
Tel: +86-755-8981 8866 Fax: +86-755-8427 6832

Email & Skype: info@chipsmall.com Web: www.chipsmall.com

Address: A1208, Overseas Decoration Building, #122 Zhenhua RD., Futian, Shenzhen, China



LOC	DIST	REVISIONS					
		P	LTN	DESCRIPTION	DATE	DWN	APVD
AA	00	1		PROPOSAL DRAWING	27OCT2011	OL	SZ
		2		REV PER ECR-12-018079	19OCT2012	OL	SZ
		3		ADD NEW PART	09AUG2013	OL	SZ



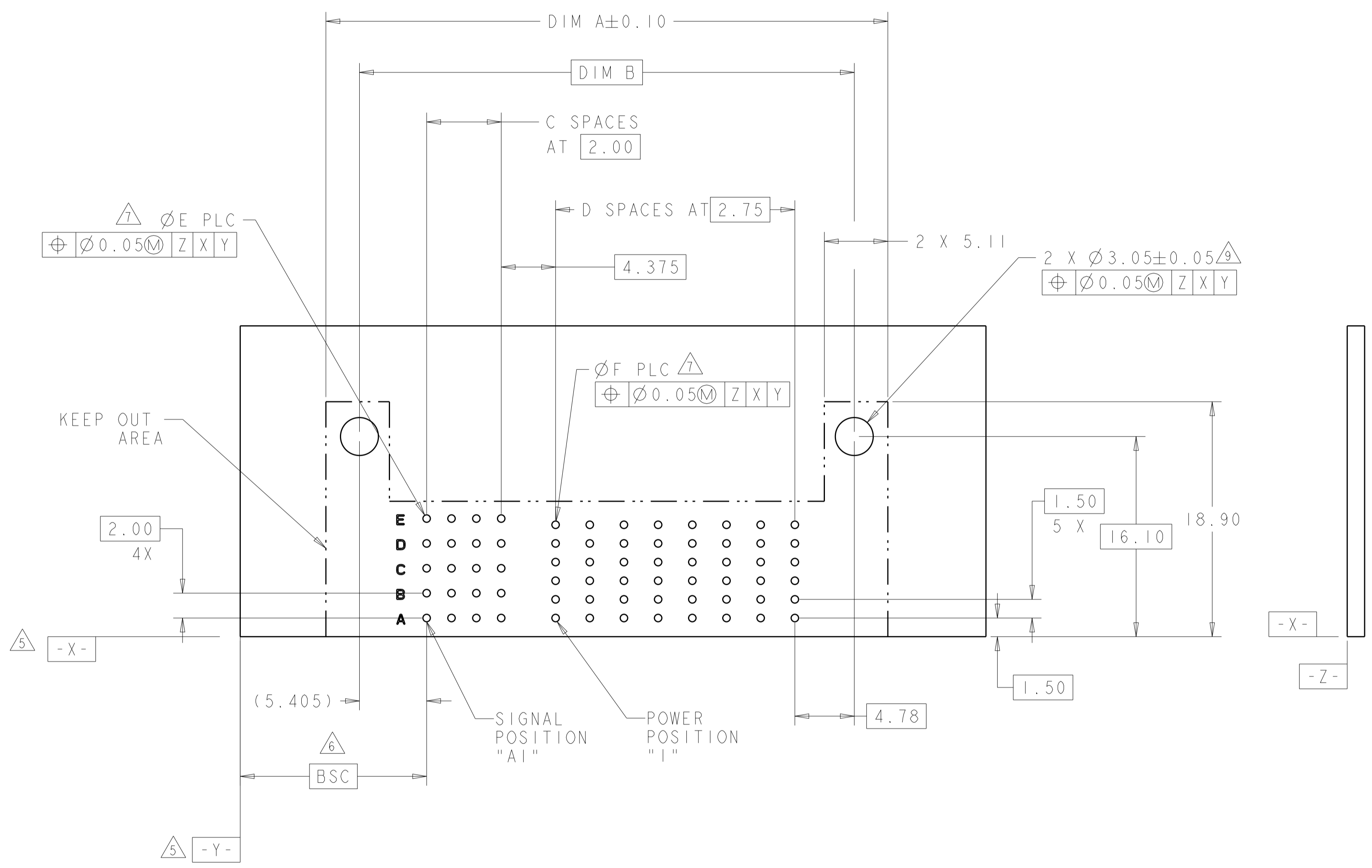
- HOUSING: GLASS FILLED LIQUID CRYSTAL POLYMER, COLOR: BLACK, UL 94 V-O RATED  
 SIGNAL CONTACT: PHOSPHOR BRONZE  
 SIGNAL OVERMOLD: GLASS FILLED POLYESTER  
 POWER CONTACT: COPPER ALLOY
  - SIGNAL CONTACT: 0.00127mm MIN NICKEL ALL OVER,  
 MATING AREA: 0.00076mm MIN GOLD OR  
 0.00008mm MIN GOLD OVER 0.00076mm MIN PALLADIUM-NICKEL  
 TAIL AREA: 0.0005mm MIN MATTE TIN  
  
 POWER CONTACT: 0.00127mm MIN NICKEL ALL OVER,  
 MATING AREA: 0.00076mm MIN GOLD OR  
 0.00008mm MIN GOLD OVER 0.00076mm MIN PALLADIUM-NICKEL  
 TAIL AREA: 0.0005mm MIN MATTE TIN
  - CONTACT MATING AREA LUBRICATED WITH BELLCORE APPROVED LUBRICANT,  
 TECHNICAL REFERENCE: GR-1217-CORE, ISSUE 1, NOVEMBER 1995.
  - THIS CONNECTOR EMPLOYS UL RECOGNIZED Z-PACK 2mm HM SIGNAL CONTACTS
- △ DATUMS AND BASIC DIMENSIONS TO BE ESTABLISHED BY CUSTOMER.
- △ PC BOARD THICKNESS 1.4mm MIN, FOR WAVE SOLDER PC BOARD THICKNESS 2.62 MAX
- △ SEE APPLICATION NOTE 114-13215 FOR PLATED THROUGH HOLE INFORMATION
8. SEE CUSTOMER DRAWING 1926845 FOR MATING CONNECTOR
- △ UNPLATED HOLES
- △ #4-40 UNC PAN HEAD SCREW WITH HEX NUT NOT SHOWN. PAN HEAD SCREW SUPPLIED BY CUSTOMER

1-1892786-1 SHOWN

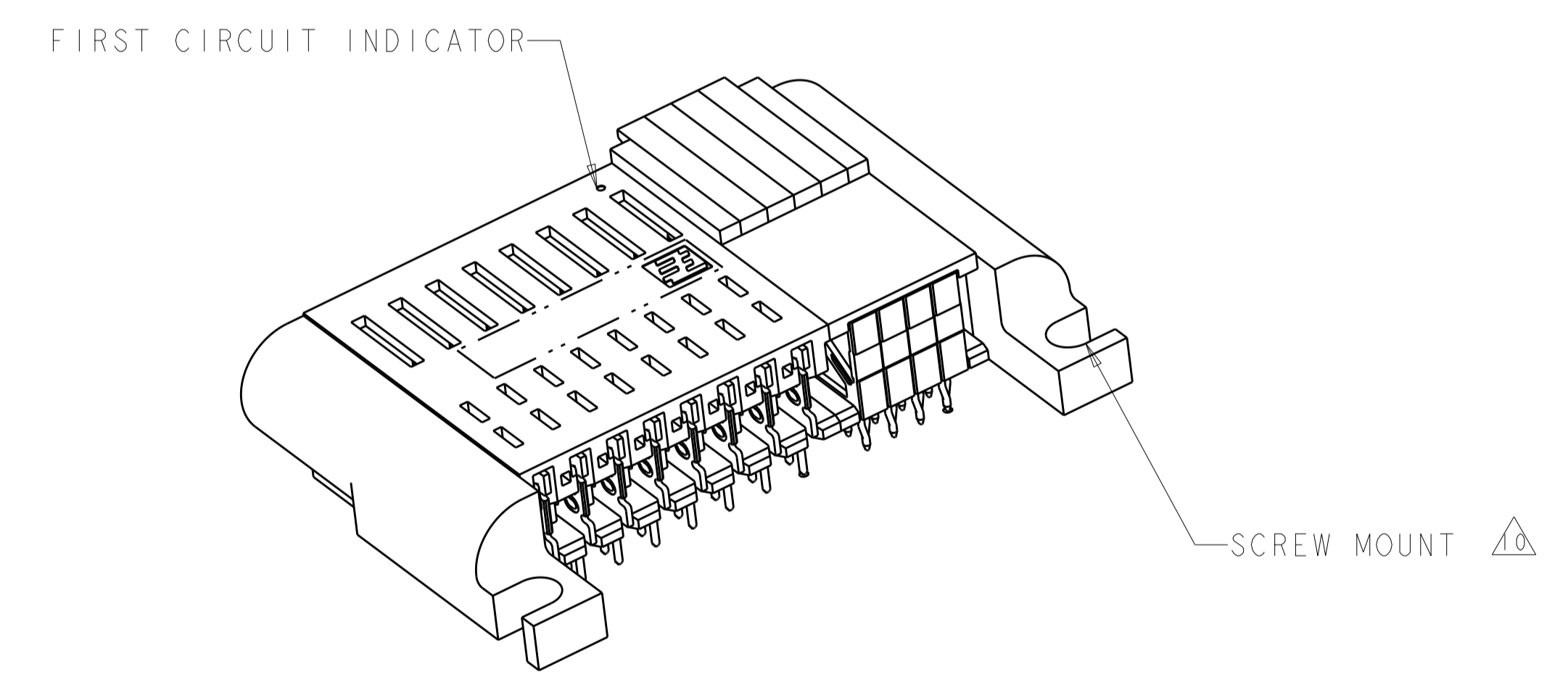
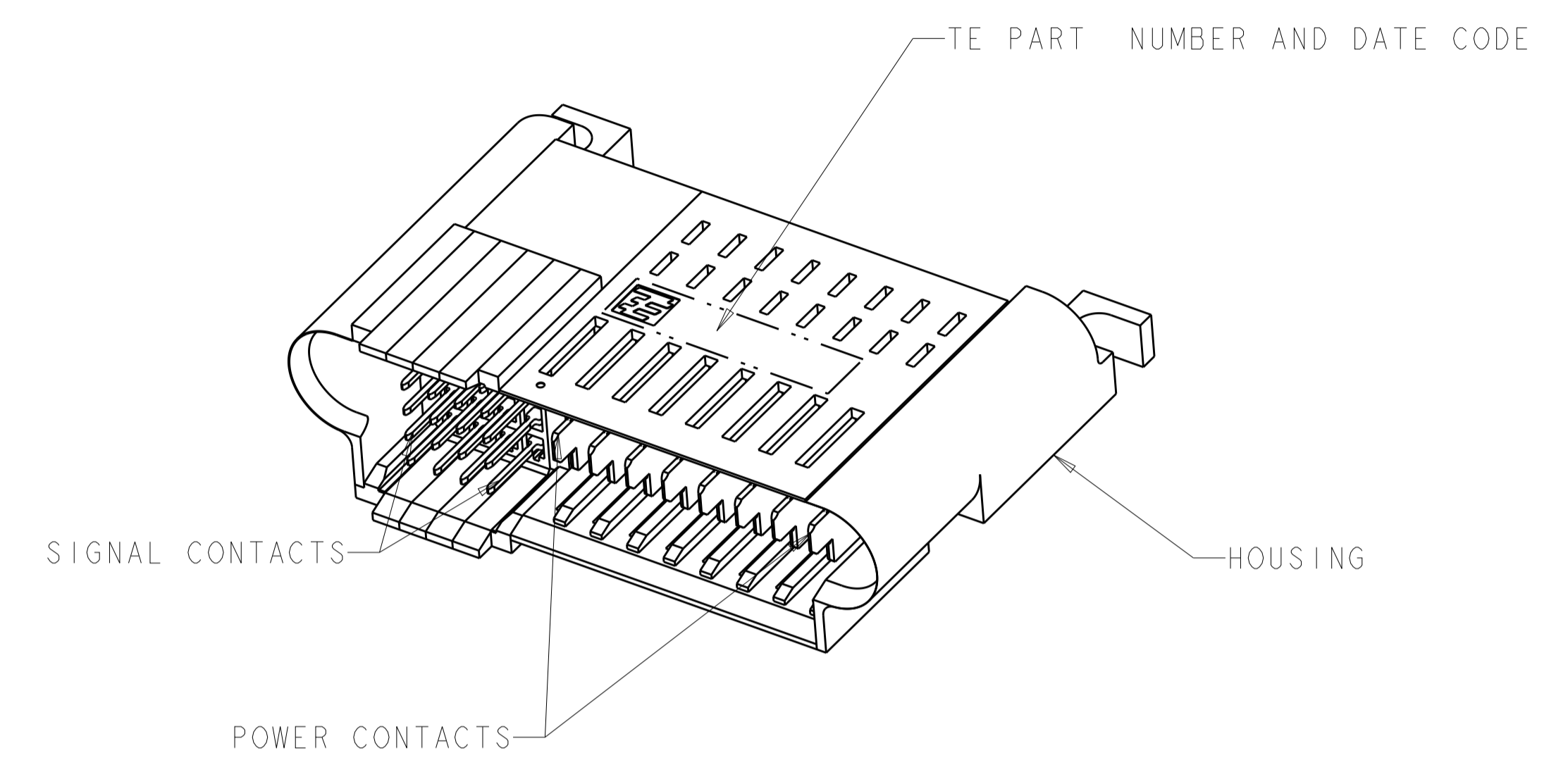
144	40	23	7	91.81	96.21	40S X 24P	7-1892786-7
96	25	15	4	63.81	68.21	25S X 16P	4-1892786-6
60	25	9	4	47.31	51.71	25S X 10P	2-1892786-5
48	25	7	4	41.81	46.21	25S X 8P	1-1892786-8
48	20	7	3	39.81	44.21	20S X 8P	1-1892786-1
72	25	11	4	52.81	57.21	25S X 12P	1892786-9
24	20	3	3	28.81	33.21	20S X 4P	1892786-4
F PLACES	E PLACES	D SPACES	C SPACES	DIM B	DIM A	NO OF POSITIONS	PART NUMBER

DIMENSIONS: mm TOLERANCES UNLESS OTHERWISE SPECIFIED: 0 PLC ± 1 PLC ±0.13 2 PLC ± 3 PLC ± 4 PLC ± ANGLES ±°		DIMENSIONS: mm TOLERANCES UNLESS OTHERWISE SPECIFIED: 0 PLC ± 1 PLC ±0.13 2 PLC ± 3 PLC ± 4 PLC ± ANGLES ±°		DIMENSIONS: mm TOLERANCES UNLESS OTHERWISE SPECIFIED: 0 PLC ± 1 PLC ±0.13 2 PLC ± 3 PLC ± 4 PLC ± ANGLES ±°		DIMENSIONS: mm TOLERANCES UNLESS OTHERWISE SPECIFIED: 0 PLC ± 1 PLC ±0.13 2 PLC ± 3 PLC ± 4 PLC ± ANGLES ±°	
MATERIAL: SEE NOTE 1 FINISH: SEE NOTE 2		MATERIAL: SEE NOTE 1 FINISH: SEE NOTE 2		MATERIAL: SEE NOTE 1 FINISH: SEE NOTE 2		MATERIAL: SEE NOTE 1 FINISH: SEE NOTE 2	
DWN: ORANDO LI 27OCT2011 CHK: SUNY ZHAO 27OCT2011 APVD: SUNY ZHAO 27OCT2011		DWN: ORANDO LI 27OCT2011 CHK: SUNY ZHAO 27OCT2011 APVD: SUNY ZHAO 27OCT2011		DWN: ORANDO LI 27OCT2011 CHK: SUNY ZHAO 27OCT2011 APVD: SUNY ZHAO 27OCT2011		DWN: ORANDO LI 27OCT2011 CHK: SUNY ZHAO 27OCT2011 APVD: SUNY ZHAO 27OCT2011	
Tyco Electronics Shanghai, PR 200233		Tyco Electronics Shanghai, PR 200233		Tyco Electronics Shanghai, PR 200233		Tyco Electronics Shanghai, PR 200233	
NAME: PLUG ASSEMBLY, RIGHT ANGLE, PASSIVE GUIDE, SIGNAL/POWER, WITH SCREW MOUNT, MINIPAK HDL		NAME: PLUG ASSEMBLY, RIGHT ANGLE, PASSIVE GUIDE, SIGNAL/POWER, WITH SCREW MOUNT, MINIPAK HDL		NAME: PLUG ASSEMBLY, RIGHT ANGLE, PASSIVE GUIDE, SIGNAL/POWER, WITH SCREW MOUNT, MINIPAK HDL		NAME: PLUG ASSEMBLY, RIGHT ANGLE, PASSIVE GUIDE, SIGNAL/POWER, WITH SCREW MOUNT, MINIPAK HDL	
SIZE: 108-2325 APPLICATION SPEC: 114-13215		SIZE: 108-2325 APPLICATION SPEC: 114-13215		SIZE: 108-2325 APPLICATION SPEC: 114-13215		SIZE: 108-2325 APPLICATION SPEC: 114-13215	
WEIGHT: - Customer Drawing		WEIGHT: - Customer Drawing		WEIGHT: - Customer Drawing		WEIGHT: - Customer Drawing	
SCALE: 3:1		SCALE: 3:1		SCALE: 3:1		SCALE: 3:1	
SHEET 1 OF 2		SHEET 1 OF 2		SHEET 1 OF 2		SHEET 1 OF 2	
REV 3		REV 3		REV 3		REV 3	

LOC		DIST		REVISIONS			
AA	00	P	LTH	DESCRIPTION	DATE	OWN	APVD
		-		SEE SHEET 1			



**1-1892786-1 SHOWN**  
**RECOMMENDED PRINTED CIRCUIT BOARD LAYOUT**  
 (AS VIEWED FROM COMPONENT SIDE)



**1-1892786-1 SHOWN**

DIMENSIONS:		TOLERANCES UNLESS OTHERWISE SPECIFIED:		OWN: ORANDO LI 27OCT2011		Tyco Electronics Shanghai, PR 200233	
mm	0 PLC ±	1 PLC ±	2 PLC ±0.13	3 PLC ±	4 PLC ±	5 PLC ±	ANGLES ±
	FINISH SEE NOTE 2	MATERIAL SEE NOTE 1		PRODUCT SPEC: 108-2325	APPLICATION SPEC: 114-13215	WEIGHT: -	Customer Drawing
				CHK: SUNY ZHAO 27OCT2011	APVD: SUNY ZHAO 27OCT2011	NAME: PLUG ASSEMBLY, RIGHT ANGLE, PASSIVE GUIDE, SIGNAL/POWER, WITH SCREW MOUNT, MINIPAK HDL	RESTRICTED TO
				SIZE: A	CAGE CODE: 00779	DRAWING NO: 1892786	SCALE: 3:1 SHEET 2 OF 2 REV 3