



Chipsmall Limited consists of a professional team with an average of over 10 year of expertise in the distribution of electronic components. Based in Hongkong, we have already established firm and mutual-benefit business relationships with customers from,Europe,America and south Asia,supplying obsolete and hard-to-find components to meet their specific needs.

With the principle of “Quality Parts,Customers Priority,Honest Operation,and Considerate Service”,our business mainly focus on the distribution of electronic components. Line cards we deal with include Microchip,ALPS,ROHM,Xilinx,Pulse,ON,Everlight and Freescale. Main products comprise IC,Modules,Potentiometer,IC Socket,Relay,Connector.Our parts cover such applications as commercial,industrial, and automotives areas.

We are looking forward to setting up business relationship with you and hope to provide you with the best service and solution. Let us make a better world for our industry!



## Contact us

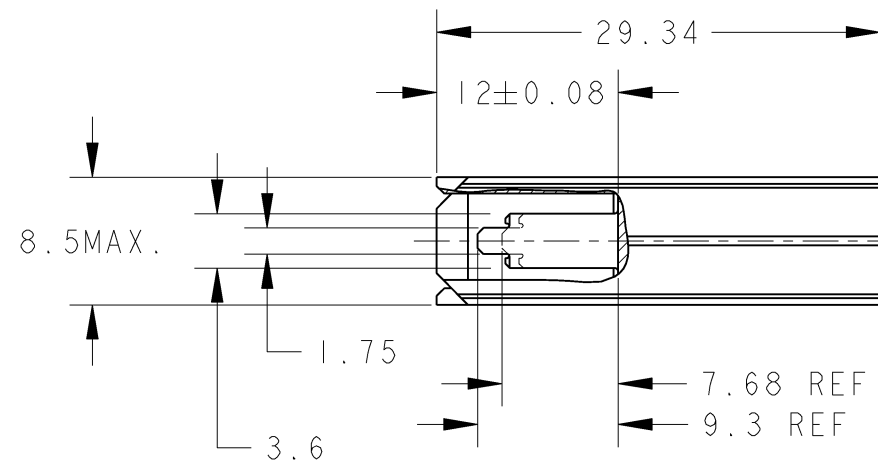
Tel: +86-755-8981 8866 Fax: +86-755-8427 6832

Email & Skype: info@chipsmall.com Web: www.chipsmall.com

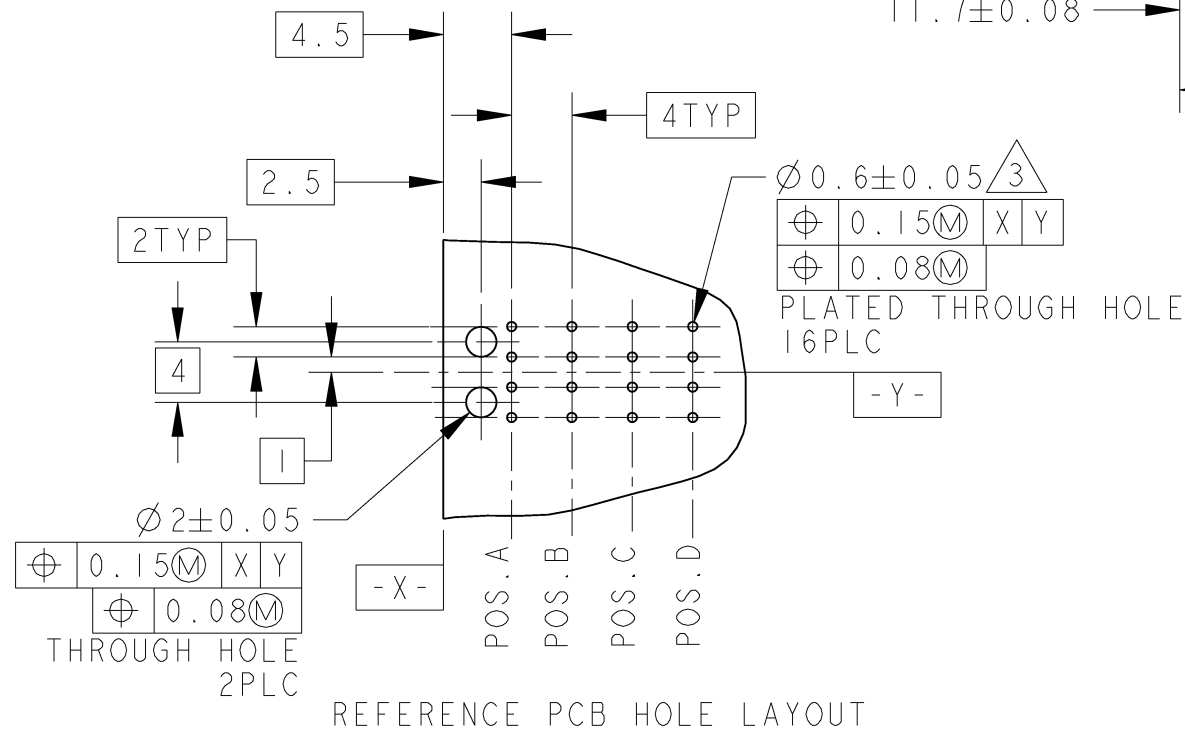
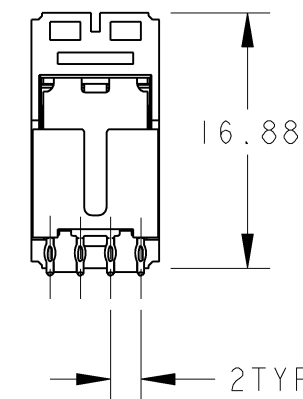
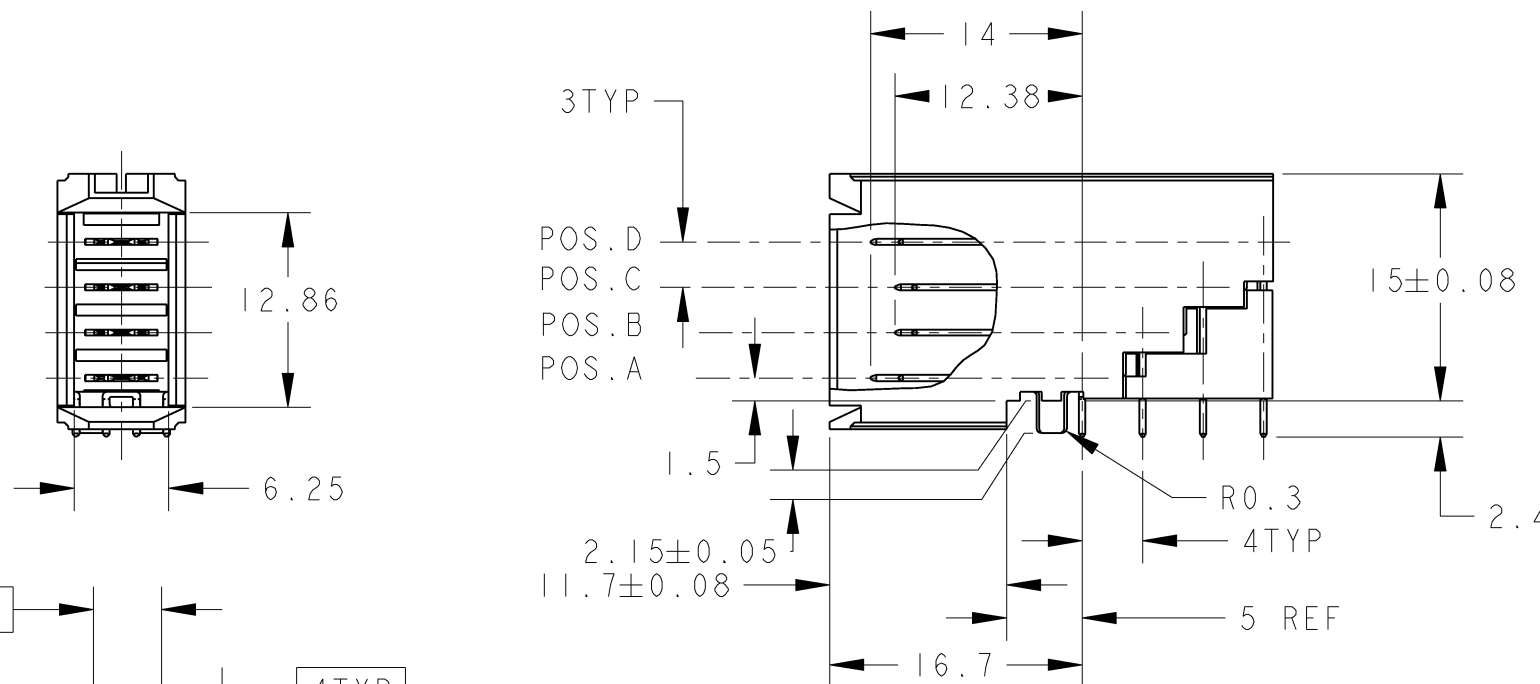
Address: A1208, Overseas Decoration Building, #122 Zhenhua RD., Futian, Shenzhen, China



LOC	DIST	REVISIONS						
		P	LTR	DESCRIPTION	DATE	DWN	APVD	
J	-		C	REVISED	ECR-11-016856	15AUG2011	K.M	E.T



- 1 MATERIAL  
CONTACT: COPPER ALLOY  
HOUSING: THERMOPLASTIC
- 2 FINISH  
CONTACT MATING AREA: 0.76μm MIN. GOLD PLATE  
EON AREA: 0.5μm MIN. TIN PLATE  
ALL OVER: 1.27μm MIN. NICKEL PLATE
- 3 TYPICAL HOLE DETAIL;  
DRILLED HOLE=Ø0.7±0.02  
COPPER THICKNESS=0.035 TO 0.065
- 4 FINISH  
CONTACT MATING AREA: 0.76μm MIN. GOLD PLATE  
EON AREA: 0.5μm MIN. BRIGHT TIN-LEAD PLATE  
ALL OVER: 1.27μm MIN. NICKEL PLATE
- 5. CONTACT AREA LUBRICATED WITH BELLCORE APPROVED LUBRICANT. TECHNICAL REFERENCE: GR-1217-CORE, ISSUE 2, DECEMBER 2008.



FINISH	POSITIONS LOADED WITH 9.3 REF CONTACTS	POSITIONS LOADED WITH 7.68 REF CONTACTS	P/N
4	A, D	B, C	2-1903977-1
2	A, D	B, C	1903977-1

THIS DRAWING IS A CONTROLLED DOCUMENT.

DWN	T. KATANO	21NOV06
CHK	K. IKEGAMI	21NOV06
APVD	K. IKEGAMI	21NOV06
PRODUCT SPEC	108-78387	
APPLICATION SPEC		
WEIGHT	-	

**STE** TE Connectivity

NAME: SLIM UNIVERSAL POWER MODULE 4POS. RIGHT ANGLE HEADER ASSEMBLY

SIZE	CAGE CODE	DRAWING NO	RESTRICTED TO
A3	-	C=1903977	-

CUSTOMER DRAWING SCALE 2:1 SHEET 1 OF 1 REV C