



Chipsmall Limited consists of a professional team with an average of over 10 year of expertise in the distribution of electronic components. Based in Hongkong, we have already established firm and mutual-benefit business relationships with customers from,Europe,America and south Asia,supplying obsolete and hard-to-find components to meet their specific needs.

With the principle of “Quality Parts,Customers Priority,Honest Operation,and Considerate Service”,our business mainly focus on the distribution of electronic components. Line cards we deal with include Microchip,ALPS,ROHM,Xilinx,Pulse,ON,Everlight and Freescale. Main products comprise IC,Modules,Potentiometer,IC Socket,Relay,Connector.Our parts cover such applications as commercial,industrial, and automotives areas.

We are looking forward to setting up business relationship with you and hope to provide you with the best service and solution. Let us make a better world for our industry!



## Contact us

Tel: +86-755-8981 8866 Fax: +86-755-8427 6832

Email & Skype: info@chipsmall.com Web: www.chipsmall.com

Address: A1208, Overseas Decoration Building, #122 Zhenhua RD., Futian, Shenzhen, China



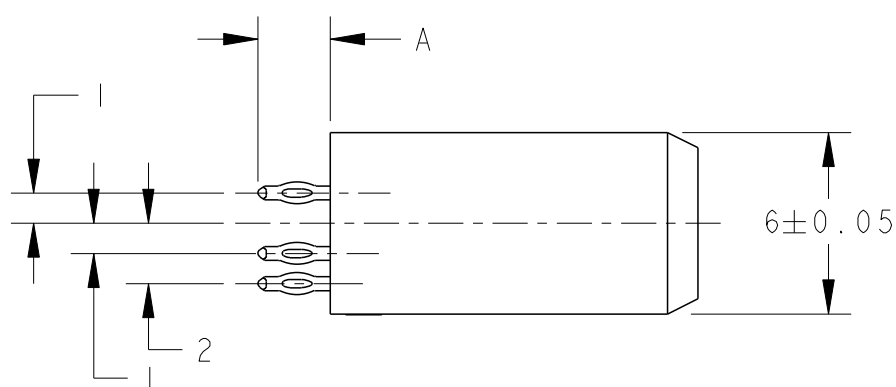
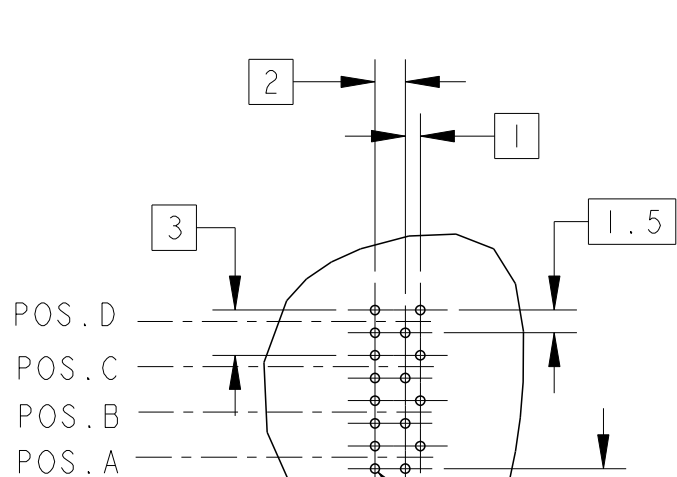
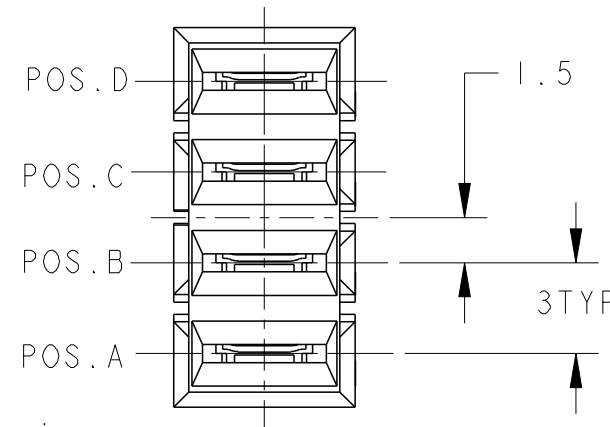
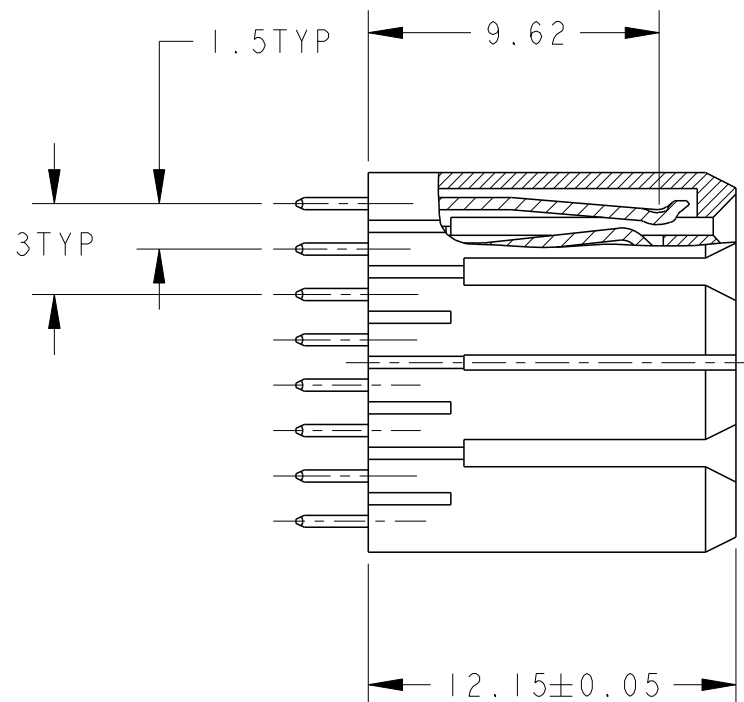
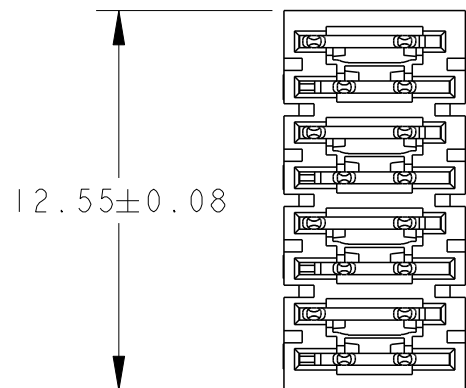
THIS DRAWING IS UNPUBLISHED.

RELEASED FOR PUBLICATION

20

© COPYRIGHT 20 BY Tyco Electronics Japan G.K. ALL RIGHTS RESERVED.

LOC	DIST	REVISIONS					
		P	LTR	DESCRIPTION	DATE	DWN	APVD
J	-		A	RELEASED	21NOV2006	T.K	K.I
			B	REVISED	22AUG2012	Y.U	E.T
			C	REV PER ECO-15-003631	09MAR2015	ML	SZ



- 1 MATERIAL  
CONTACT: COPPER ALLOY  
HOUSING: THERMOPLASTIC
- 2 FINISH  
CONTACT MATING AREA: 0.76um MIN. GOLD PLATE  
EON AREA: 0.5um MIN. TIN PLATE  
ALL OVER 1.27um MIN. NICKEL PLATE
- 3 TYPICAL HOLE DETAIL;  
DRILLED HOLE =  $\varnothing 0.7 \pm 0.02$   
COPPER THICKNESS = 0.035 TO 0.065
- 4 FINISH  
CONTACT MATING AREA: 0.76um MIN. GOLD PLATE  
EON AREA: 0.5um MIN. BRIGHT TIN-LEAD PLATE  
ALL OVER 1.27um MIN. NICKEL PLATE
- 5 CONTACT AREA LUBRICATED WITH BELLCORE APPROVED LUBRICANT. TECHNICAL REFERENCE: GR-1217-CORE, ISSUE 1, NOVEMBER 1995.

TOP SURFACE OF DAUGHTER CARD

0.75 REF  
 $\varnothing 0.6 \pm 0.05$  3  
 $\varnothing 0.08$  M  
 PLATED THROUGH HOLE  
 16PLC.

REFERENCE PCB HOLE LAYOUT

1903978-1: AS SHOWN

3.0	2	2-1903978-1
2.4	4	1-1903978-1
2.4	2	1903978-1
A	FINISH	P/N

THIS DRAWING IS A CONTROLLED DOCUMENT.		DWN T. KATANO 21NOV06	TE Connectivity													
DIMENSIONS: mm		CHK K. IKEGAMI 21NOV06														
TOLERANCES UNLESS OTHERWISE SPECIFIED: $\pm 0.3$		APVD K. IKEGAMI 21NOV06	NAME SLIM UNIVERSAL POWER MODULE 4POS. RECEPTACLE ASSEMBLY													
<table border="1"> <tr><td>0-PLC</td><td><math>\pm</math></td></tr> <tr><td>1-PLC</td><td><math>\pm 0.1</math></td></tr> <tr><td>2-PLC</td><td><math>\pm 0.01</math></td></tr> <tr><td>3-PLC</td><td><math>\pm 0.001</math></td></tr> <tr><td>4-PLC</td><td><math>\pm 0.0001</math></td></tr> <tr><td>ANGLES</td><td><math>\pm</math></td></tr> </table>		0-PLC	$\pm$	1-PLC	$\pm 0.1$	2-PLC	$\pm 0.01$	3-PLC	$\pm 0.001$	4-PLC	$\pm 0.0001$	ANGLES	$\pm$	PRODUCT SPEC 108-78387	DRAWING NO C=1903978	
0-PLC	$\pm$															
1-PLC	$\pm 0.1$															
2-PLC	$\pm 0.01$															
3-PLC	$\pm 0.001$															
4-PLC	$\pm 0.0001$															
ANGLES	$\pm$															
MATERIAL 1		FINISH SEE TABLE	SIZE A3	RESTRICTED TO -												
CUSTOMER DRAWING			SCALE 4:1	SHEET 1 OF 1												
			REV C													