



Chipsmall Limited consists of a professional team with an average of over 10 year of expertise in the distribution of electronic components. Based in Hongkong, we have already established firm and mutual-benefit business relationships with customers from,Europe,America and south Asia,supplying obsolete and hard-to-find components to meet their specific needs.

With the principle of “Quality Parts,Customers Priority,Honest Operation,and Considerate Service”,our business mainly focus on the distribution of electronic components. Line cards we deal with include Microchip,ALPS,ROHM,Xilinx,Pulse,ON,Everlight and Freescale. Main products comprise IC,Modules,Potentiometer,IC Socket,Relay,Connector.Our parts cover such applications as commercial,industrial, and automotives areas.

We are looking forward to setting up business relationship with you and hope to provide you with the best service and solution. Let us make a better world for our industry!



## Contact us

Tel: +86-755-8981 8866 Fax: +86-755-8427 6832

Email & Skype: info@chipsmall.com Web: www.chipsmall.com

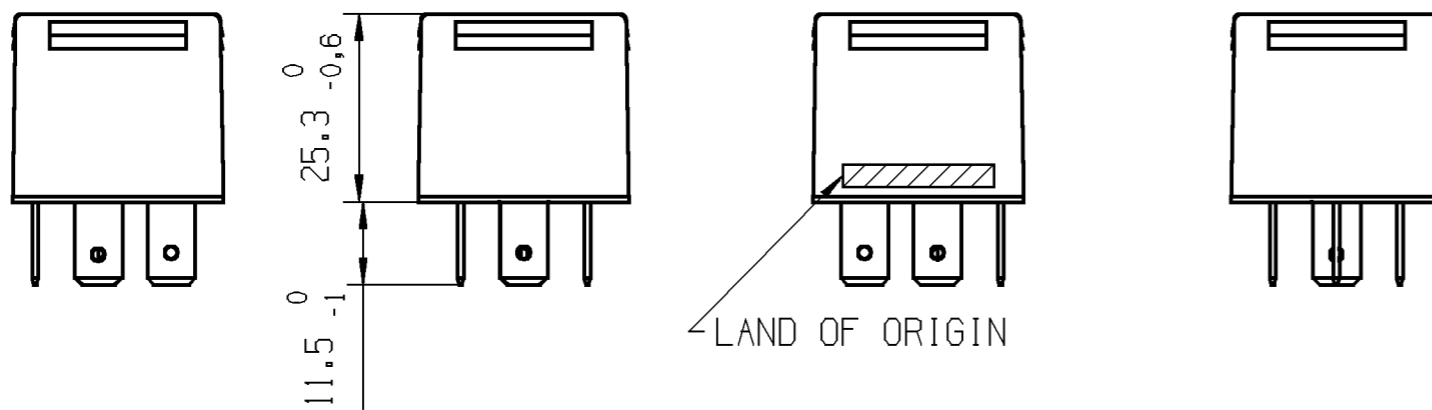
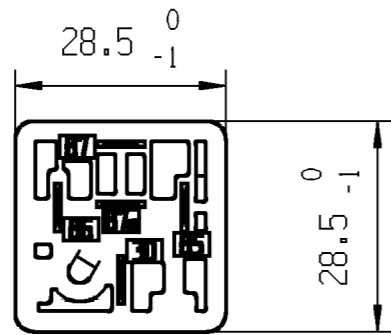
Address: A1208, Overseas Decoration Building, #122 Zhenhua RD., Futian, Shenzhen, China



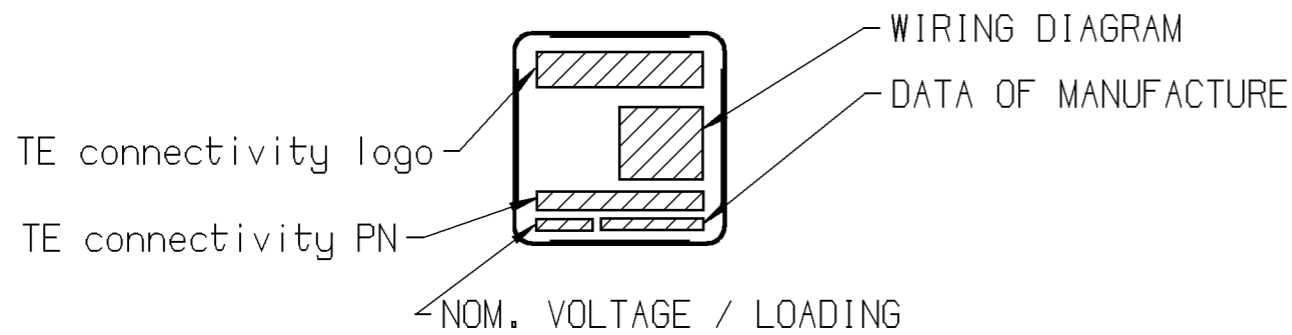
BLADE TERMINALS DIN 46 244-A6,3-0,8-CuZn Tin plated

DEGREE OF PROTECTION ACC. TO IEC529 = DIN 40 050 Teil 9

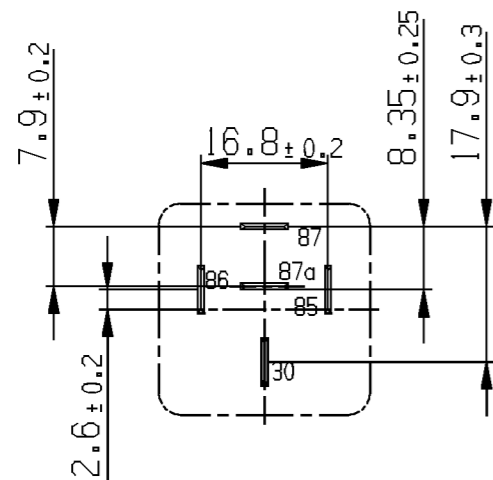
TERMINALS IP 20  
 HOUSING IP 5K4  
 IN CONNECTION WITH A CONNECTOR HOUSING  
 MOUNTING POSITION: TERMINALS SHALL POINT DOWNWARDS  
 FOR ALL OTHER POSITIONS PROTECTION GROUP IP 20 IS VALID



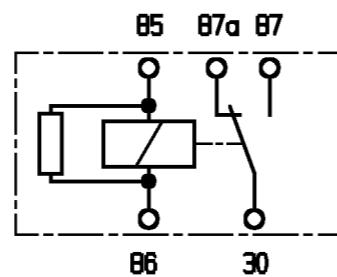
| PART       | MATERIAL           | COLOUR |
|------------|--------------------|--------|
| HOUSING    | PA 66 GF 30±10 [%] | BLACK  |
| BASE PLATE | PA 66 GF 30±10 [%] | NATURE |



TERMINAL CONFIGURATION



WIRING DIAGRAM



| OBSOLETE BOSCH P/N | TE connectivity P/N | REV | PART NUMBER       | CUSTOMER P/N | CODE NO |
|--------------------|---------------------|-----|-------------------|--------------|---------|
| 0 332 209 206      | 0-1904025-5         |     | V23234-A0004-X053 |              |         |
|                    | 1-1904025-5         |     |                   |              |         |
|                    | 2-1904025-5         |     |                   |              |         |
|                    | 3-1904025-5         |     |                   |              |         |
|                    | 4-1904025-5         |     |                   |              |         |
|                    | 5-1904025-5         |     |                   |              |         |
|                    | 6-1904025-5         |     |                   |              |         |

PROPRIETARY  
 THE REPRODUCTION, TRANSMISSION OR USE OF THIS DOCUMENT OR IT'S CONTENTS IS NOT PERMITTED WITHOUT EXPRESSED WRITTEN AUTHORITY. OFFENDERS WILL BE LIABLE FOR ALL DAMAGES. ALL RIGHTS, INCLUDING RIGHTS CREATED BY REGISTERED PATENT(S) GRANTED FOR A UTILITY MODEL OR DESIGN, ARE RESERVED.

CHANGES TO THIS DRAWING MUST BE DONE ONLY IN CAD

PAPER SIZE **A3**

APPLICABLE SPEC.:

FINISH

DIMENSIONS APPLY PLATING

SCALE **1:1** WEIGHT **Ca. 34g**

MATERIAL

TOLERANCE UNLESS SPECIFIED OTHERWISE

DIMENSIONS IN MM

| REV. | CHANGE ORDER    | DATE       | APP. | DATE     | NAME         | PART NAME |
|------|-----------------|------------|------|----------|--------------|-----------|
| B    | ECO-11-015509   | 28JUL2011  | A.P. | DWN.     | 2006-06-05   | P. Tomas  |
| A7   | INITIAL VERSION | 2007-10-15 | PTom | APP.     |              |           |
| A6   | ---             | 2007-03-07 | ---  | REV.     |              |           |
| A5   | ---             | 2007-01-15 | ---  | LOCATION | AMR PE EVORA |           |
| A4   | ---             | 2006-12-04 | ---  |          |              |           |
| A3   | ---             | 2006-11-06 | ---  |          |              |           |
| A2   | ---             | 2006-10-23 | ---  |          |              |           |

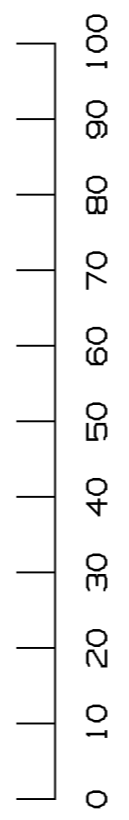
**STE** connectivity

PART NO. **V23234-A0004-X053**

SHT. **1** OF **2**

CUSTOMER DRAWING

|   |                            |
|---|----------------------------|
| Nominal voltage (load and excitation circuit)                 | 24 V                       |
| Permissible operating voltage                                 | 16...32 V                  |
| Permissible ambient temperature                               | -40...85 ° C               |
| Response voltage (at 20 ° C)                                  | ≤ 16 V                     |
| Release voltage (at 20 ° C)                                   | 3...10.5 V                 |
| Response time   | ≤ 15 ms                    |
| Release time  | ≤ 15 ms                    |
| Contact material  | Silver based               |
| Equivalent coil resistance at terminal 85-86                  | 216 ± 15 Ω                 |
| Voltage drop at blade terminals at a measuring current of 10A |                            |
| Normally Open Contact Terminal 30-87, in new condition        | Typical 50 mV, Max. 300 mV |
| After life test   | Max. 300 mV                |
| Normally Closed Contact, Terminal 30-87a in new condition     | Typical 50 mV, Max. 300 mV |
| After life test   | Max. 300 mV                |
| <br>Electrical Endurance                                      |                            |
| Resistive Load 20A on NO                                      | ≥ 250.000cycles            |
| Resistive Load 10A on NC                                      | ≥ 250.000cycles            |



|  |              |      |      |  |                      |                         |
|--|--------------|------|------|--|----------------------|-------------------------|
| PROPRIETARY<br>THE REPRODUCTION, TRANSMISSION OR USE OF THIS DOCUMENT OR IT'S CONTENTS IS NOT PERMITTED WITHOUT EXPRESSED WRITTEN AUTHORITY. OFFENDERS WILL BE LIABLE FOR ALL DAMAGES. ALL RIGHTS, INCLUDING RIGHTS CREATED BY REGISTERED PATENT(S) GRANTED FOR A UTILITY MODEL OR DESIGN, ARE RESERVED. |              |      |      | CHANGES TO THIS DRAWING MUST BE DONE ONLY IN CAD |                      | PAPER SIZE<br><b>A3</b> |
| APPLICABLE SPEC. #   |              |      |      | FINISH   |                      |                         |
|  |              |      |      | DIMENSIONS APPLY                                 |                      | PLATING                 |
|  |              |      |      | TOLERANCE UNLESS SPECIFIED OTHERWISE             | <br>DIMENSIONS IN MM | SCALE <b>1:1</b>        |
|  |              |      |      |  |                      | WEIGHT <b>Ca. 34g</b>   |
|  |              |      |      | MATERIAL   |                      |                         |
|  |              |      |      | PART NAME  |                      |                         |
|  |              |      |      | <b>MINI RELAY B<br/>CHANGEOVER /24V</b>          |                      |                         |
|  |              |      |      | PART NO.   |                      |                         |
|  |              |      |      | <b>V23234-A0004-X053</b>                         |                      |                         |
|  |              |      |      | SHT. <b>2</b>                                    |                      |                         |
|  |              |      |      | OF 2   |                      |                         |
| REV.   | CHANGE ORDER | DATE | APP. | CUSTOMER DRAWING                                 |                      |                         |

