



Chipsmall Limited consists of a professional team with an average of over 10 year of expertise in the distribution of electronic components. Based in Hongkong, we have already established firm and mutual-benefit business relationships with customers from,Europe,America and south Asia,supplying obsolete and hard-to-find components to meet their specific needs.

With the principle of “Quality Parts,Customers Priority,Honest Operation,and Considerate Service”,our business mainly focus on the distribution of electronic components. Line cards we deal with include Microchip,ALPS,ROHM,Xilinx,Pulse,ON,Everlight and Freescale. Main products comprise IC,Modules,Potentiometer,IC Socket,Relay,Connector.Our parts cover such applications as commercial,industrial, and automotives areas.

We are looking forward to setting up business relationship with you and hope to provide you with the best service and solution. Let us make a better world for our industry!



## Contact us

Tel: +86-755-8981 8866 Fax: +86-755-8427 6832

Email & Skype: info@chipsmall.com Web: www.chipsmall.com

Address: A1208, Overseas Decoration Building, #122 Zhenhua RD., Futian, Shenzhen, China



Connectors for Mini ISO Relays

Connectors in 3 different versions

■ PCB Socket

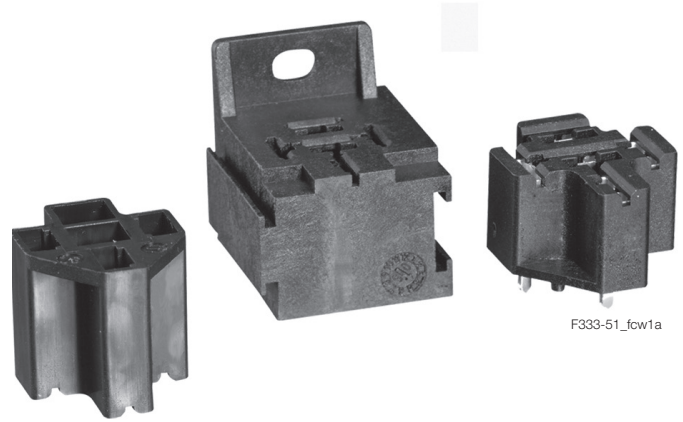
With the solderable connector Mini ISO relays with plug-in terminals can be mounted on leadframes. This allows easy and reasonable replacement in case of service.

■ Connector

5 pole connector with snap-in pin to lock in frame.

■ Connector with mounting flap

5 pole connector that can be mounted individually or interlocked. The connector has a snap-in pin to lock in frame. The mounting bracket also allows screw-on. The mounting bracket also allows screw-on.



Technical Data

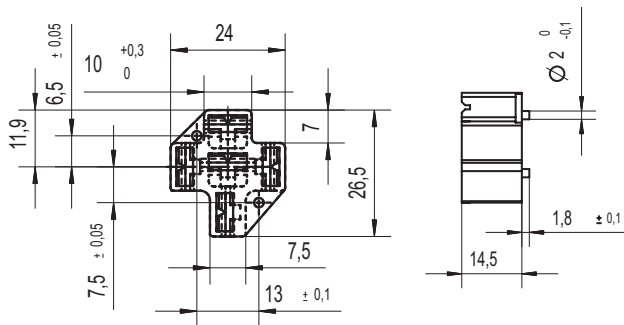
Weight	
PCB socket	approx. 7.0g (0.25oz)
Connector	approx. 3.9g (0.14oz)
Connector with mounting flap	approx. 20.6g (0.73oz)
Storage conditions according to IEC600688 <sup>1)</sup>	
Packaging/unit	
PCB socket (V23333-Z0002-B041)	500 pcs.
Connector (V23333-Z0001-A007)	500 pcs.
Connector with mounting flap (V23333-Z1001-A008)	200 pcs.

<sup>1)</sup> For general storage and processing recommendations please refer to the Application Notes and especially to storage in our Definitions or at <http://relays.te.com/appnotes/>

Dimensions

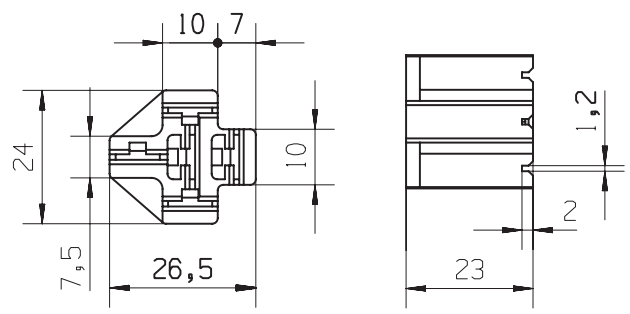
PCB socket V23333-Z0002-A041

Mounting recommendation: to keep insertion force away from the PCB the soldering of the socket to the PCB should be done with already inserted relay.

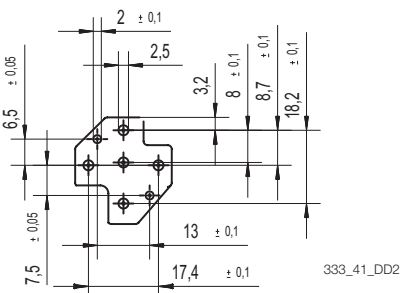


Connector V23333-Z0001-A007

Terminals to be ordered separately.



333\_7\_DD2

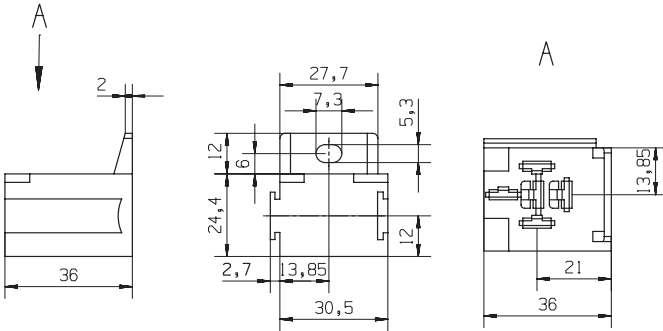


333\_41\_DD2

Connectors for Mini ISO Relays

**Connector with mounting flap V23333-Z1001-A008**

To be mounted individually or can be interlocked.  
Terminals to be ordered separately.



333\_8\_DD2

Part numbers for connectors		Selection of fitting crimp terminals <sup>2)</sup> (Ph. bronze tin plated) <sup>3)</sup>							
Product code	Part number	Terminal size	Wire mm <sup>2</sup>	Use for	Quantity required		Use in cavities		Part number for crimp terminals
					Form A	Form C	Form A	Form C	
V23333-Z0002-A041	2-1904045-4	-	-	-	-	-	-	-	-
V23333-Z0001-A007	1-1904045-1	6.3 x 0.8 6.3 x 0.8	0.5 - 1.5 1.0 - 2.5	Coil Load	2 2	2 3	1 and 2 3 and 5	1 and 2 3,4 and 5	5-160526-9 160927-4
V23333-Z1001-A008	1-1904045-2	6.3 x 0.8 6.3 x 0.8	0.5 - 1.5 1.0 - 2.5	Coil Load	2 2	2 3	1 and 2 3 and 5	1 and 2 3,4 and 5	5-160526-9 160927-4

2) Crimp terminals to be ordered separately.

3) Mentioned crimp terminals are delivered in strip-form, loose pieces and hand tool available on request.