



Chipsmall Limited consists of a professional team with an average of over 10 year of expertise in the distribution of electronic components. Based in Hongkong, we have already established firm and mutual-benefit business relationships with customers from,Europe,America and south Asia,supplying obsolete and hard-to-find components to meet their specific needs.

With the principle of "Quality Parts,Customers Priority,Honest Operation,and Considerate Service",our business mainly focus on the distribution of electronic components. Line cards we deal with include Microchip,ALPS,ROHM,Xilinx,Pulse,ON,Everlight and Freescale. Main products comprise IC,Modules,Potentiometer,IC Socket,Relay,Connector.Our parts cover such applications as commercial,industrial, and automotives areas.

We are looking forward to setting up business relationship with you and hope to provide you with the best service and solution. Let us make a better world for our industry!



Contact us

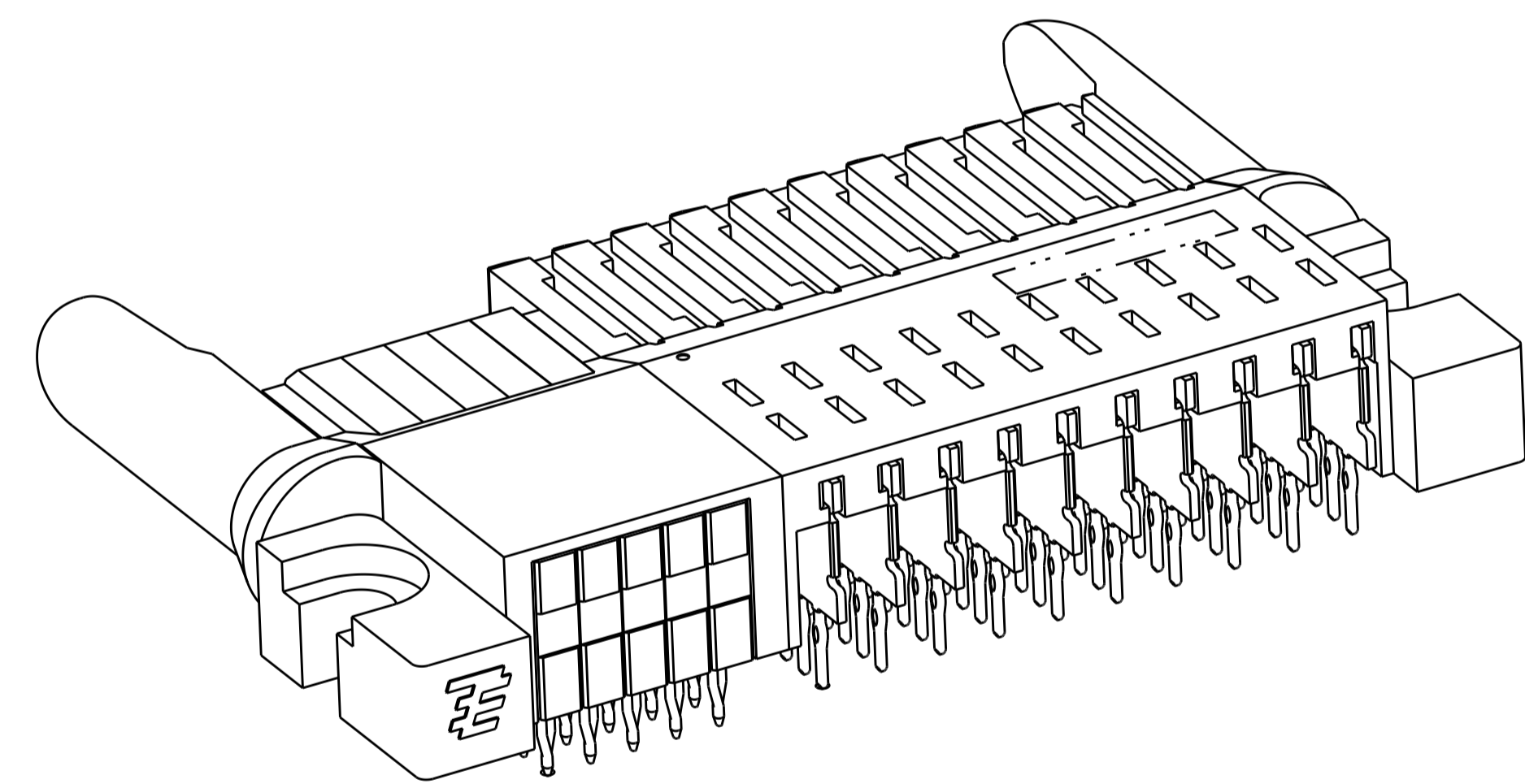
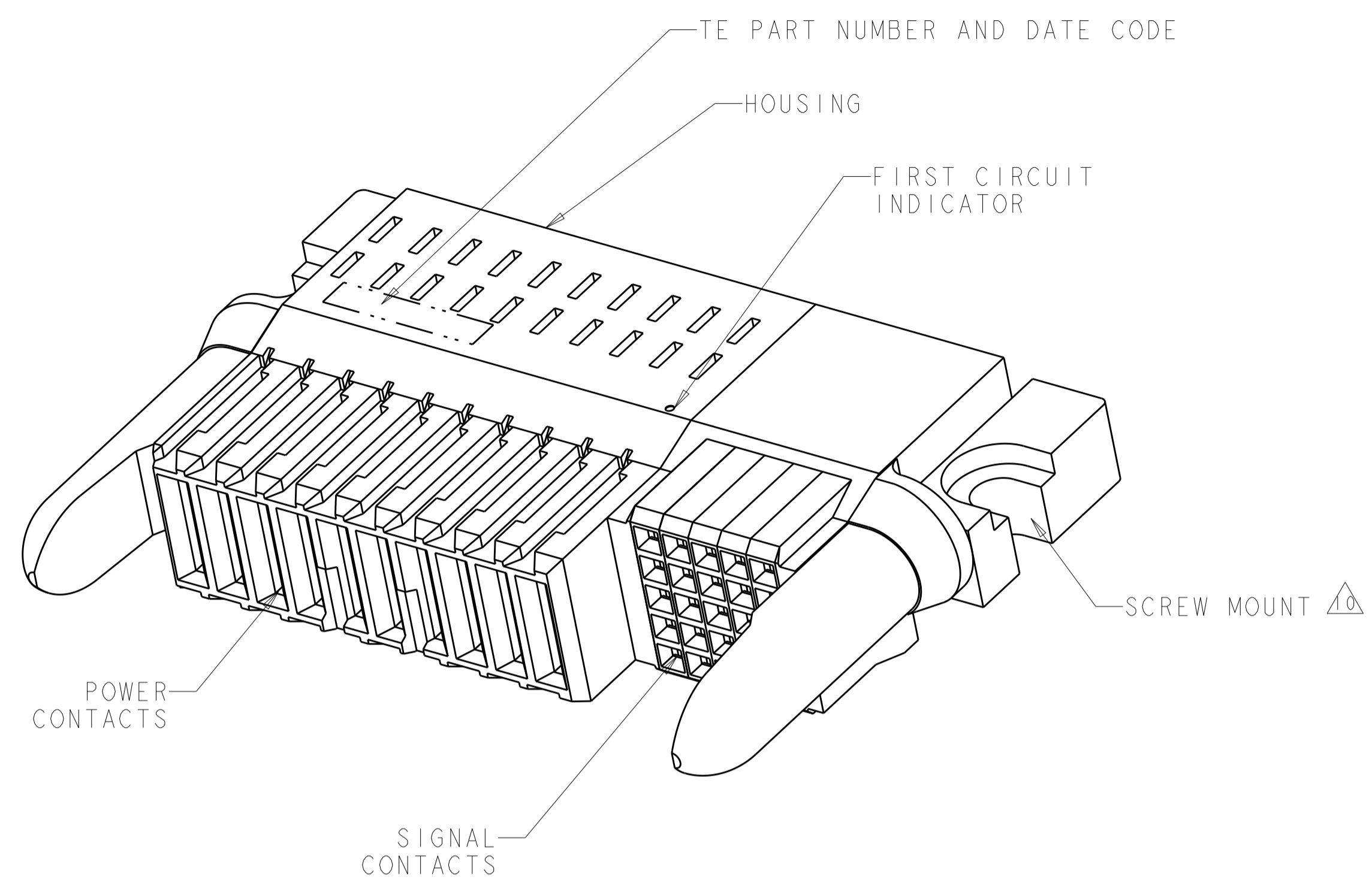
Tel: +86-755-8981 8866 Fax: +86-755-8427 6832

Email & Skype: info@chipsmall.com Web: www.chipsmall.com

Address: A1208, Overseas Decoration Building, #122 Zhenhua RD., Futian, Shenzhen, China



LOC	DIST	REVISIONS					
		P	LTN	DESCRIPTION	DATE	DWN	APVD
AA	00						
		A2		REV PER ECO-13-015117	16SEP2013	OL	SZ
		A3		ADD NEW PART 6--2	18NOV2013	OL	SZ
		A4		ECR-15-001425	19JAN2015	SZ	SZ



2-1926739-5 SHOWN

- HOUSING: GLASS FILLED LIQUID CRYSTAL POLYMER, COLOR: BLACK, UL 94 V-O RATED
 SIGNAL CONTACT: PHOSPHOR BRONZE
 SIGNAL OVERMOLD: GLASS FILLED POLYESTER
 POWER CONTACT: COPPER ALLOY
- SIGNAL CONTACT: 0.00127mm MIN NICKEL ALL OVER,
 MATING AREA: 0.00008mm MIN GOLD OVER
 0.00076mm MIN PALLADIUM-NICKEL
 TAIL AREA: 0.0005mm MIN MATTE TIN

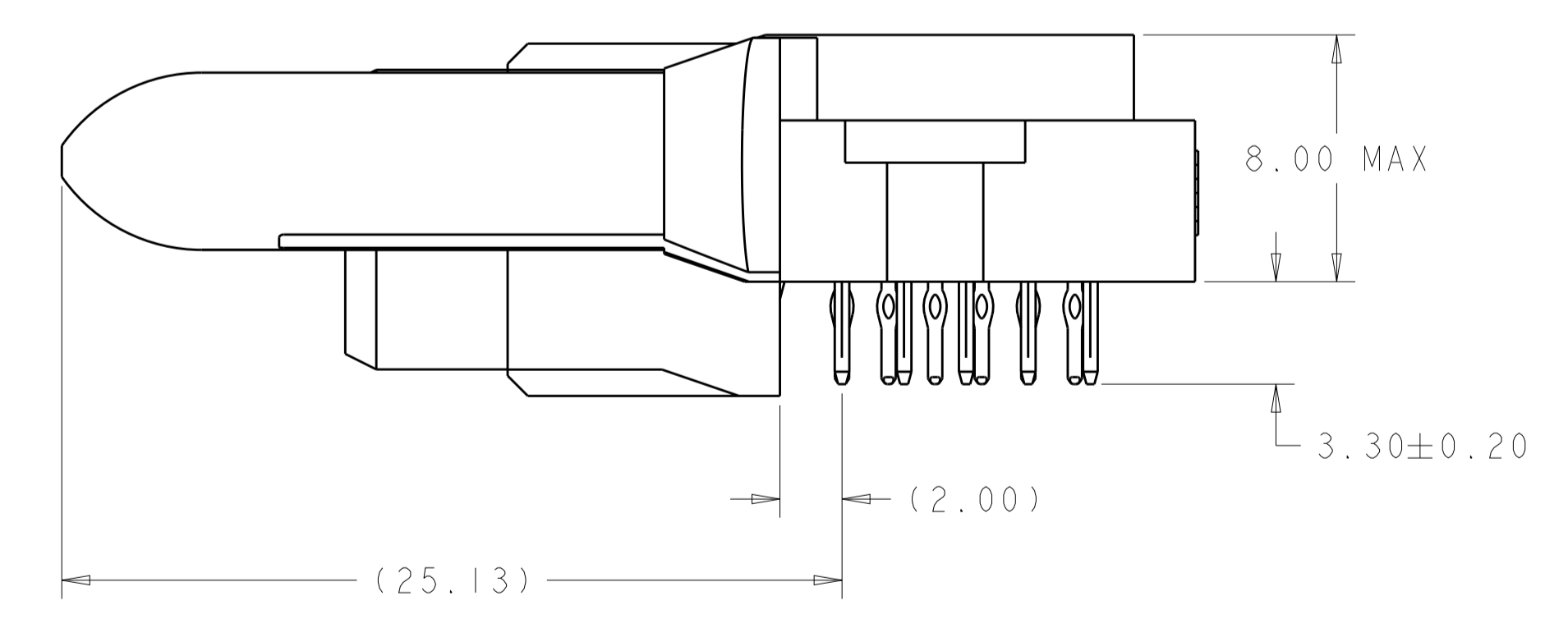
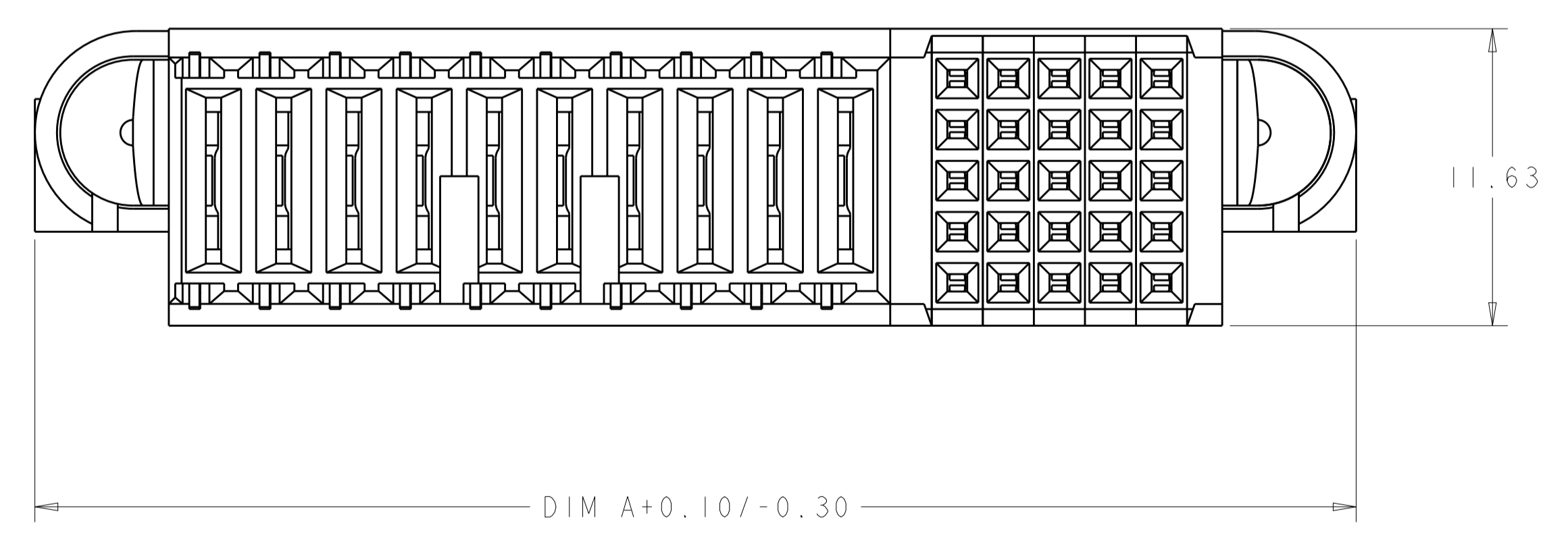
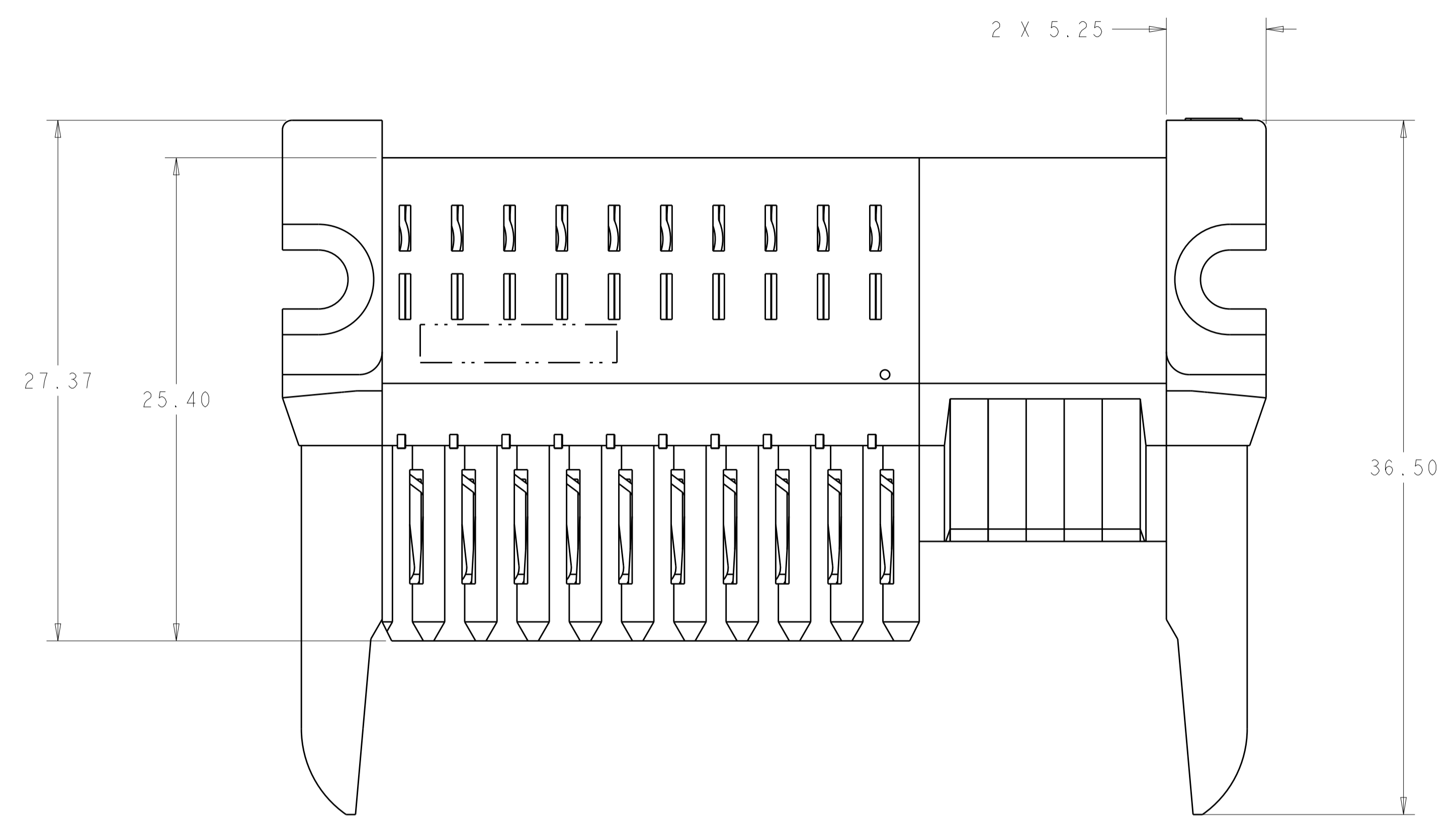
 POWER CONTACT: 0.00127mm MIN NICKEL ALL OVER,
 MATING AREA: 0.00008mm MIN GOLD OVER
 0.00076mm MIN PALLADIUM-NICKEL,
 TAIL AREA: 0.0005mm MIN MATTE TIN
- CONTACT MATING AREA LUBRICATED WITH BELLCORE APPROVED LUBRICANT,
 TECHNICAL REFERENCE: GR-1217-CORE, ISSUE 1, NOVEMBER 1995
- THIS CONNECTOR EMPLOYS UL RECOGNIZED Z-PACK 2mm HM SIGNAL CONTACTS

- △ DATUMS AND BASIC DIMENSIONS TO BE ESTABLISHED BY CUSTOMER
- △ PC BOARD THICKNESS 1.4mm MIN, FOR WAVE SOLDER PC BOARD THICKNESS 2.62 MAX
- △ SEE APPLICATION SPEC 114-13215 FOR PLATED THROUGH HOLE INFORMATION
- 8. SEE CUSTOMER DRAWING 1926730 OR 1926732 FOR MATING CONNECTOR
- △ UNPLATED HOLES
- △ #4-40 UNC PAN HEAD SCREW WITH HEX NUT, NOT SHOWN, SUPPLIED BY CUSTOMER

12	15	1	2	21.94	25.74	15S X 2P	8-1926739-0
144	40	23	7	92.44	96.24	40S X 24P	7-1926739-7
120	35	19	6	79.44	83.24	35S X 20P	6-1926739-2
108	35	17	6	73.94	77.74	35S X 18P	5-1926739-5
96	25	15	4	64.44	68.24	25S X 16P	4-1926739-6
72	15	11	2	49.44	53.24	15S X 12P	3-1926739-0
48	20	7	3	40.44	44.24	20S X 8P	1-1926739-1
72	25	11	4	51.44	57.24	25S X 12P	1926739-9
48	25	7	4	42.44	46.24	25S X 8P	1-1926739-8
36	20	5	3	36.74	40.54	20S X 6P	1-1926739-0
60	25	9	4	47.94	51.74	25S X 10P	2-1926739-5
F PLC	E PLC	D SPACES	C SPACES	DIM B	DIM A	NO OF POSITIONS	PART NUMBER

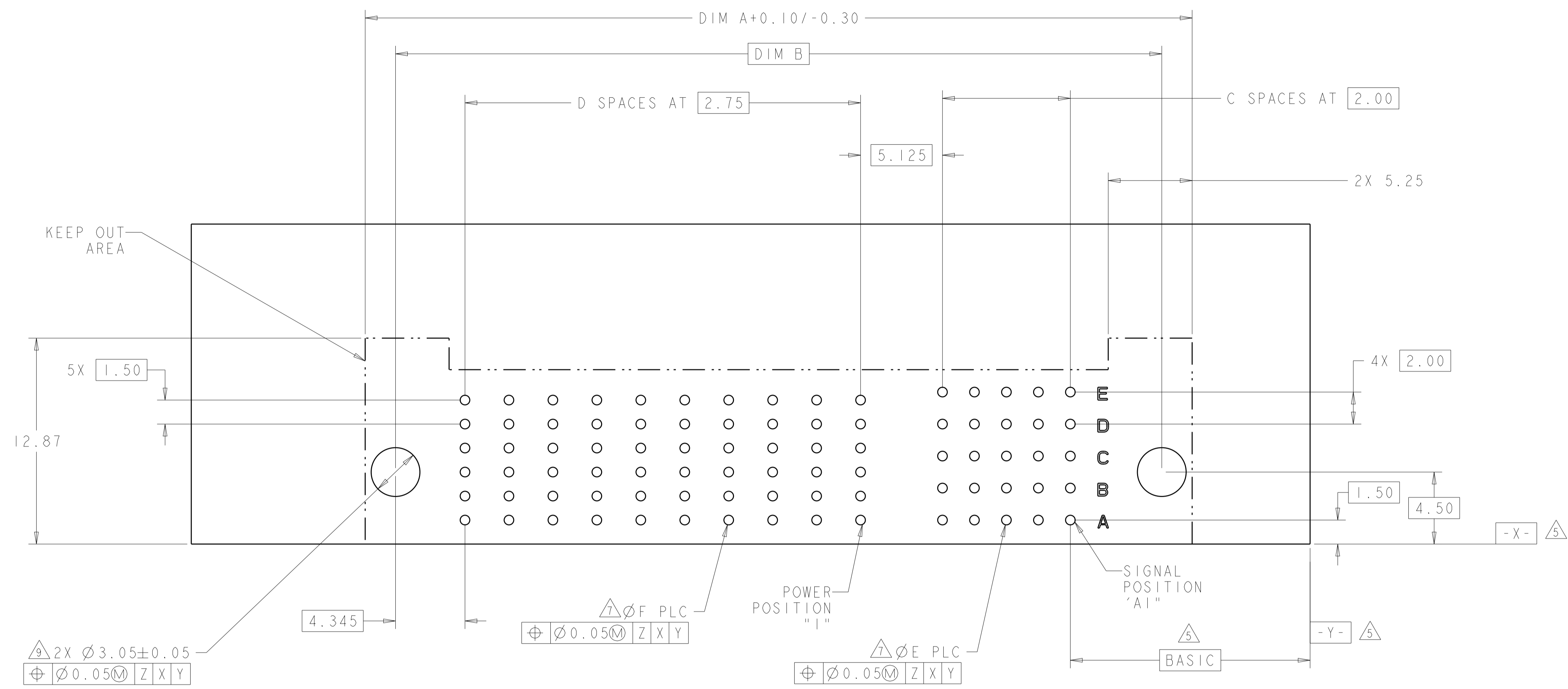
DIMENSIONS: mm 		TOLERANCES UNLESS OTHERWISE SPECIFIED: 0 PLC ± 1 PLC ±0.13 2 PLC ± 3 PLC ± 4 PLC ± ANGLES ±		DWN: ORANDO LI 28OCT2011 CHK: SUNY ZHAO 28OCT2011 APVD: SUNY ZHAO 28OCT2011		Tyco Electronics Shanghai, PR 200233	
MATERIAL: SEE NOTE 1 FINISH: SEE NOTE 2		PRODUCT SPEC: 108-2325 APPLICATION SPEC: 114-13215		NAME: RECEPTACLE ASSEMBLY, RIGHT ANGLE, PASSIVE GUIDE, SIGNAL/POWER, WITH SCREW MOUNT, MINIPAK HDL SIZE: A100779 CAGE CODE: 1926739		RESTRICTED TO: - SCALE: 3:1 SHEET 1 OF 3 REV: A4	
Customer Drawing							

LOC		DIST		REVISIONS			
P	LTN	DESCRIPTION	DATE	DMN	APVD		
-	-	SEE SHEET 1	-	-	-		



DIMENSIONS:		TOLERANCES UNLESS OTHERWISE SPECIFIED:		DWN ORANDO LI 28OCT2011		Tyco Electronics	
mm	0 PLC ±	1 PLC ±0.13	2 PLC ±	3 PLC ±	4 PLC ±	APVD SUNY ZHAO 28OCT2011	Shanghai, PR 200233
	ANGLES ±	FINISH ±	PRODUCT SPEC 108-2325		NAME RECEPTACLE ASSEMBLY, RIGHT ANGLE, PASSIVE GUIDE, SIGNAL/POWER, WITH SCREW MOUNT, MINIPAK HDL		
MATERIAL SEE NOTE 1	FINISH SEE NOTE 2	APPLICATION SPEC 114-13215		SIZE CAGE CODE DRAWING NO		RESTRICTED TO	
		WEIGHT -		A100779C=1926739		SCALE 3:1 SHEET 2 OF 3 REV A4	
Customer Drawing							

LOC	DIST	REVISIONS					
		P.	LTN	DESCRIPTION	DATE	DWN	APVD
AA	00	-	-	SEE SHEET 1	-	-	-



2-1926739-5 SHOWN
RECOMMENDED PRINTED CIRCUIT BOARD LAYOUT
 (AS VIEWED FROM COMPONENT SIDE)

<small>THIS DRAWING IS UNPUBLISHED. RELEASED FOR PUBLICATION. IT IS THE PROPERTY OF TYCO ELECTRONICS CORPORATION AND IS TO BE CONTROLLED AND DISTRIBUTED ONLY TO THOSE TO WHOM IT IS ISSUED BY CONTACTING THE APPLICABLE ORGANIZATION.</small>		DWN: ORANDO LI 28OCT2011 CHK: SUNY ZHAO 28OCT2011 APVD: SUNY ZHAO 28OCT2011	Tyco Electronics Shanghai, PR 200233
DIMENSIONS: mm 	TOLERANCES UNLESS OTHERWISE SPECIFIED: 0 PLC ± 1 PLC ±0.13 2 PLC ± 3 PLC ± 4 PLC ± ANGLES ±	NAME: RECEPTACLE ASSEMBLY, RIGHT ANGLE, PASSIVE GUIDE, SIGNAL/POWER, WITH SCREW MOUNT, MINIPAK HDL PRODUCT SPEC: 108-2325 APPLICATION SPEC: 114-13215 WEIGHT: -	SIZE: A CAGE CODE: 00779 DRAWING NO: 1926739 RESTRICTED TO: -
MATERIAL: SEE NOTE 1 FINISH: SEE NOTE 2	Customer Drawing	SCALE: 3:1 SHEET: 3 OF 3 REV: A4	