



Chipsmall Limited consists of a professional team with an average of over 10 year of expertise in the distribution of electronic components. Based in Hongkong, we have already established firm and mutual-benefit business relationships with customers from,Europe,America and south Asia,supplying obsolete and hard-to-find components to meet their specific needs.

With the principle of “Quality Parts,Customers Priority,Honest Operation,and Considerate Service”,our business mainly focus on the distribution of electronic components. Line cards we deal with include Microchip,ALPS,ROHM,Xilinx,Pulse,ON,Everlight and Freescale. Main products comprise IC,Modules,Potentiometer,IC Socket,Relay,Connector.Our parts cover such applications as commercial,industrial, and automotives areas.

We are looking forward to setting up business relationship with you and hope to provide you with the best service and solution. Let us make a better world for our industry!



Contact us

Tel: +86-755-8981 8866 Fax: +86-755-8427 6832

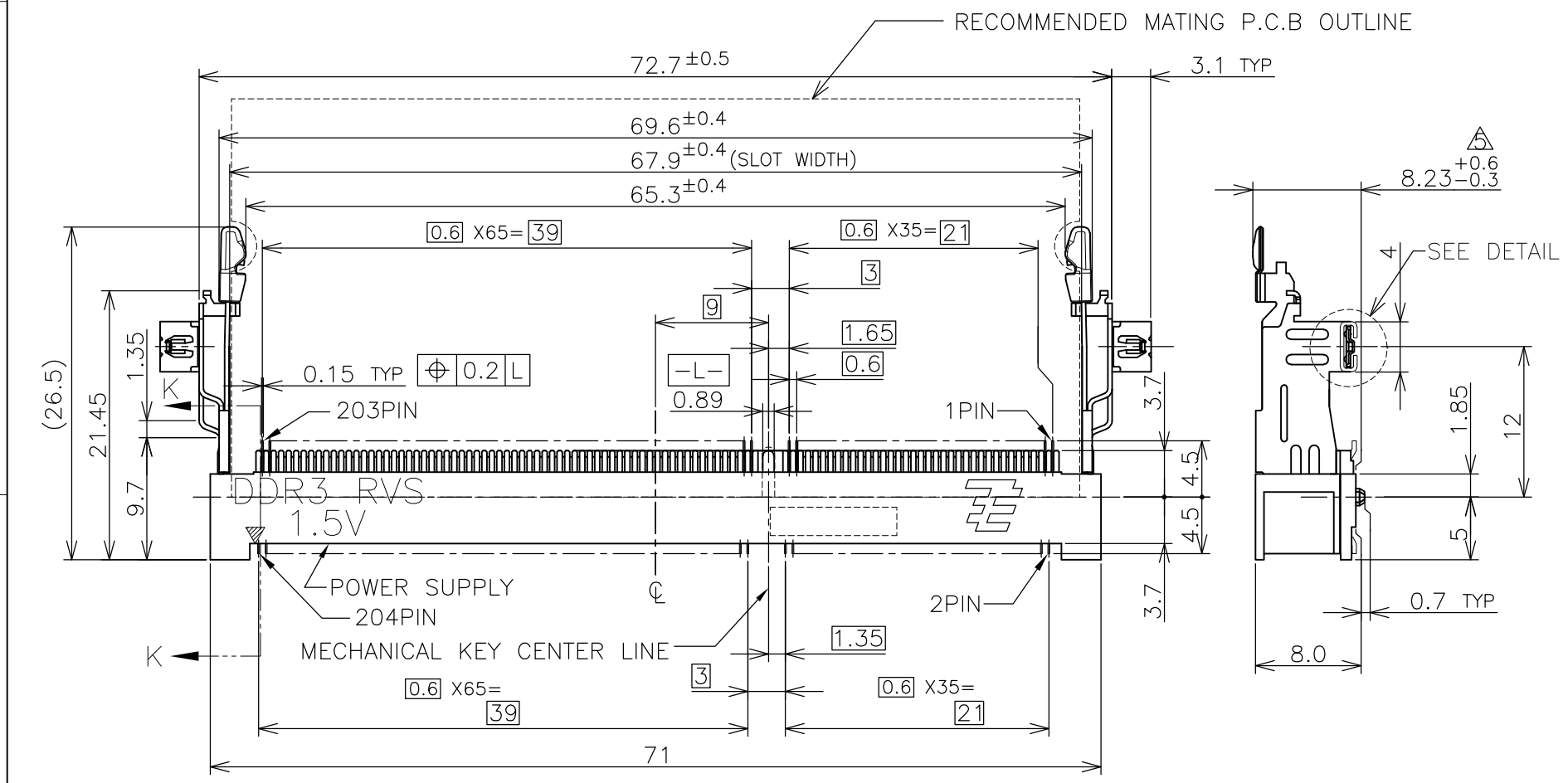
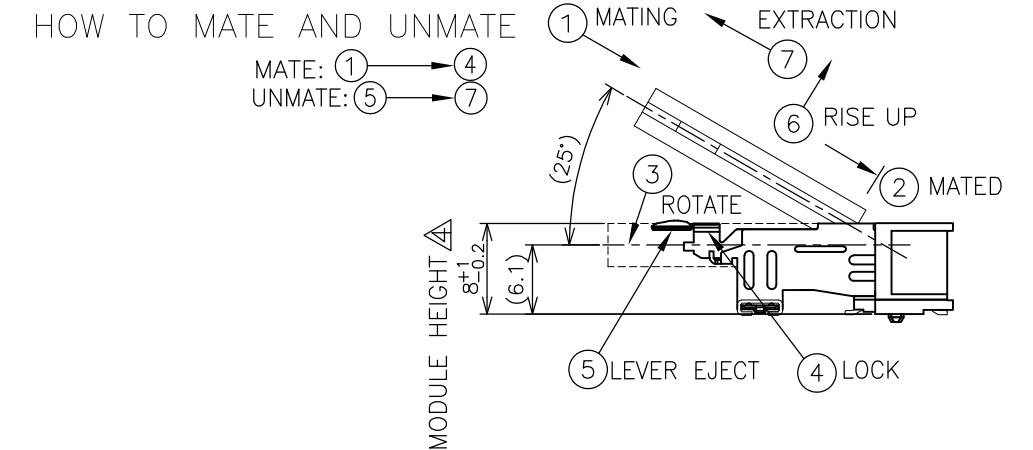
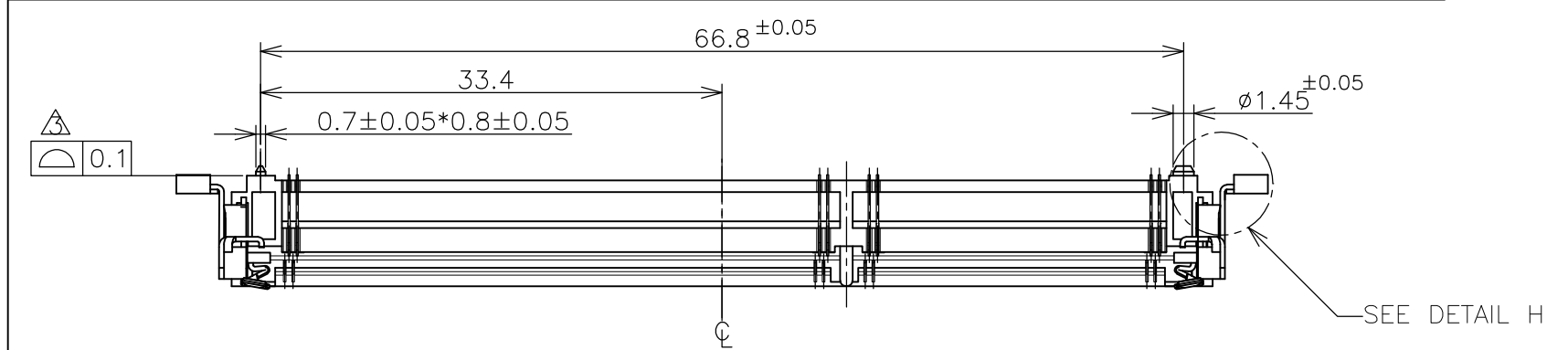
Email & Skype: info@chipsmall.com Web: www.chipsmall.com

Address: A1208, Overseas Decoration Building, #122 Zhenhua RD., Futian, Shenzhen, China



THIS DRAWING IS UNPUBLISHED. RELEASED FOR PUBLICATION SEP ,2007.
 © COPYRIGHT 2007 By - ALL RIGHTS RESERVED.

LOC		DIST		REVISIONS			
ES		P	LTR	DESCRIPTION	DATE	DWN	APVD
			B	REVISED PER ECR-12-004002	01MAR2012	W.W	C.W



(APPLIED TO SHEET 1-2)

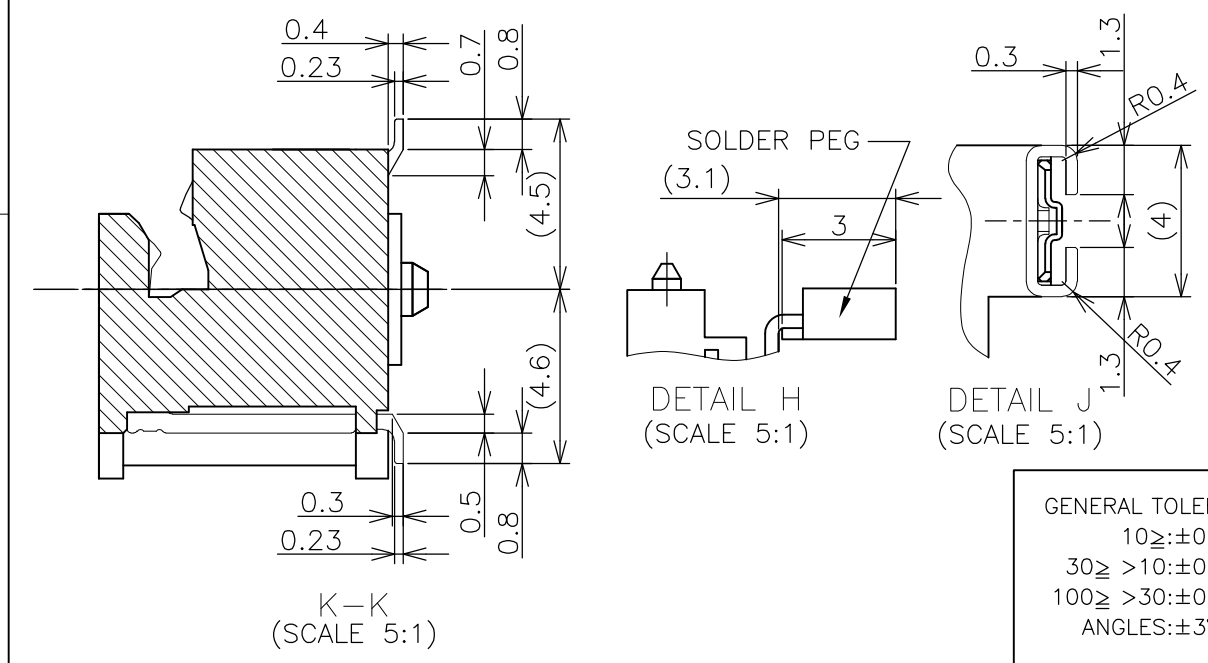
1. MATERIAL ; HOUSING: HIGH TEMPERATURE THERMO PLASTIC UL94V-0
 COLOR: SEE TABLE
 CONTACT: COPPER ARROY
 LOCK LEVER: STAINLESS STEEL
 PEG: COPPER ARROY

2-1. FINISH ; CONTACT AREA: 0.00005MIN GOLD
 ALL OVER NICKEL.
 SOLDERING AREA: GOLD FLASH PLATING
 PEG: TIN PLATING.

2-2. FINISH ; CONTACT AREA: 0.000254MIN GOLD
 ALL OVER NICKEL.
 SOLDERING AREA: GOLD FLASH PLATING
 PEG: TIN PLATING.

△ COPLANARITY: 0.1 MAX. (BEFORE SOLDERING)
 △ THE FLOATING VALUE BY SOLDERING IS NOT INCLUDED.
 △ NOT MATING CONDITION.

6. IF THE MODULE DOESN'T INSERT AND LOCK IN THE LATCH SMOOTHLY,
 OPEN WIDE BOTH LATCHES BY MANUAL. AND THE MODULE MUST BE
 INSERTED AND LOCKED IN THE LATCH.



GENERAL TOLERANCE
 10 ≥ : ±0.2
 30 ≥ > 10 : ±0.25
 100 ≥ > 30 : ±0.3
 ANGLES : ±3°

AVAILABLE	EMBOSS(SEE SHEET 4)	WITHBOSS	BLACK	NOTE 2-2	1.5V	204	2-1932323-2
AVAILABLE	EMBOSS(SEE SHEET 4)	WITHBOSS	BLACK	NOTE 2-1	1.5V	204	2-1932323-1
TOOLING STATUS	PACKAGING TYPE	REMARK	HOUSING COLOR	FINISH	POWER SUPPLY	POS	PART NO.
THIS DRAWING IS A CONTROLLED DOCUMENT.				DWN	06AUG2009		
				CHK	10AUG2009		
				APVD	10AUG2009		
				NAME			
				Y.STEVEN			
				PRODUCT SPEC			
				108-78493			
				APPLICATION SPEC			
				WEIGHT			
				-			
				CUSTOMER DRAWING		SCALE 2:1	
				SHEET 1 OF 4		REV B	



DDR3 SODIMM SOCKET
 0.6mm PITCH 204POS
 8.0mm HEIGHT REVERSE TYPE

THIS DRAWING IS UNPUBLISHED.

RELEASED FOR PUBLICATION

SEP , 2007.

© COPYRIGHT 2007 By -

ALL RIGHTS RESERVED.

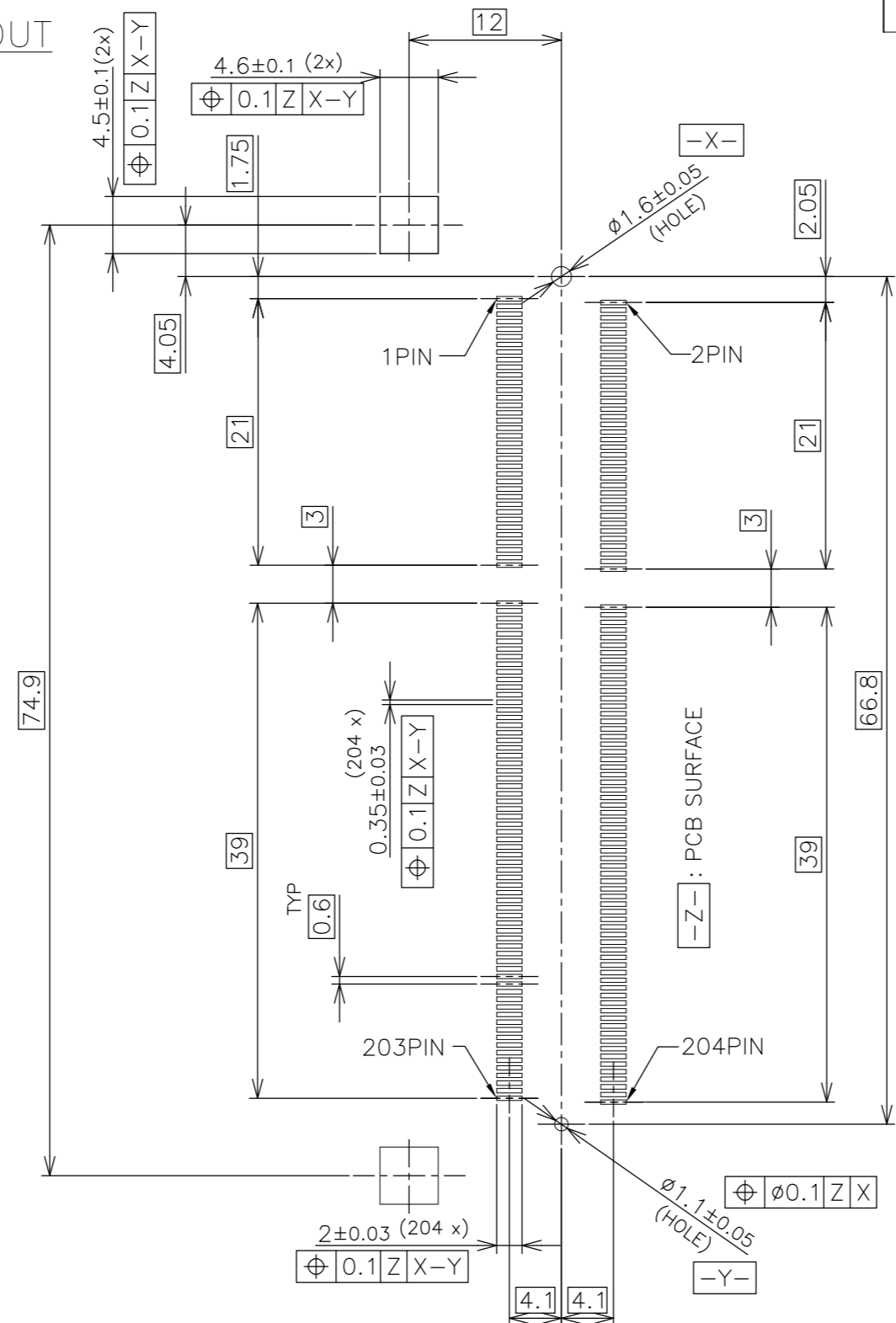
LOC
ES

DIST
/


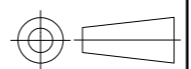
REVISIONS

P	LTR	DESCRIPTION	DATE	DWN	APVD
-	-	SEE SHEET 1	-	-	-

REFERENCE P.C.BOARD PATTERN LAYOUT (CONNECTOR MOUNTING SIDE)



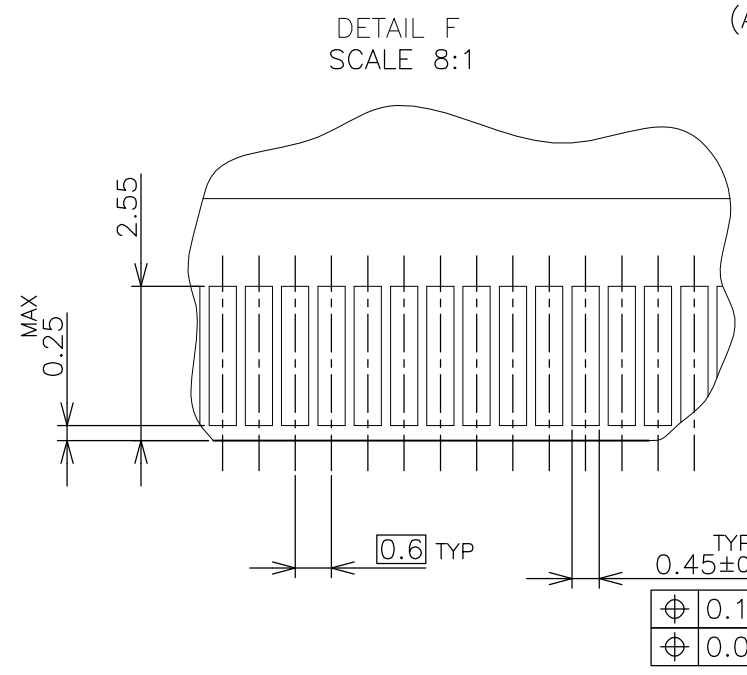
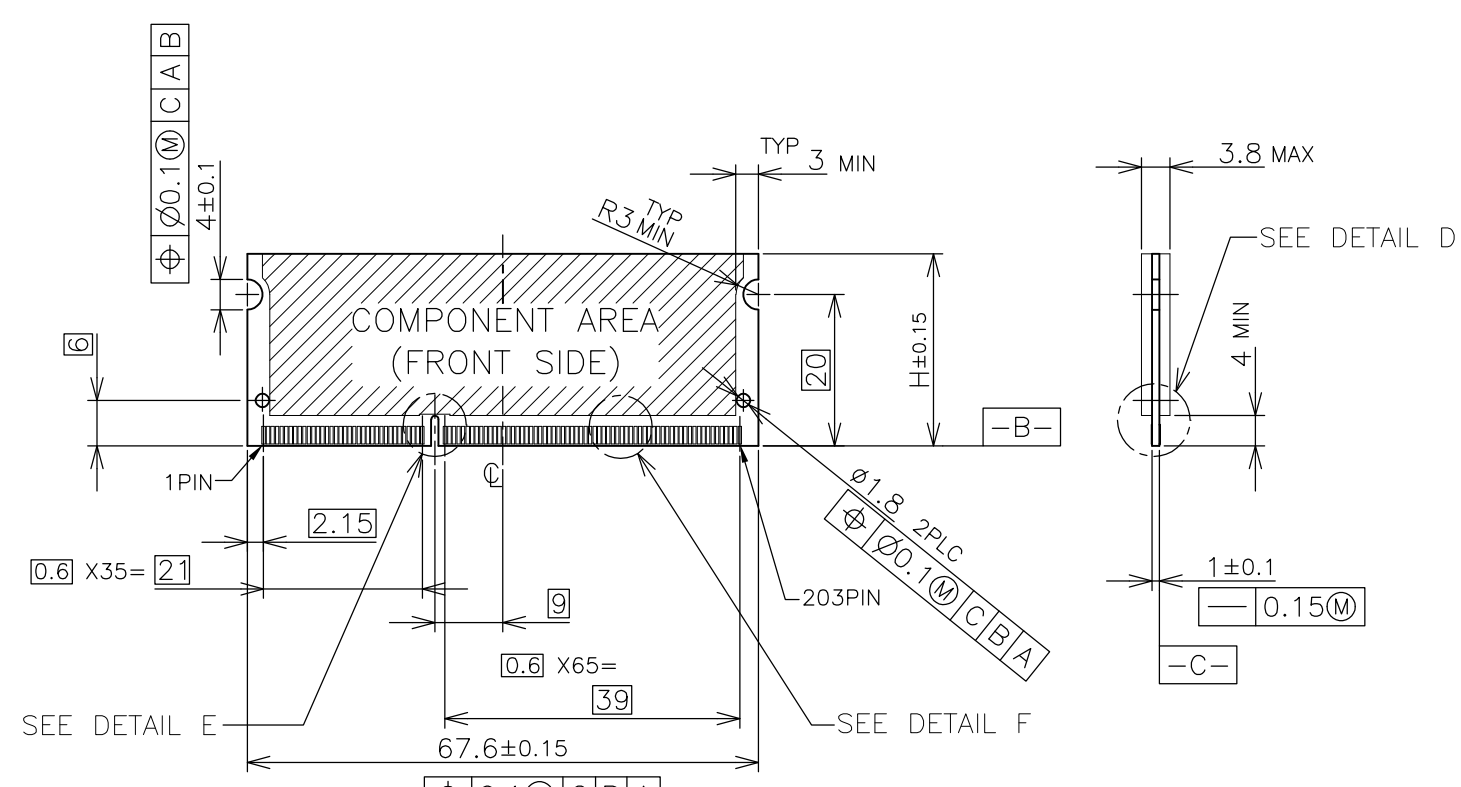
RVS TYPE

THIS DRAWING IS A CONTROLLED DOCUMENT.		DWN	 TE Connectivity																
DIMENSIONS: MM		CHK				NAME DDR3 SODIMM SOCKET 0.6mm PITCH 204POS 8.0mm HEIGHT REVERSE TYPE													
		APVD							<table border="1"> <tr> <td>SIZE</td> <td>CAGE CODE</td> <td>DRAWING NO</td> <td>RESTRICTED TO</td> </tr> <tr> <td>A3</td> <td>00779</td> <td>C-1932323</td> <td>-</td> </tr> </table>			SIZE	CAGE CODE	DRAWING NO	RESTRICTED TO	A3	00779	C-1932323	-
SIZE	CAGE CODE	DRAWING NO				RESTRICTED TO													
A3	00779	C-1932323	-																
TOLERANCES UNLESS OTHERWISE SPECIFIED:		PRODUCT SPEC	<table border="1"> <tr> <td>SCALE</td> <td>SHEET</td> <td>REV</td> </tr> <tr> <td>2:1</td> <td>2 of 4</td> <td>B</td> </tr> </table>			SCALE	SHEET	REV	2:1	2 of 4	B								
SCALE	SHEET	REV																	
2:1	2 of 4	B																	
<table border="1"> <tr> <td>0 PLC</td> <td>±</td> </tr> <tr> <td>1 PLC</td> <td>±</td> </tr> <tr> <td>2 PLC</td> <td>±</td> </tr> <tr> <td>3 PLC</td> <td>±</td> </tr> <tr> <td>4 PLC</td> <td>±</td> </tr> <tr> <td>ANGLES</td> <td>±</td> </tr> </table>		0 PLC	±	1 PLC	±	2 PLC	±	3 PLC	±	4 PLC	±	ANGLES	±	APPLICATION SPEC	<table border="1"> <tr> <td>WEIGHT</td> <td>CUSTOMER DRAWING</td> </tr> </table>			WEIGHT	CUSTOMER DRAWING
0 PLC	±																		
1 PLC	±																		
2 PLC	±																		
3 PLC	±																		
4 PLC	±																		
ANGLES	±																		
WEIGHT	CUSTOMER DRAWING																		
MATERIAL		FINISH	<table border="1"> <tr> <td>FINISH</td> <td>SCALE</td> <td>SHEET</td> <td>REV</td> </tr> <tr> <td></td> <td>2:1</td> <td>2 of 4</td> <td>B</td> </tr> </table>			FINISH	SCALE	SHEET	REV		2:1	2 of 4	B						
FINISH	SCALE	SHEET				REV													
	2:1	2 of 4	B																

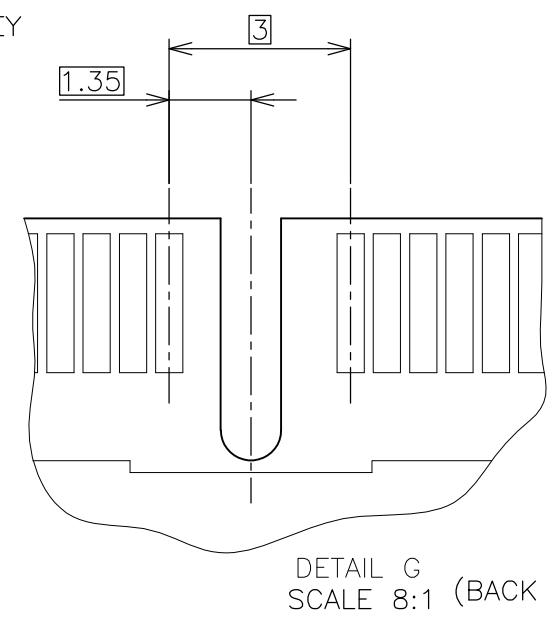
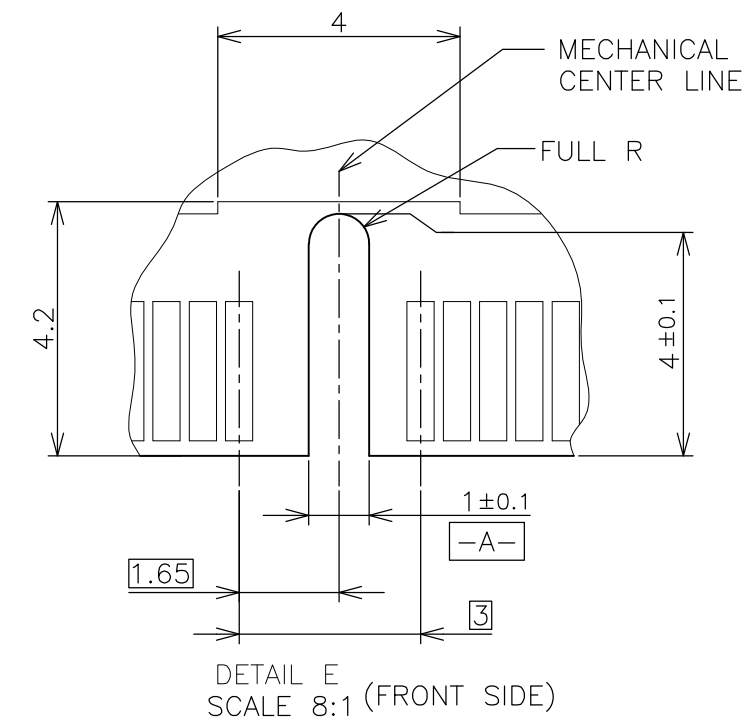
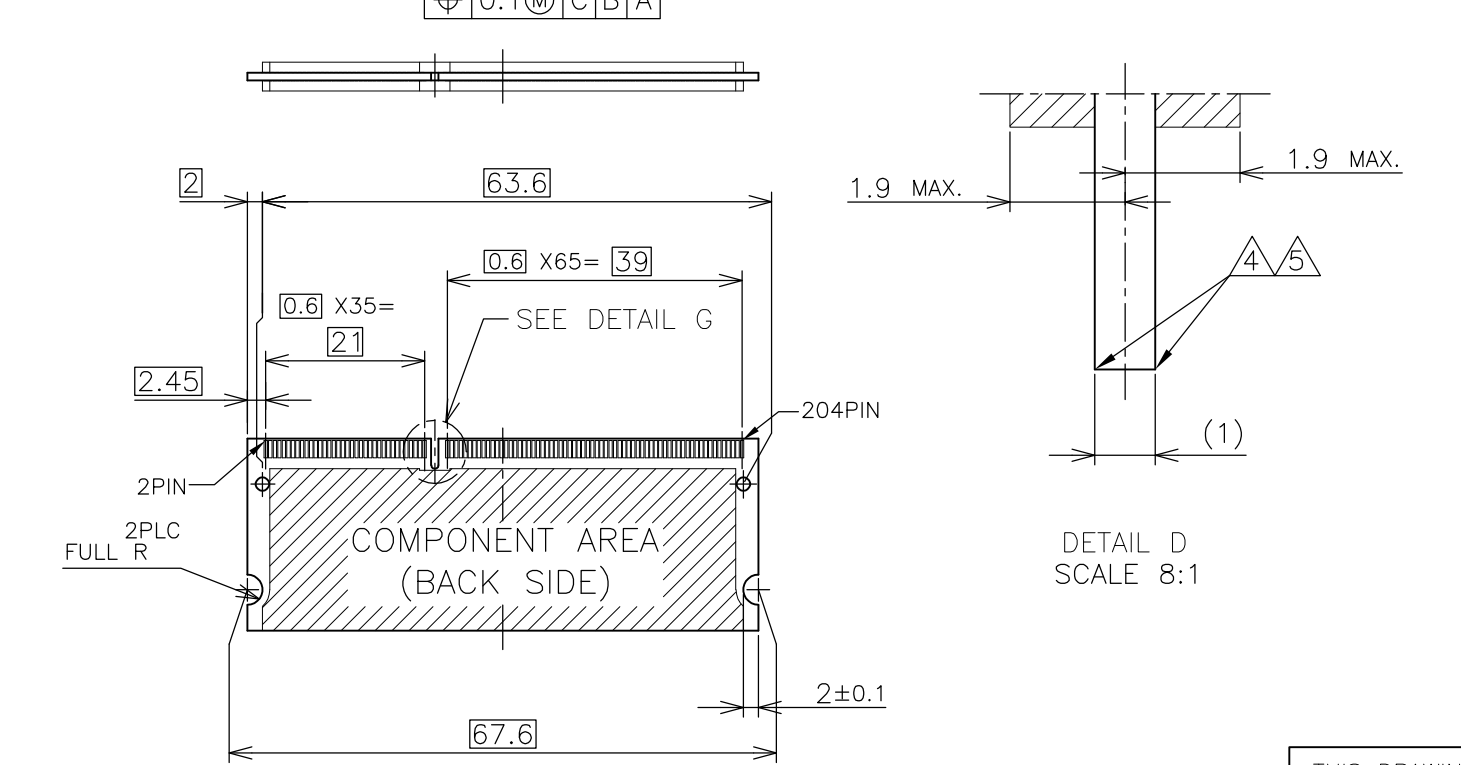
THIS DRAWING IS UNPUBLISHED. RELEASED FOR PUBLICATION SEP ,2007.
 © COPYRIGHT 2007 By - ALL RIGHTS RESERVED.

LOC		DIST		REVISIONS			
P	LTR	DESCRIPTION	DATE	DWN	APVD		
ES	/	-	SEE SHEET 1	-	-	-	

REFERENCE MATING P.C.B CONFIGURATION



- (APPLIED TO SHEET 3)
1. TOLERANCES ON ALL DIMENSIONS ±0.15 UNLESS OTHERWISE SPECIFIED.
 2. P.C. BOARD THICKNESS APPLIES ACROSS TABS AND INCLUDES PLATING AND/OR METALIZATION.
 3. FINISH OF PAD : GOLD PLATING 0.00076 MIN. OVER Ni PLATING 0.002MIN.
- ▲ NO BURR
 ▲ CHAMFER 0.25 MAX x 45° IF EXIST.

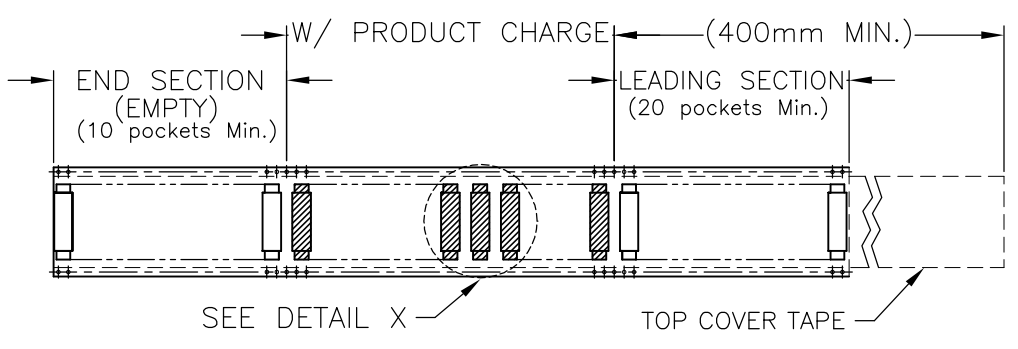
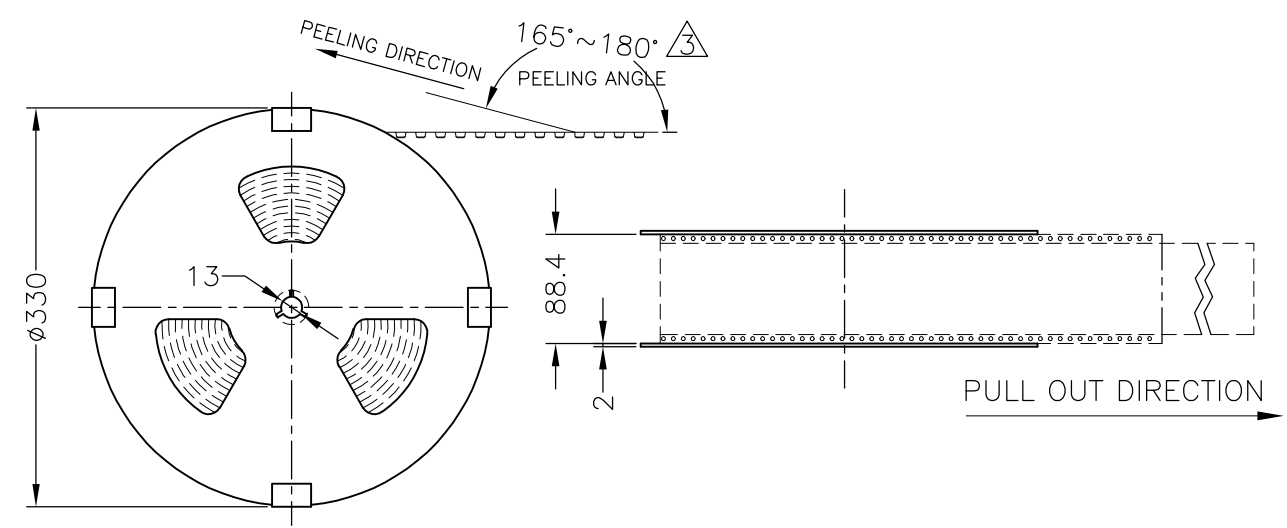


30	CA
31.75	BA
25.4	AA
H	SDRAM VARIATIONS

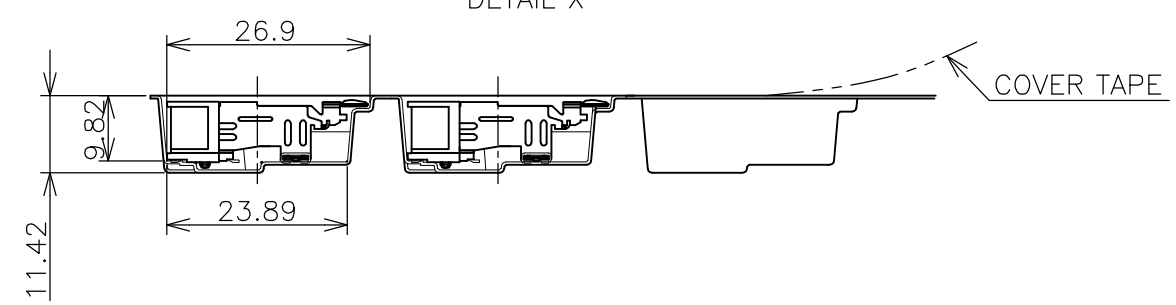
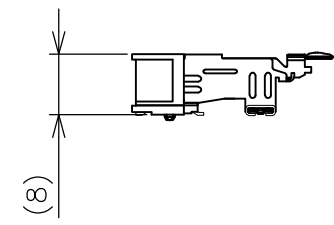
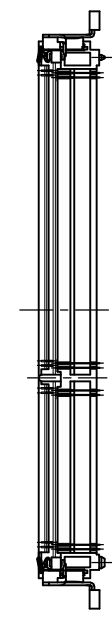
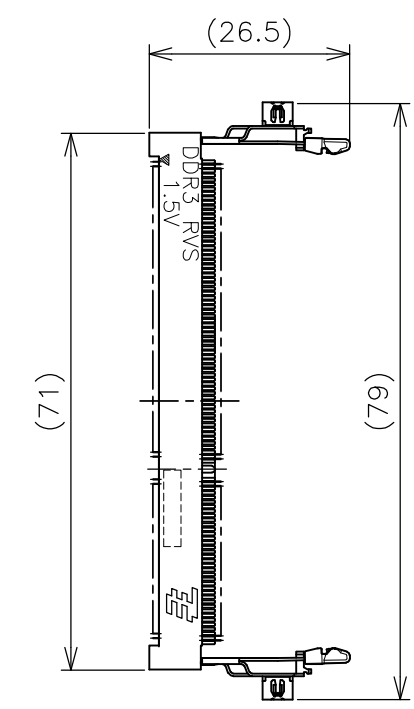
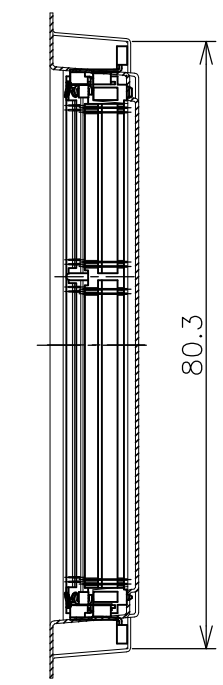
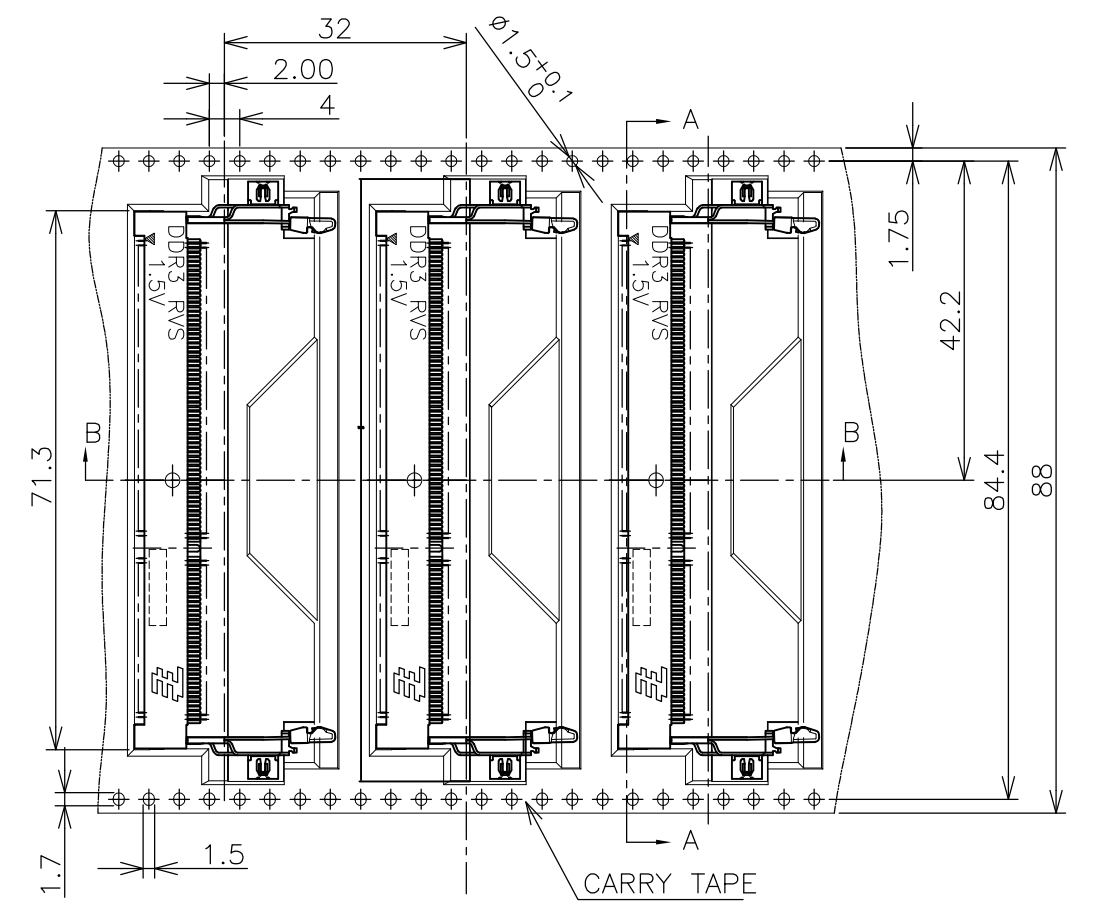
THIS DRAWING IS A CONTROLLED DOCUMENT.		DWN		TE Connectivity DDR3 SODIMM SOCKET 0.6mm PITCH 204POS 8.0mm HEIGHT REVERSE TYPE	
DIMENSIONS: MM		CHK			
TOLERANCES UNLESS OTHERWISE SPECIFIED:		APVD			
0 PLC ± 1 PLC ± 2 PLC ± 3 PLC ± 4 PLC ± ANGLES ± FINISH ±		NAME			
MATERIAL		PRODUCT SPEC		SIZE CAGE CODE DRAWING NO RESTRICTED TO	
		APPLICATION SPEC		A3 00779 C-1932323	
		WEIGHT		SCALE 2:1 SHEET 3 OF 4 REV B	
CUSTOMER DRAWING					

THIS DRAWING IS UNPUBLISHED. RELEASED FOR PUBLICATION SEP ,2007.
 © COPYRIGHT 2007 By - ALL RIGHTS RESERVED.

LOC		DIST		REVISIONS			
ES	/	P	LTR	DESCRIPTION	DATE	DWN	APVD
		-		SEE SHEET 1	-	-	-



- (APPLIED TO SHEET 4)
1. THE DIRECTION OF EACH CONNECTOR ON A EMBOSS IS REFERRED TO THIS DRAWING.
 2. GENERAL TOLERANCE: ± 0.5 , $\pm 3^\circ$
 3. THE MATERIAL OF REEL PALLET: PLASTIC/PAPER.



150EA	2-1932323-2
150EA	2-1932323-1
QTY/REEL	PART NO.

THIS DRAWING IS A CONTROLLED DOCUMENT.		DWN	TE Connectivity NAME DDR3 SODIMM SOCKET 0.6mm PITCH 204POS 8.0mm HEIGHT REVERSE TYPE				
DIMENSIONS: MM		CHK					
TOLERANCES UNLESS OTHERWISE SPECIFIED:		APVD					
0 PLC ± 0.5 1 PLC ± 0.5 2 PLC ± 0.5 3 PLC ± 0.5 4 PLC ± 0.5 ANGLES $\pm 3^\circ$		PRODUCT SPEC					
MATERIAL		FINISH	APPLICATION SPEC	SIZE	CAGE CODE	DRAWING NO	RESTRICTED TO
			WEIGHT	A3	00779	C-1932323	-
CUSTOMER DRAWING				SCALE	1:2	SHEET	4 OF 4
						REV	B