



Chipsmall Limited consists of a professional team with an average of over 10 year of expertise in the distribution of electronic components. Based in Hongkong, we have already established firm and mutual-benefit business relationships with customers from,Europe,America and south Asia,supplying obsolete and hard-to-find components to meet their specific needs.

With the principle of “Quality Parts,Customers Priority,Honest Operation,and Considerate Service”,our business mainly focus on the distribution of electronic components. Line cards we deal with include Microchip,ALPS,ROHM,Xilinx,Pulse,ON,Everlight and Freescale. Main products comprise IC,Modules,Potentiometer,IC Socket,Relay,Connector.Our parts cover such applications as commercial,industrial, and automotives areas.

We are looking forward to setting up business relationship with you and hope to provide you with the best service and solution. Let us make a better world for our industry!



## Contact us

Tel: +86-755-8981 8866 Fax: +86-755-8427 6832

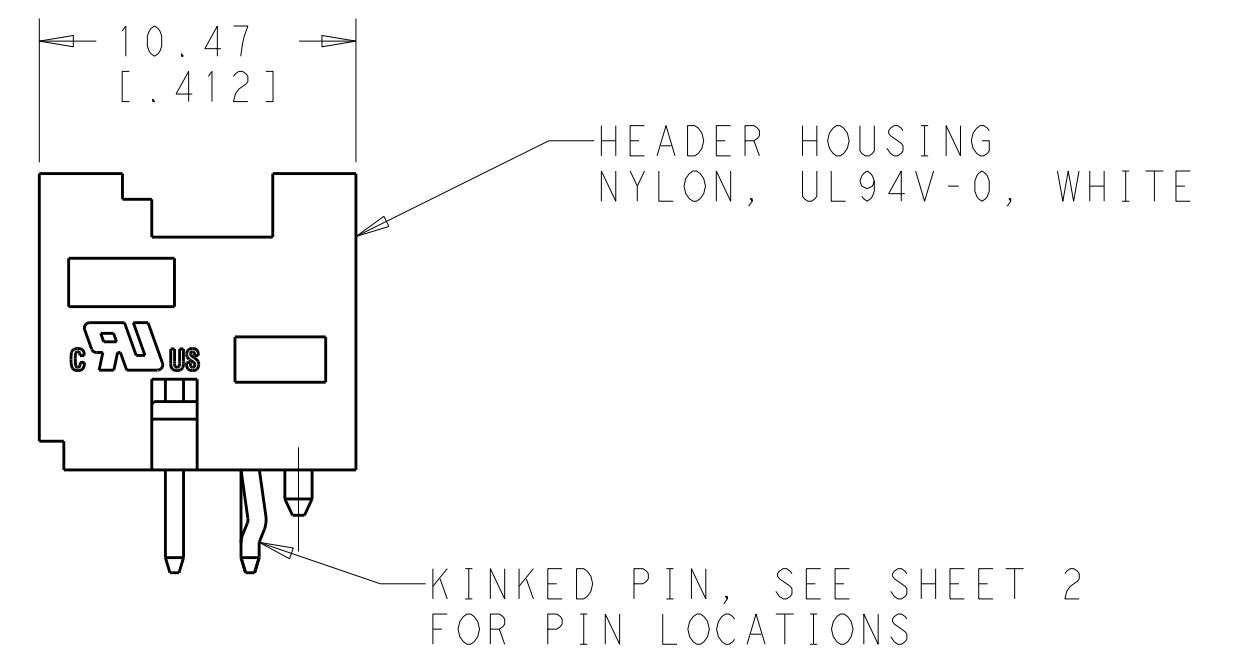
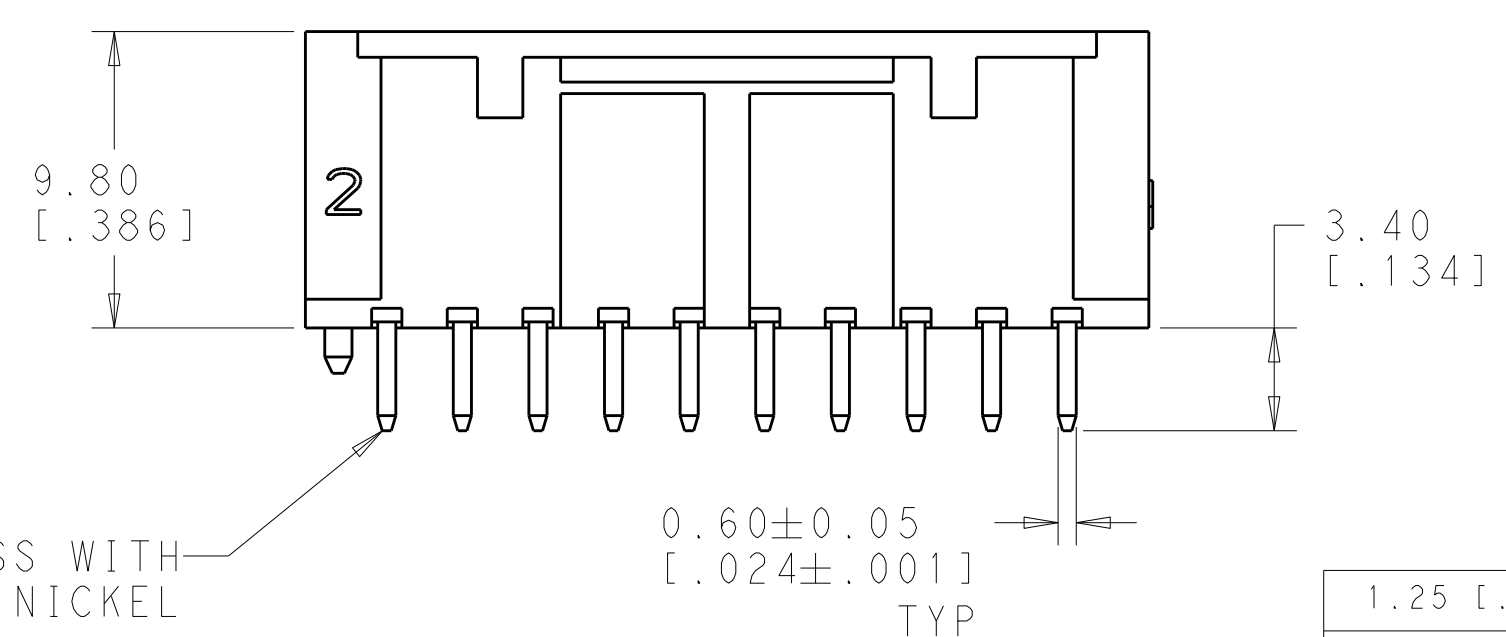
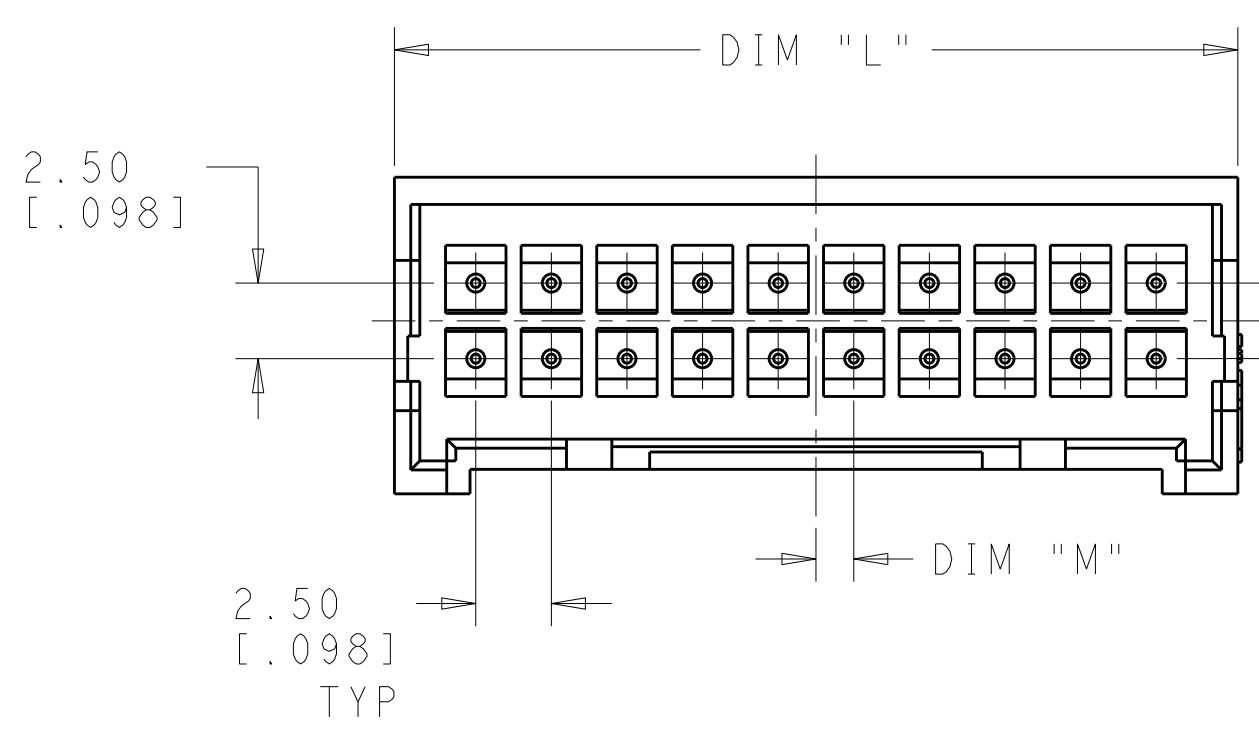
Email & Skype: info@chipsmall.com Web: www.chipsmall.com

Address: A1208, Overseas Decoration Building, #122 Zhenhua RD., Futian, Shenzhen, China

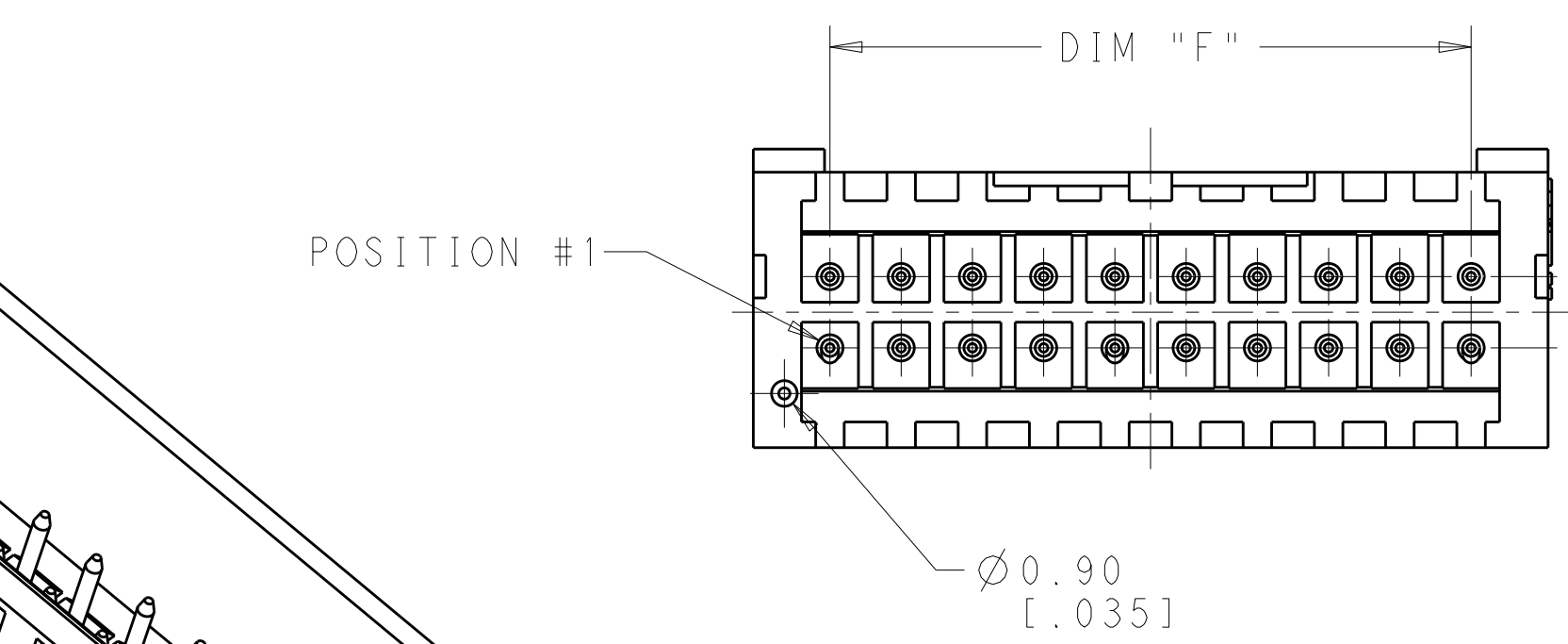


THIS DRAWING IS UNPUBLISHED. RELEASED FOR PUBLICATION 20  
 © COPYRIGHT 20 BY - ALL RIGHTS RESERVED.

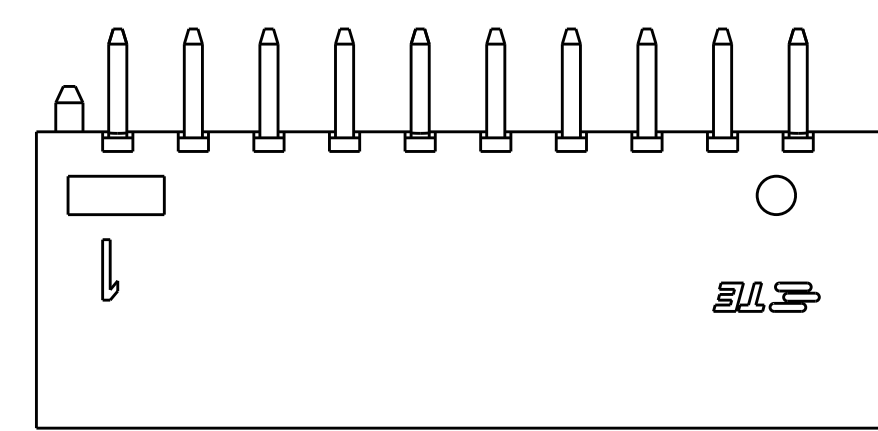
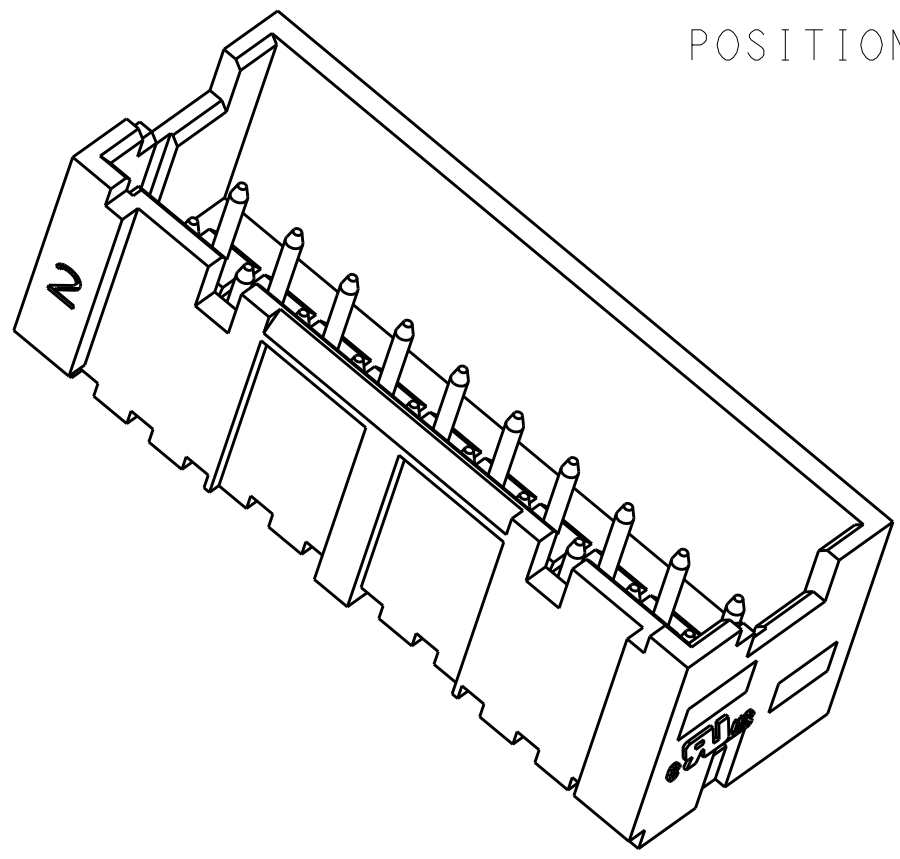
REVISIONS					
P	LTR	DESCRIPTION	DATE	DWN	APVD
B		REVISED PER ECR-16-008945	21NOV2016	BW	RS



- PARTS TESTED TO IEC 60695-2-11 AND COMPLIANT TO IEC 60335-1
- HOUSING MATERIAL MEETS MINIMUM GLOW WIRE FLAMMIBILITY INDEX OF 850°C PER IEC 60695-2-12 AND MINIMUM GLOW WIRE IGNITION TEMP OF 775°C PER IEC 60695-2-13.



1.25 [.049]	2	47.50 [1.870]	52.89 [2.083]	40	4-1969570-0
0.00	2	45.00 [1.772]	50.39 [1.985]	38	3-1969570-8
1.25 [.049]	2	42.50 [1.673]	47.89 [1.886]	36	3-1969570-6
0.00	2	40.00 [1.575]	45.39 [1.788]	34	3-1969570-4
1.25 [.049]	2	37.50 [1.477]	42.89 [1.689]	32	3-1969570-2
0.00	2	35.00 [1.378]	40.39 [1.591]	30	3-1969570-0
1.25 [.049]	2	32.50 [1.280]	37.89 [1.492]	28	2-1969570-8
0.00	2	30.00 [1.181]	35.39 [1.394]	26	2-1969570-6
1.25 [.049]	2	27.50 [1.083]	32.89 [1.295]	24	2-1969570-4
0.00	2	25.00 [.984]	30.39 [1.197]	22	2-1969570-2
1.25 [.049]	2	22.50 [.886]	27.89 [1.098]	20	2-1969570-0
0.00	2	20.00 [.787]	25.39 [1.000]	18	1-1969570-8
1.25 [.049]	1	17.50 [.689]	22.89 [.901]	16	1-1969570-6
0.00	1	15.00 [.590]	20.39 [.803]	14	1-1969570-4
1.25 [.049]	1	12.50 [.492]	17.89 [.704]	12	1-1969570-2
0.00	1	10.00 [.394]	15.39 [.606]	10	1-1969570-0
1.25 [.049]	1	7.50 [.295]	12.89 [.507]	8	1969570-8
DIM "M"	NO. OF LATCH CUT-OUTS	DIM "F"	DIM "L"	NO. OF POSITIONS	PART NO.



THIS DRAWING IS A CONTROLLED DOCUMENT. DWN JR RUTH 02OCT12  
 CHK KURT RANDOLPH 02OCT12  
 APVD SAM MACE 02OCT12

**STE** TE Connectivity

NAME ASSEMBLY, PIN HEADER, EP 2.5, DUAL ROW, GLOW WIRE

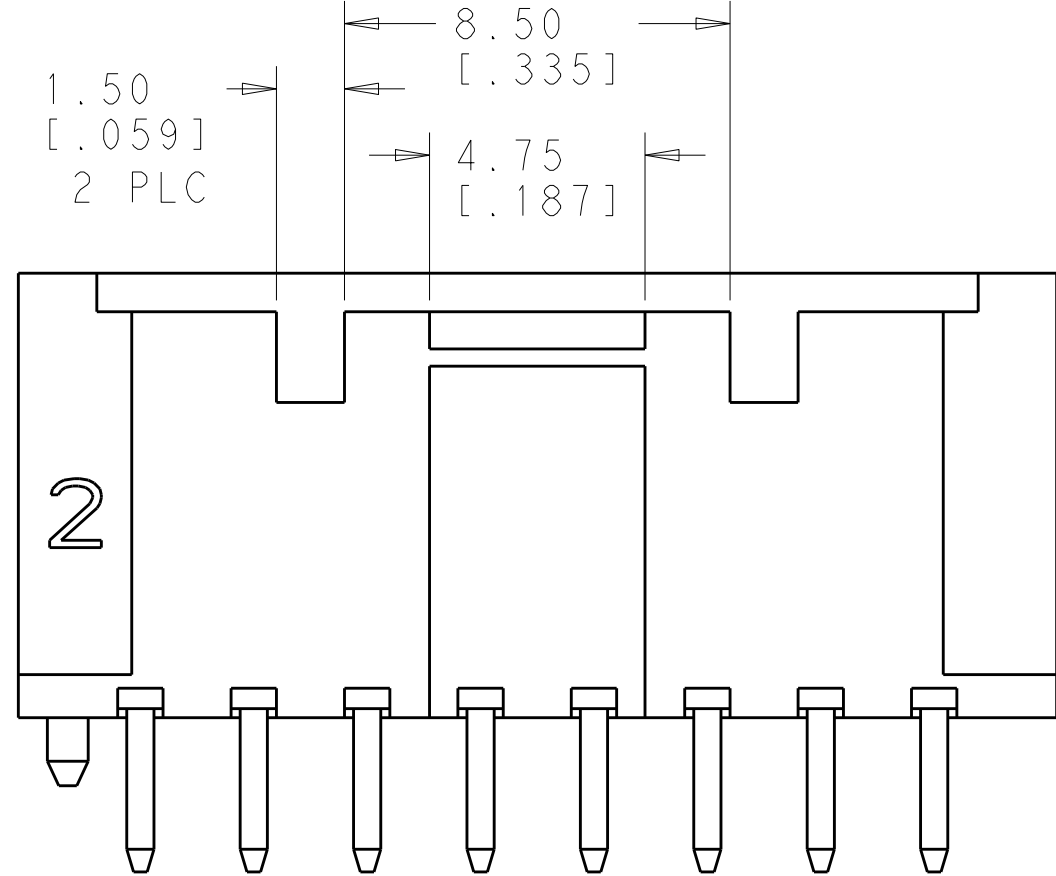
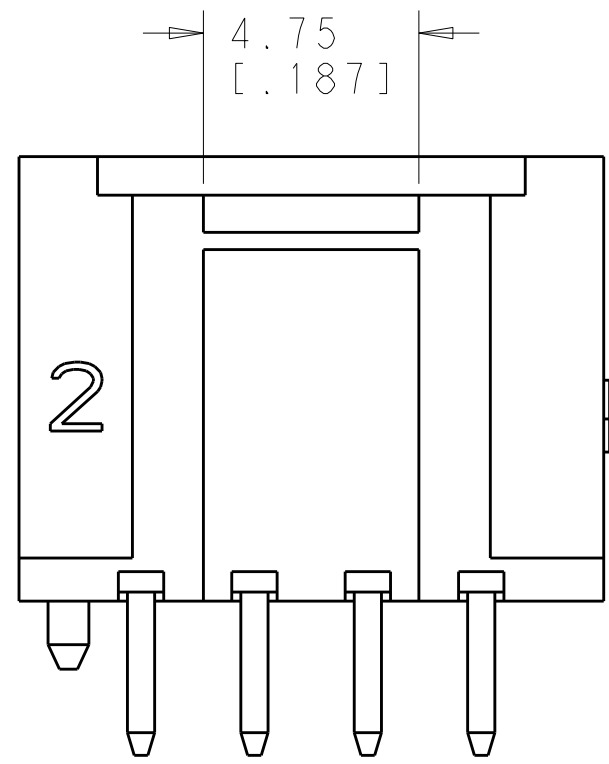
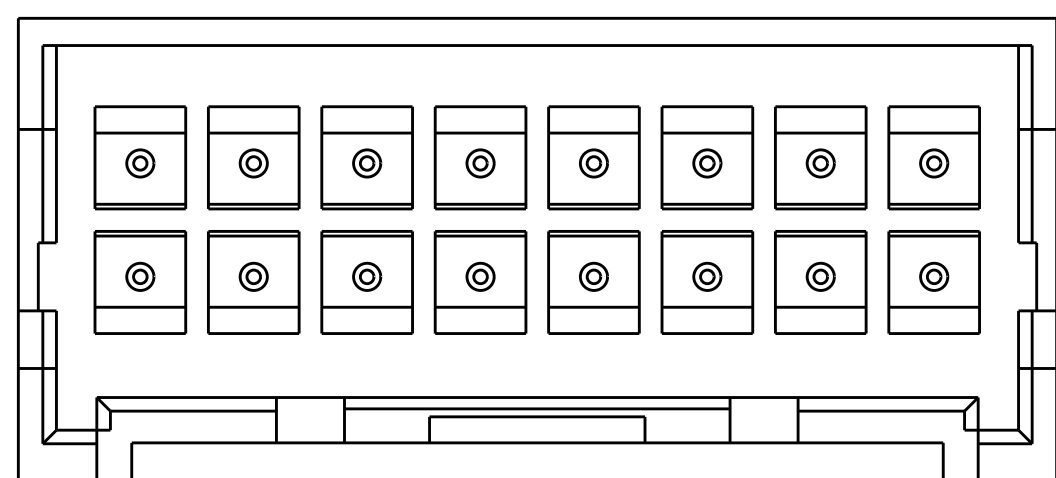
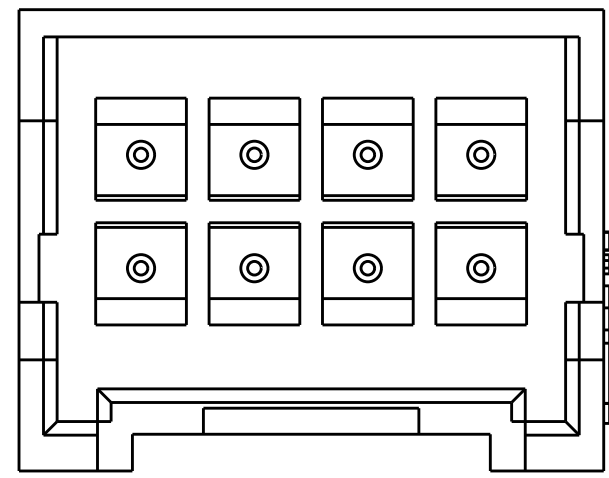
PRODUCT SPEC 108-2418  
 APPLICATION SPEC 114-13315

SIZE A2 CAGE CODE 00779 DRAWING NO. C-1969570 RESTRICTED TO -  
 SCALE 4:1 SHEET 1 OF 2 REV B

SEE NOTES SEE NOTES Customer Drawing

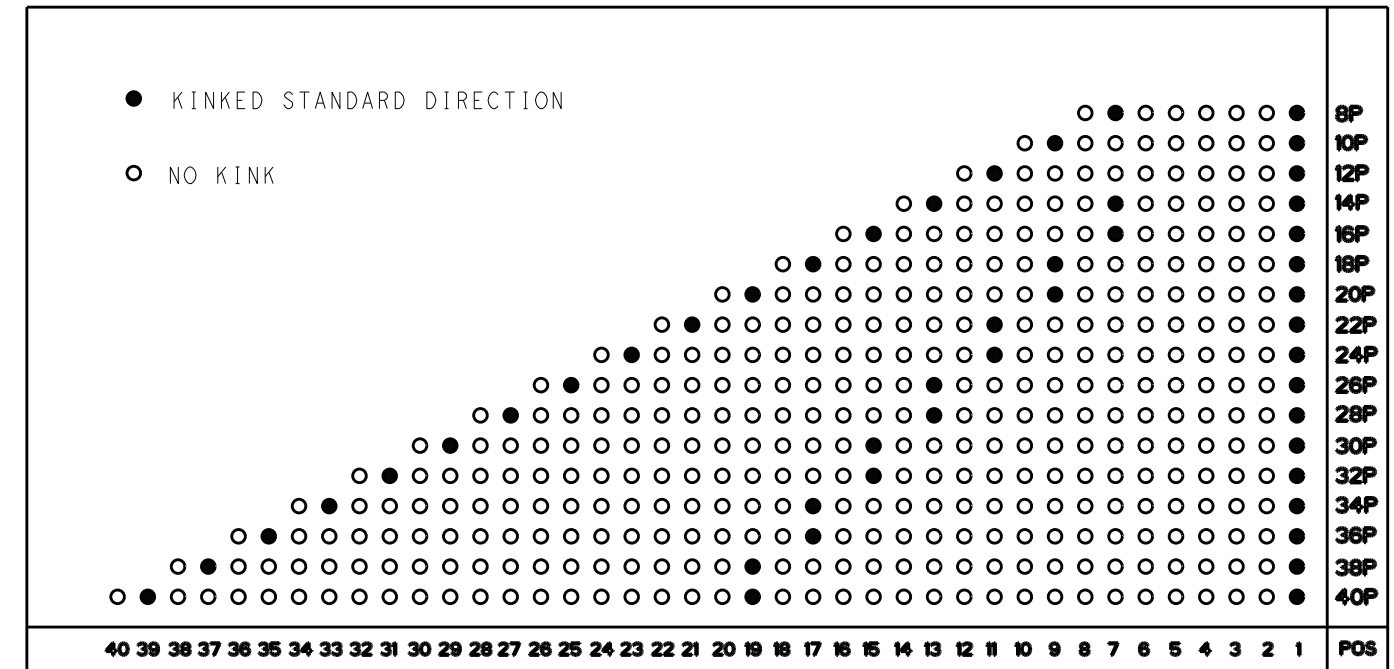
THIS DRAWING IS UNPUBLISHED. RELEASED FOR PUBLICATION 20  
 © COPYRIGHT 20 BY - ALL RIGHTS RESERVED.

LOC	DIST	REVISIONS			
P	LTR	DESCRIPTION	DATE	DWN	APVD
AF	50	-	SEE SHEET 1	-	-

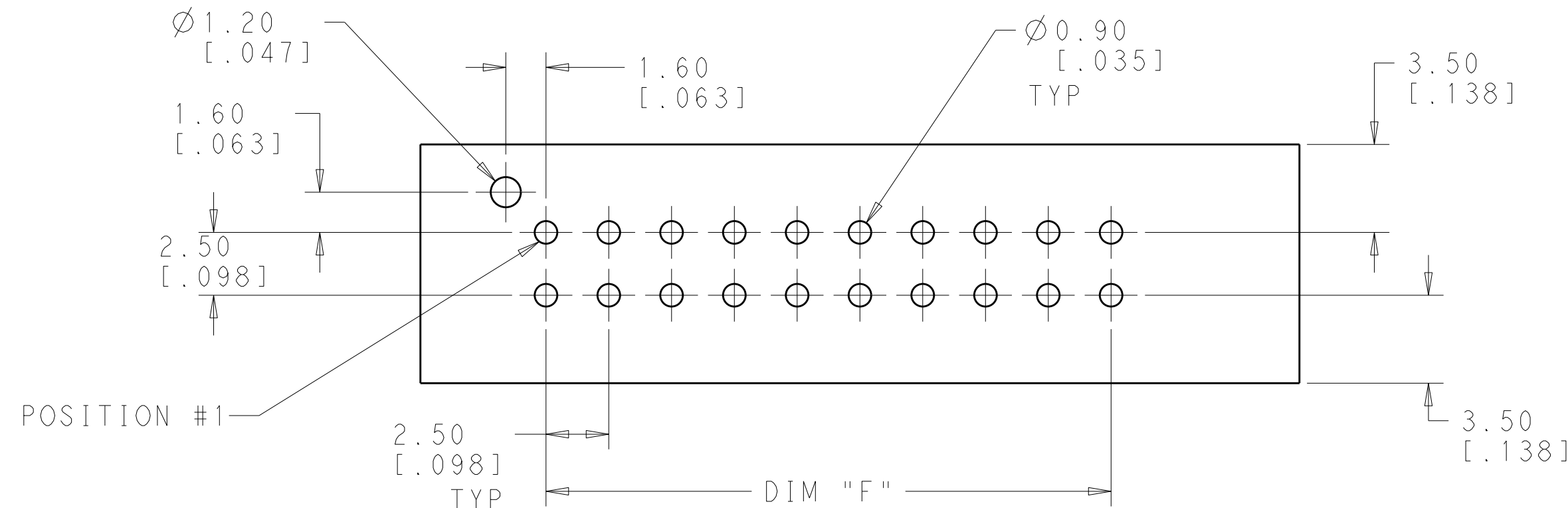


SINGLE LATCH DETAIL  
 1969570-8 SHOWN HERE  
 THESE DIM'S ARE FOR THE  
 1969570-8 AND 1-1969570-0

SINGLE LATCH DETAIL  
 1-1969570-6 SHOWN ON HERE  
 THESE DIM'S ARE FOR THE  
 1-1969570-2 THRU -16



KINKED PIN CHART



RECOMMENDED PCB LAYOUT

THIS DRAWING IS A CONTROLLED DOCUMENT.		DWN JR RUTH 02OCT12	TE Connectivity	
DIMENSIONS: mm [INCHES]		CHK KURT RANDOLPH 02OCT12		
TOLERANCES UNLESS OTHERWISE SPECIFIED:		APVD SAM MACF 02OCT12	NAME ASSEMBLY, PIN HEADER, EP 2.5, DUAL ROW, GLOW WIRE	
0 PLC ±	1 PLC ±	PRODUCT SPEC 108-2418	SIZE CAGE CODE DRAWING NO	
2 PLC ±0.25 [.010]	3 PLC ±	APPLICATION SPEC 114-13315	RESTRICTED TO	
4 PLC ±	ANGLES ±	WEIGHT -	A200779C-1969570	
FINISH		Customer Drawing	SCALE 4:1 SHEET 2 OF 2 REV B	
SEE NOTES		SEE NOTES		