



Chipsmall Limited consists of a professional team with an average of over 10 year of expertise in the distribution of electronic components. Based in Hongkong, we have already established firm and mutual-benefit business relationships with customers from,Europe,America and south Asia,supplying obsolete and hard-to-find components to meet their specific needs.

With the principle of “Quality Parts,Customers Priority,Honest Operation,and Considerate Service”,our business mainly focus on the distribution of electronic components. Line cards we deal with include Microchip,ALPS,ROHM,Xilinx,Pulse,ON,Everlight and Freescale. Main products comprise IC,Modules,Potentiometer,IC Socket,Relay,Connector.Our parts cover such applications as commercial,industrial, and automotives areas.

We are looking forward to setting up business relationship with you and hope to provide you with the best service and solution. Let us make a better world for our industry!



Contact us

Tel: +86-755-8981 8866 Fax: +86-755-8427 6832

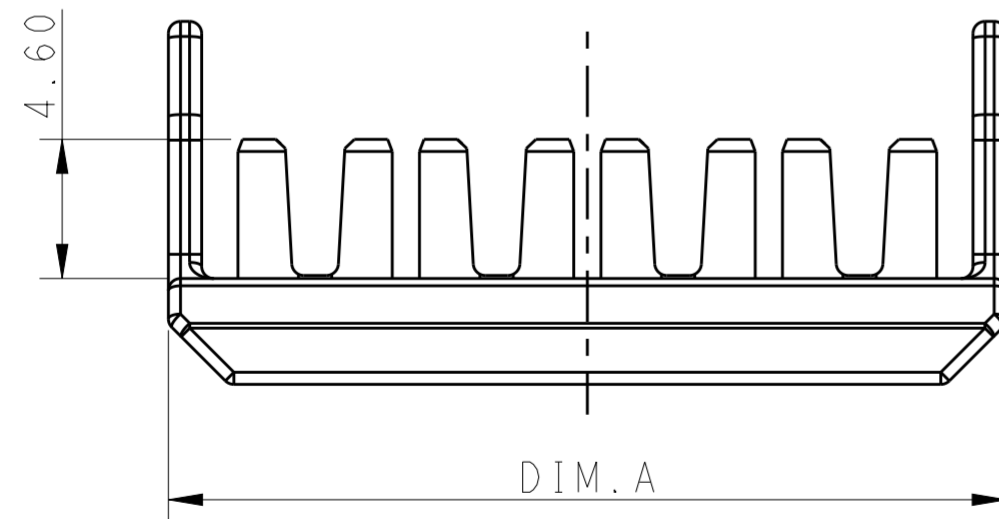
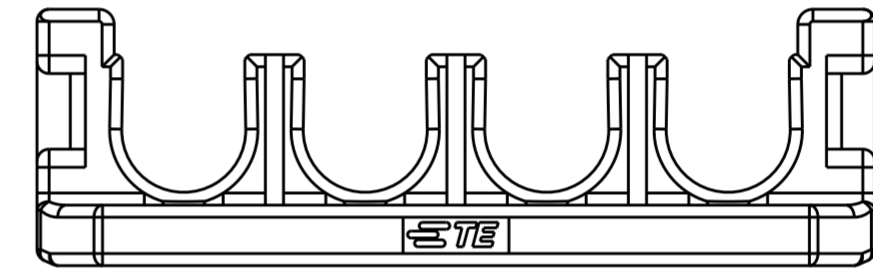
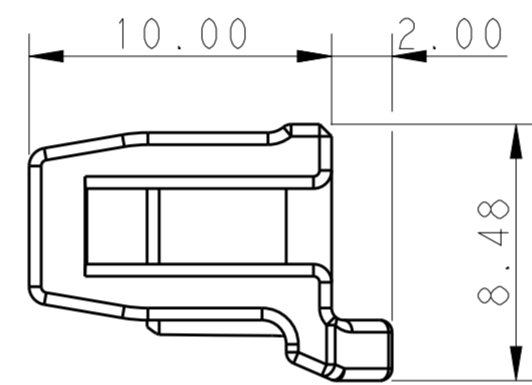
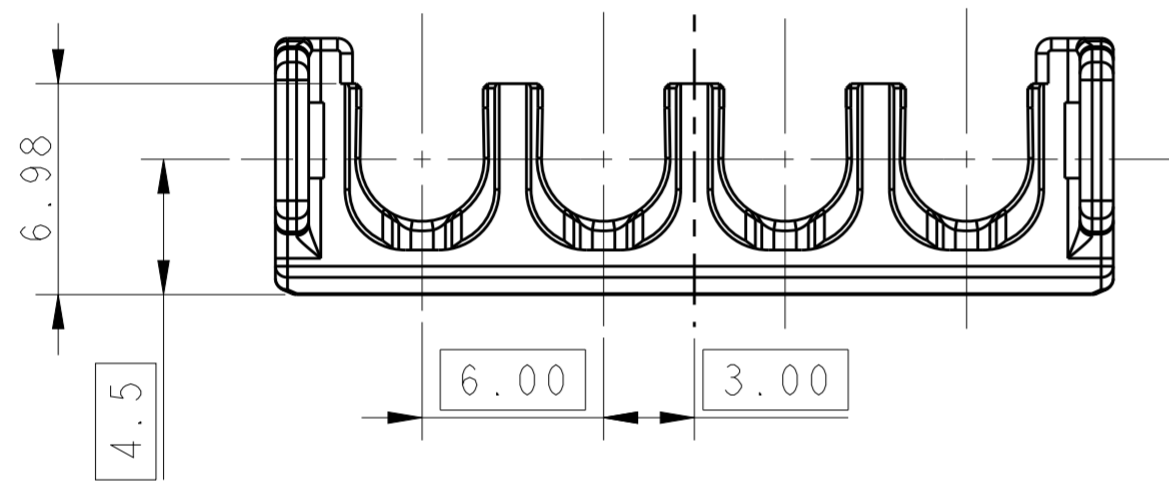
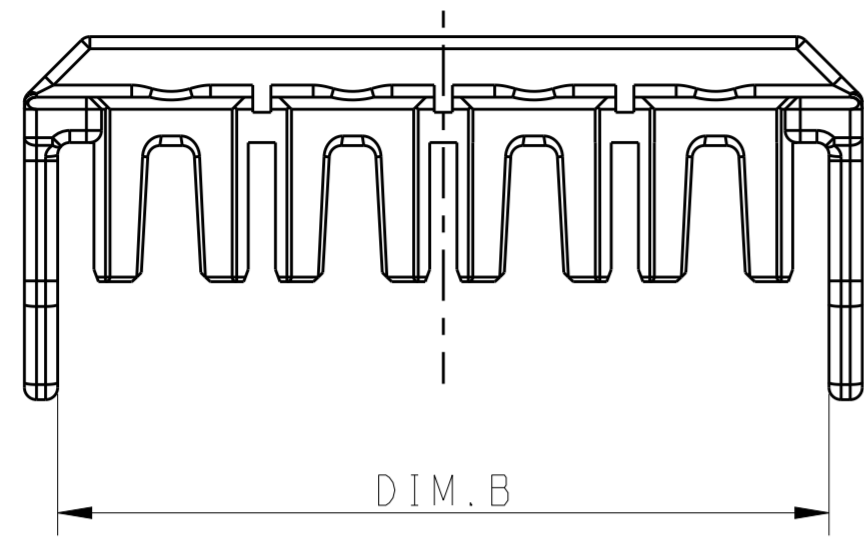
Email & Skype: info@chipsmall.com Web: www.chipsmall.com

Address: A1208, Overseas Decoration Building, #122 Zhenhua RD., Futian, Shenzhen, China



THIS DRAWING IS UNPUBLISHED. RELEASED FOR PUBLICATION 20
 © COPYRIGHT 20 BY - ALL RIGHTS RESERVED.

LOC		DIST		REVISIONS			
P	LTR	DESCRIPTION	DATE	DWN	APVD		
	A	RELEASE DRAWING	04FEB2013	T.W	YH.M		
	A1	ECR-13-005295	11APR2013	T.W	YH.M		
	B	ECR-13-017737	13NOV2013	M.T	D.Z		



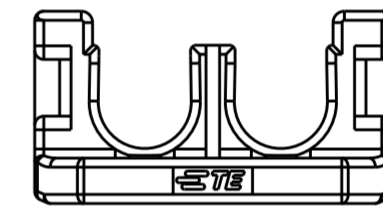
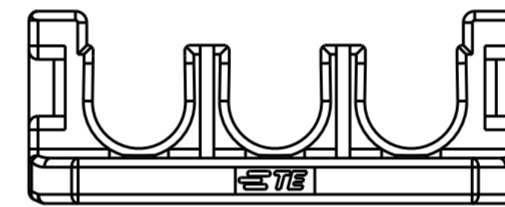
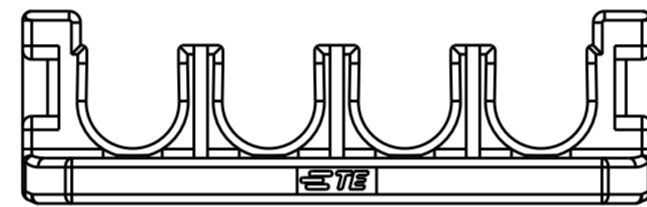
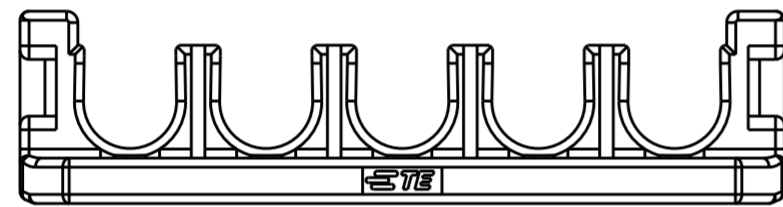
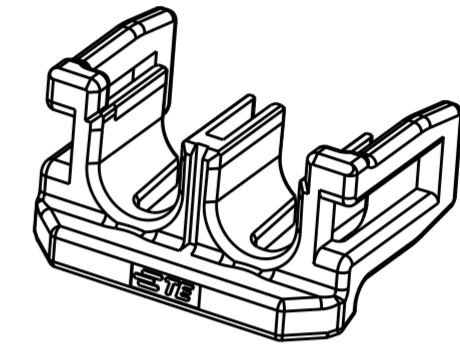
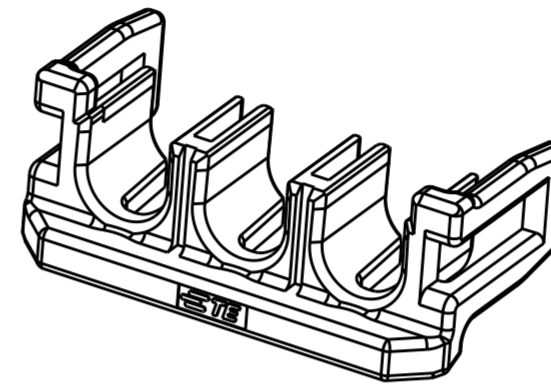
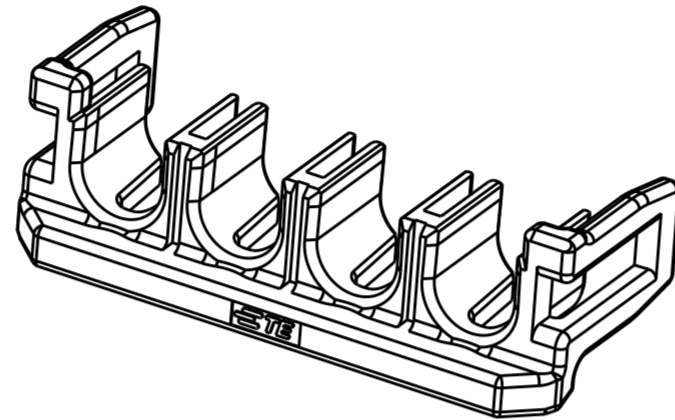
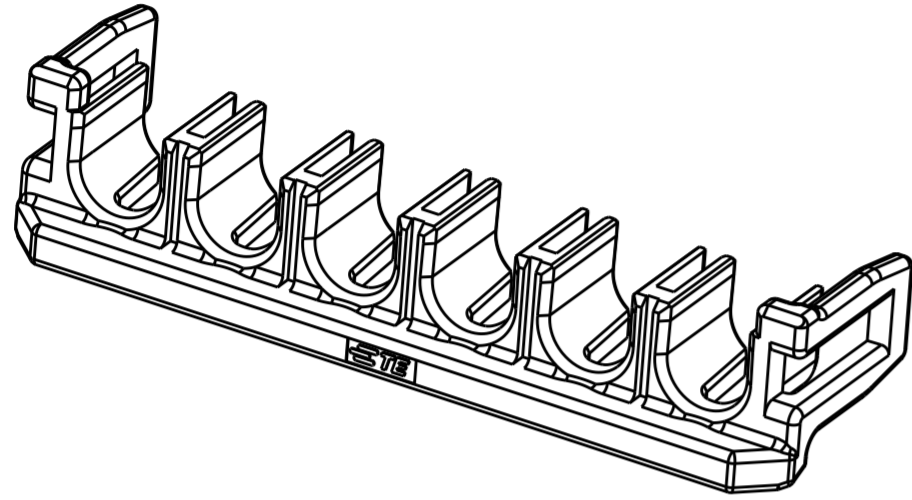
- NOTE
- ① HIGH TEMP VERSIONS ARE RATED 150°C MAX AND ARE RECOMMENDED FOR USE WITH STANDARE TEMP, HIGH TEMP AND GLOW WIRE RATED HOUSINGS.
 - ② HOT WIRE IGNITION(HWI) VERSIONS ARE MOLDED IN A RESIN THAT COMPLIES WITH TE NOT WIRE IGNITION TEST 109-32026 AND ARE RECOMMENDED FOR USE WITH HWI HOUSINGS THAT ALSO COMPLY.
 - 3. MATING CONN, P/N
 CAP HSG: *-1971*7*-*/*-22322***-*/*-22323***-
 PLUG HSG: *-1971*7*-*/*-22322***-*/*-22323***-*
 - 4. PRODUCT SPEC: 108-106118
 - 5. APPLICATION SPEC: 114-106118
 - 6. FLAMMABILITY RATING: UL94V-0
 - ⑦ PRE-PRODUCTION-FASR REQUIRED

POS.	DIM. A	DIM. B
1*5	33.70	31.5
1*4	27.70	25.5
1*3	21.70	19.5
1*2	15.70	13.5

THIS DRAWING IS A CONTROLLED DOCUMENT.		DWN TOMMY WU 09JUL2012	STE TE Connectivity	
		CHK HAPYE WU 09JUL2012		
DIMENSIONS: mm		APVD YUHONG MAO 09JUL2012	NAME DOUBLE LOCK PLATE, SINGLE ROW POWER TRIPLE LOCK	
TOLERANCES UNLESS OTHERWISE SPECIFIED:		PRODUCT SPEC 108-106118	RESTRICTED TO -	
0 PLC ±		APPLICATION SPEC 114-106118	SIZE A200779	DRAWING NO C-1971777
1 PLC ±0.35		WEIGHT -	SCALE - SHEET 1 OF 2 REV B	
2 PLC ±0.25		MATERIAL -		
3 PLC ±		SEE TABLE		
4 PLC ±		Customer Drawing		
ANGLES ±				
FINISH ±				

THIS DRAWING IS UNPUBLISHED. RELEASED FOR PUBLICATION 20
 © COPYRIGHT 20 BY - ALL RIGHTS RESERVED.

LOC		DIST		REVISIONS			
P	LTR	DESCRIPTION	DATE	DWN	APVD		
-	-	SEE SHEET 1	-	-	-		



1*5 POSITIONS

1*4 POSITIONS

1*3 POSITIONS

1*2 POSITIONS

BLACK	PBT GF	HWI	2	1*2	3-1971777-27
NATURAL	PBT GF	HWI	2	1*5	2-1971777-57
NATURAL	PBT GF	HWI	2	1*4	2-1971777-47
NATURAL	PBT GF	HWI	2	1*3	2-1971777-3
NATURAL	PBT GF	HWI	2	1*2	2-1971777-2
BLACK	NYLON	HIGH TEMP	1	1*5	1971777-5
BLACK	NYLON	HIGH TEMP	1	1*4	1971777-4
BLACK	NYLON	HIGH TEMP	1	1*3	1971777-3
BLACK	NYLON	HIGH TEMP	1	1*2	1971777-2
COLOR	MATERIAL	TYPE	1	POSITIONS	P/N

THIS DRAWING IS A CONTROLLED DOCUMENT.		DWN TOMMY WU 09JUL2012	TE Connectivity	
DIMENSIONS: mm		CHK HAPYE WU 09JUL2012		
TOLERANCES UNLESS OTHERWISE SPECIFIED:		APVD YUHONG MAO 09JUL2012	NAME DOUBLE LOCK PLATE, SINGLE ROW POWER TRIPLE LOCK	
0 PLC ± - 1 PLC ± 0.35 2 PLC ± 0.25 3 PLC ± - 4 PLC ± - ANGLES ± - FINISH ± -		PRODUCT SPEC 108-106118	RESTRICTED TO	
MATERIAL SEE TABLE		APPLICATION SPEC 114-106118	SIZE A2	CAGE CODE 00779
		WEIGHT -	DRAWING NO G-1971777	REV B
		Customer Drawing	SCALE -	SHEET 2 OF 2