



Chipsmall Limited consists of a professional team with an average of over 10 year of expertise in the distribution of electronic components. Based in Hongkong, we have already established firm and mutual-benefit business relationships with customers from,Europe,America and south Asia,supplying obsolete and hard-to-find components to meet their specific needs.

With the principle of “Quality Parts,Customers Priority,Honest Operation,and Considerate Service”,our business mainly focus on the distribution of electronic components. Line cards we deal with include Microchip,ALPS,ROHM,Xilinx,Pulse,ON,Everlight and Freescale. Main products comprise IC,Modules,Potentiometer,IC Socket,Relay,Connector.Our parts cover such applications as commercial,industrial, and automotives areas.

We are looking forward to setting up business relationship with you and hope to provide you with the best service and solution. Let us make a better world for our industry!



Contact us

Tel: +86-755-8981 8866 Fax: +86-755-8427 6832

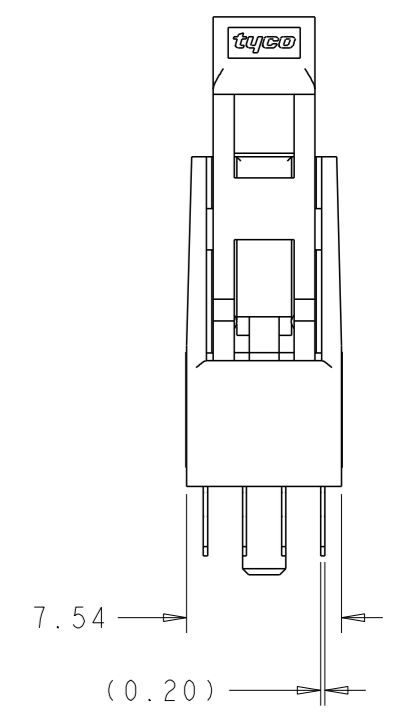
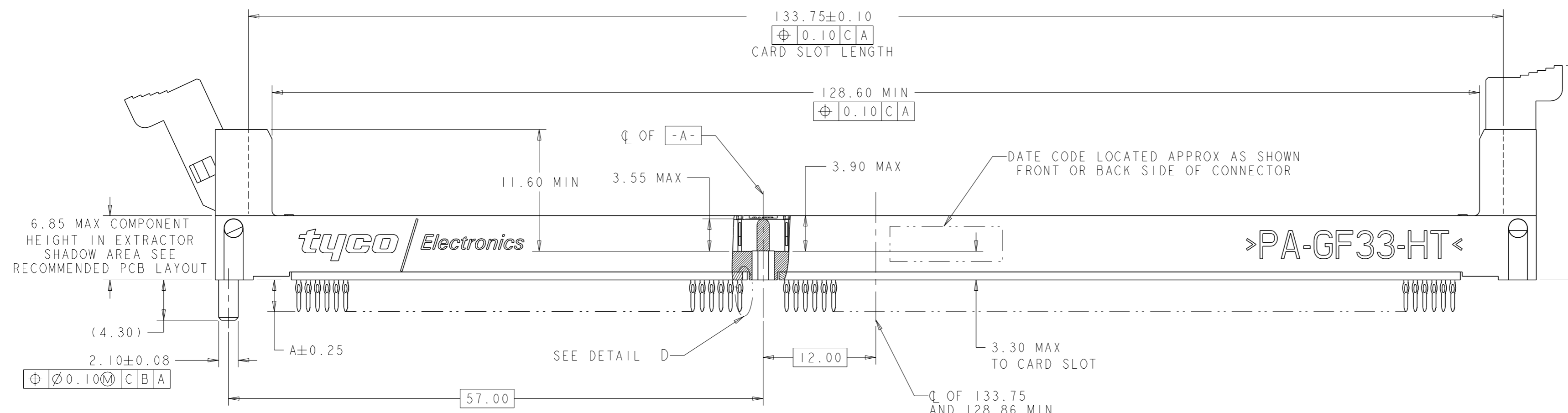
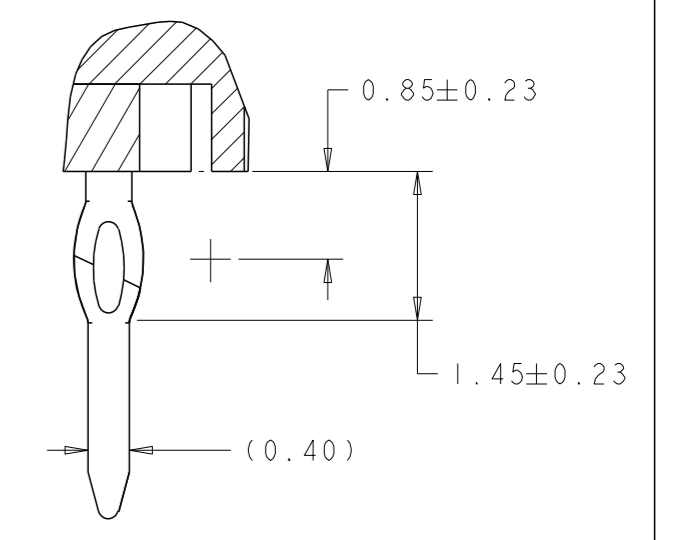
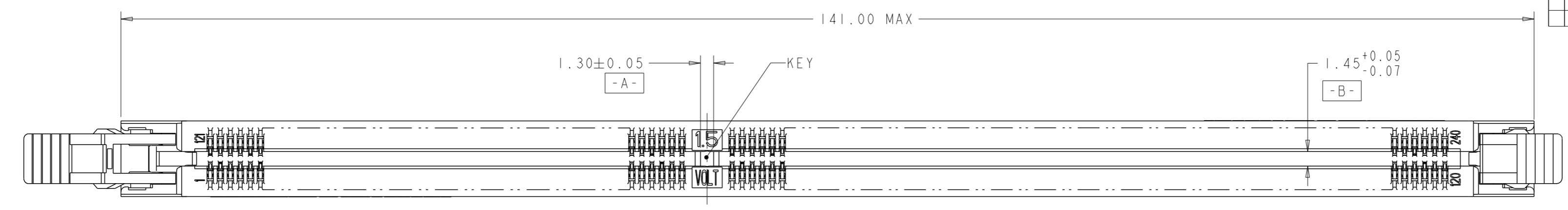
Email & Skype: info@chipsmall.com Web: www.chipsmall.com

Address: A1208, Overseas Decoration Building, #122 Zhenhua RD., Futian, Shenzhen, China

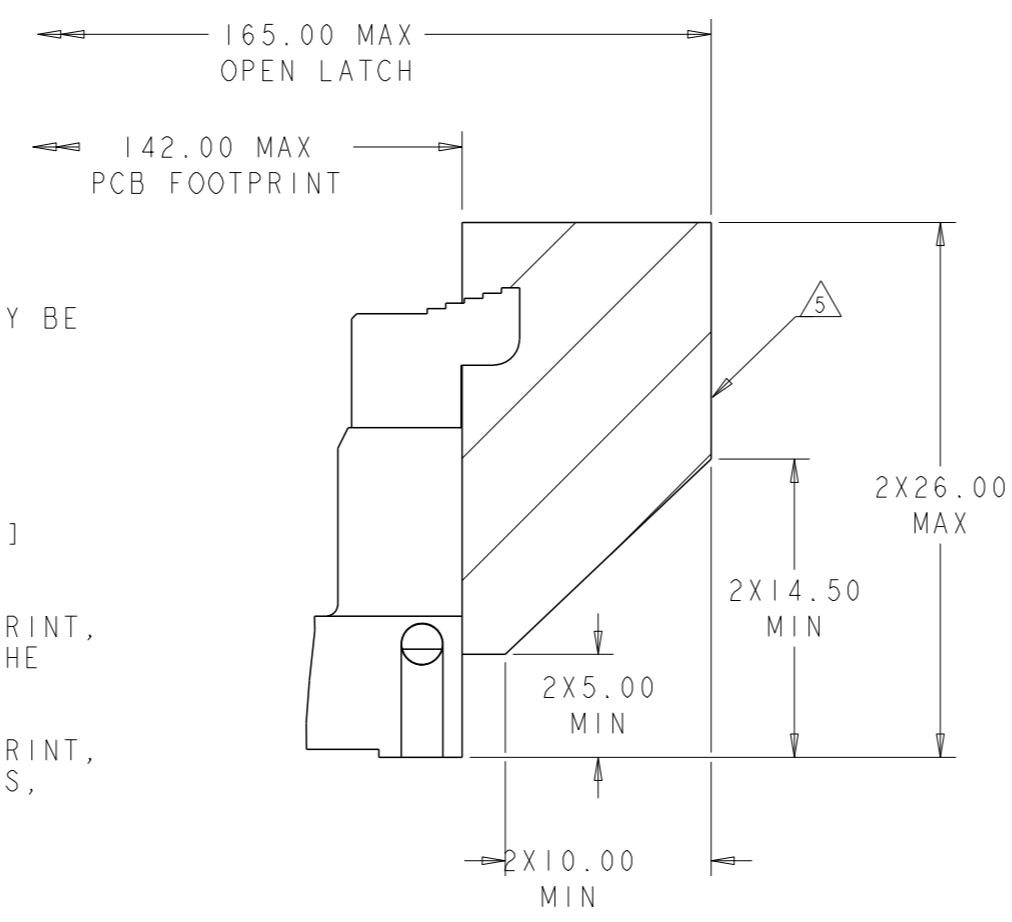


THIS DRAWING IS UNPUBLISHED. RELEASED FOR PUBLICATION 20
 BY - ALL RIGHTS RESERVED.

REVISONS		DATE	BY	APPD
E3	REVISED PER ECR-11-013889	7JUL2011	S.W	C.W
F	REVISED PER ECR-11-018341	5SEP2011	S.W	C.W



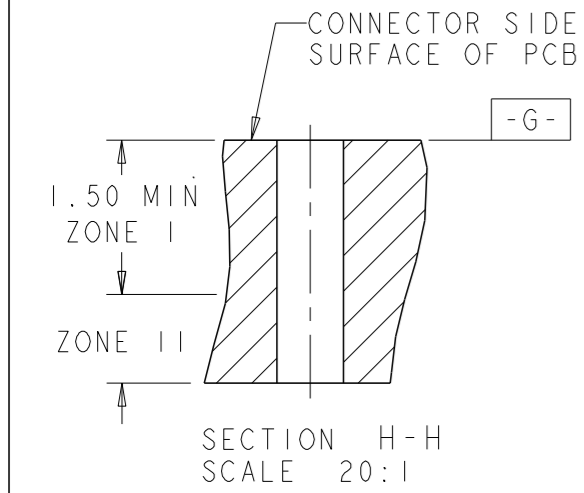
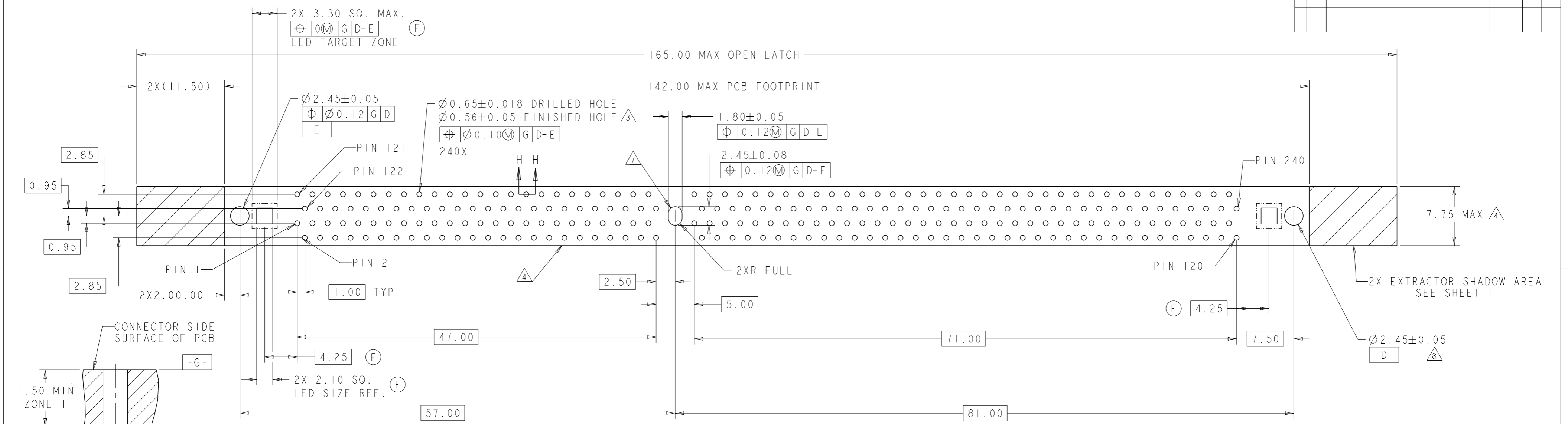
- 1 MATERIALS:
 HOUSING: HIGH TEMPERATURE, UL94 V-0
 EXTRACTOR: HIGH TEMPERATURE THERMOPLASTIC
 SUPPORT PLATE: LCP, UL94 V-0
- 2 INTERFACE FINISH:
 (1) 0.00076 MIN THK GOLD OVER 0.00127 MIN THK NICKEL
 (2) 0.00038 MIN THK GOLD OVER 0.00127 MIN THK NICKEL.
- 3 FINISHED HOLE SIZE 0.15 MAX ANNULAR RING.
 COPPER PLATING: 0.025-0.050
 TIN-LEAD PLATING: 0.0038-0.0124
 FOR PTH TIN-LEAD PLATING ONLY, FINISHED HOLE TOLERANCE MAY BE +0.05/-0.058 IN ZONE 1, AND ±0.076 IN ZONE II
- 4 KEEP OUT ZONE.
- 5 KEEP OUT AREA RESERVED FOR SOCKET EXTRACTORS, BOTH ENDS.
- 6 APPROXIMATE SEATING FORCE WILL BE 3781-5338N [850-1200 lb] FOR THE 240 POSITION SOCKET ASSEMBLY.
- 7 HOLE INDICATED IS PART OF THE STANDARD 240 POSITION FOOTPRINT, REQUIRED FOR THE SOLDER TAIL VERSION, MAY BE OMITTED FOR THE PRESS FIT VERSION.
- 8 HOLE INDICATED IS PART OF THE STANDARD 240 POSITION FOOTPRINT, REQUIRED FOR THE SOLDER TAIL AND 2 POSTS PRESS FIT VERSIONS, MAY BE OMITTED FOR 1 POST PRESS FIT VERSION
- 9 COMPLIANT PIN FINISH: 0.00254 MIN THICK MATTE TIN OVER 0.00127 MIN THICK NICKEL.
- 10 COMPLIANT PIN FINISH: 0.00254 MIN THICK TIN-LEAD OVER 0.00127 MIN THICK NICKEL.
- 11. FOR HANDLING PROCESS AT CUSTOMER'S LINE, PAY ATTENTION NOT TO TOUCH EVERY CONTACT TIPS.
- 12 LOWER RESISTANCE TYPE



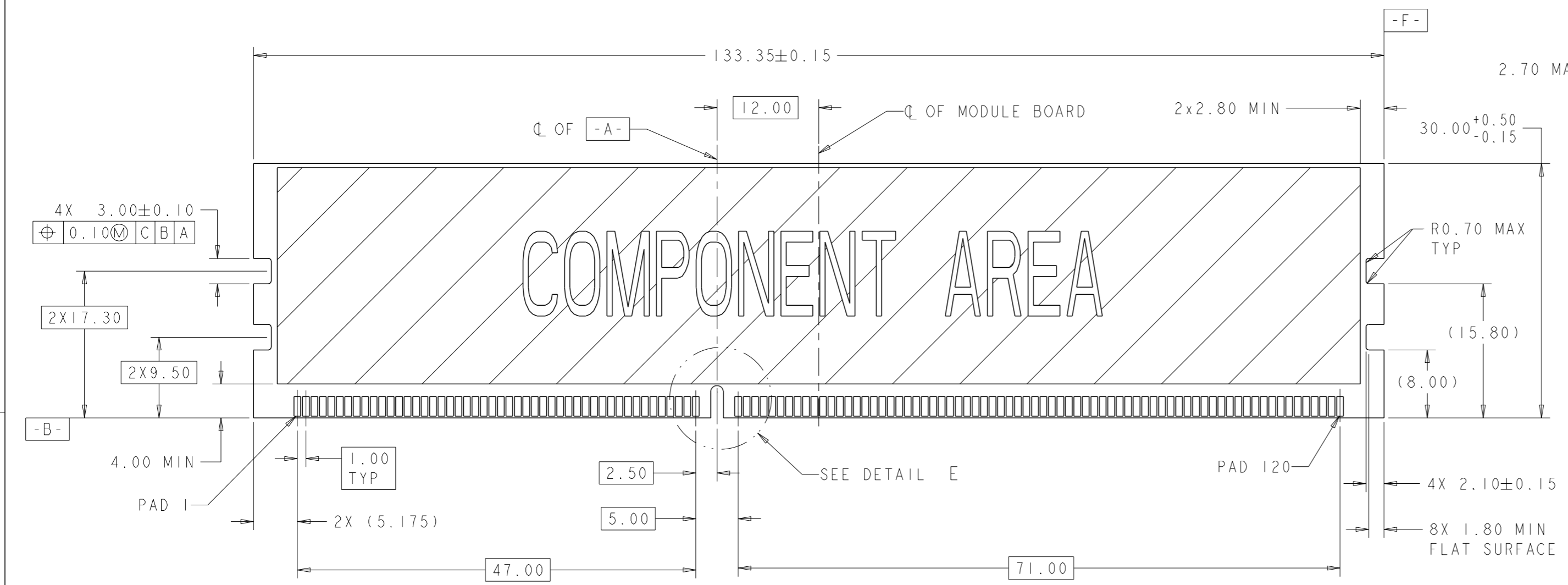
DIM A	COMPLIANT PIN	INTERFACE FINISH	SUPPORT PLATE COLOT	EXTRACTOR COLOR	HOUSING COLOR	DESCRIPTION	PART NUMBER
2.40	9	(2)	BLACK	AMBER	BLACK	1 POST	3-2013266-4
			BLACK	NATURAL	BLACK		3-2013266-3
3.30	9	(1)	BLACK	AMBER	BLACK	1 POST	3-2013266-2
			BLACK	NATURAL	BLACK		3-2013266-1
2.40	9	(2)	BLACK	AMBER	BLACK	1 POST	2-2013266-4
			BLACK	NATURAL	BLACK		2-2013266-3
3.30	9	(1)	BLACK	AMBER	BLACK	1 POST	2-2013266-2
			BLACK	NATURAL	BLACK		2-2013266-1
2.40	9	(2)	BLACK	NATURAL	BLACK	1 POST	1-2013266-7
			BLACK	BLACK	BLACK		1-2013266-6
3.38	10	(1)	NATURAL	NATURAL	NATURAL	1 POST	1-2013266-5
			BLUE	NATURAL	BLUE		1-2013266-4
2.40	9	(2)	BLACK	NATURAL	BLACK	1 POST	1-2013266-3
			NATURAL	NATURAL	NATURAL		1-2013266-2
3.38	10	(1)	BLACK	BLACK	BLACK	1 POST	1-2013266-1
			NATURAL	NATURAL	NATURAL		2013266-7
2.40	9	(2)	BLACK	NATURAL	BLACK	1 POST	2013266-6
			BLACK	BLACK	BLACK		2013266-5
3.38	10	(1)	NATURAL	NATURAL	NATURAL	1 POST	2013266-4
			BLUE	NATURAL	BLUE		2013266-3
2.40	9	(2)	BLACK	NATURAL	BLACK	1 POST	2013266-2
			BLACK	NATURAL	BLACK		2013266-1

THIS DRAWING IS UNPUBLISHED. RELEASED FOR PUBLICATION 20
 ALL RIGHTS RESERVED.

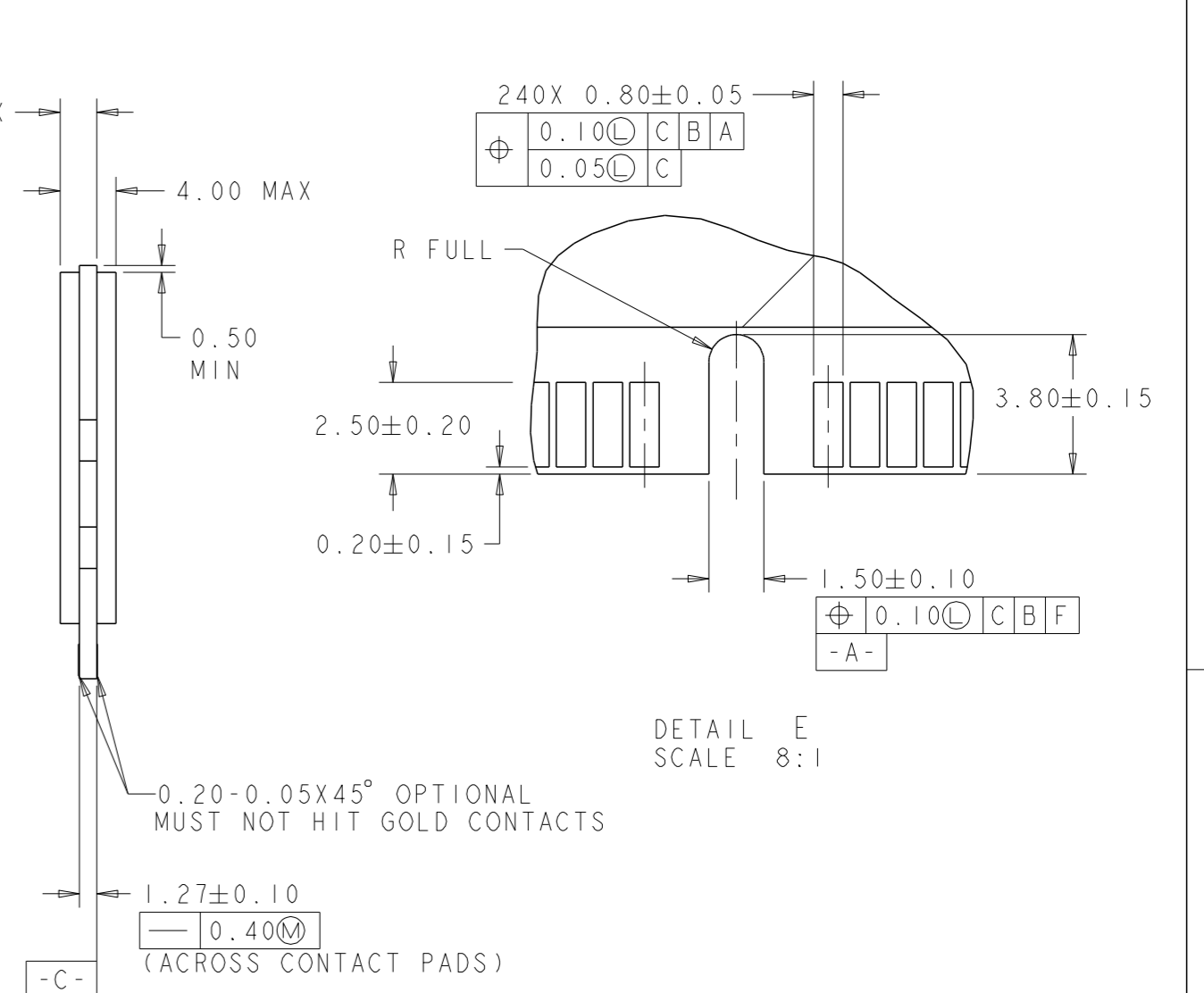
LOC	DIST	REV	DESCRIPTION	DATE	BY	APPROV
J	-	-	SEE SHEET 1	-	-	-



RECOMMENDED PCB LAYOUT
 VIEWED FROM CONNECTOR SIDE

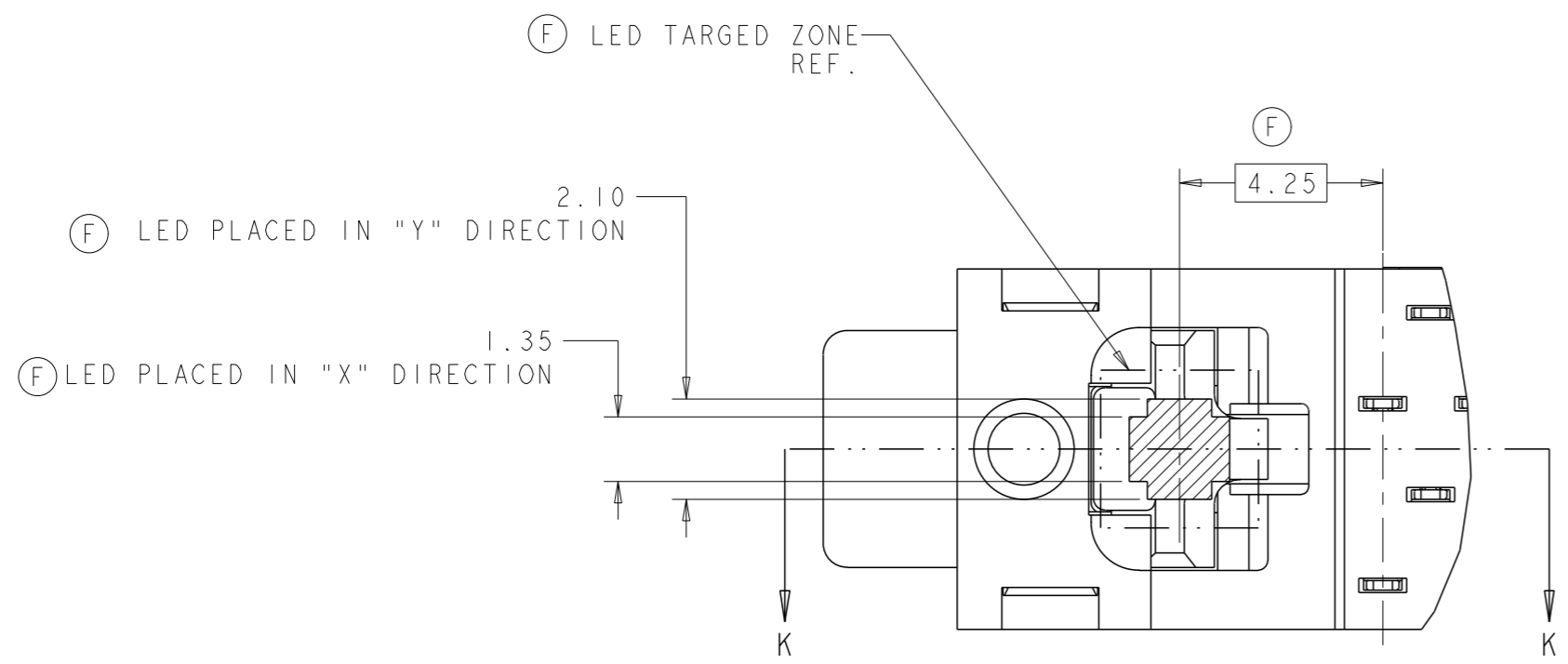


SCALE 3:1
 RECOMMENDED MODULE LAYOUT
 REFER TO JEDEC MO-269 FOR COMPLETE MODULE DETAILS

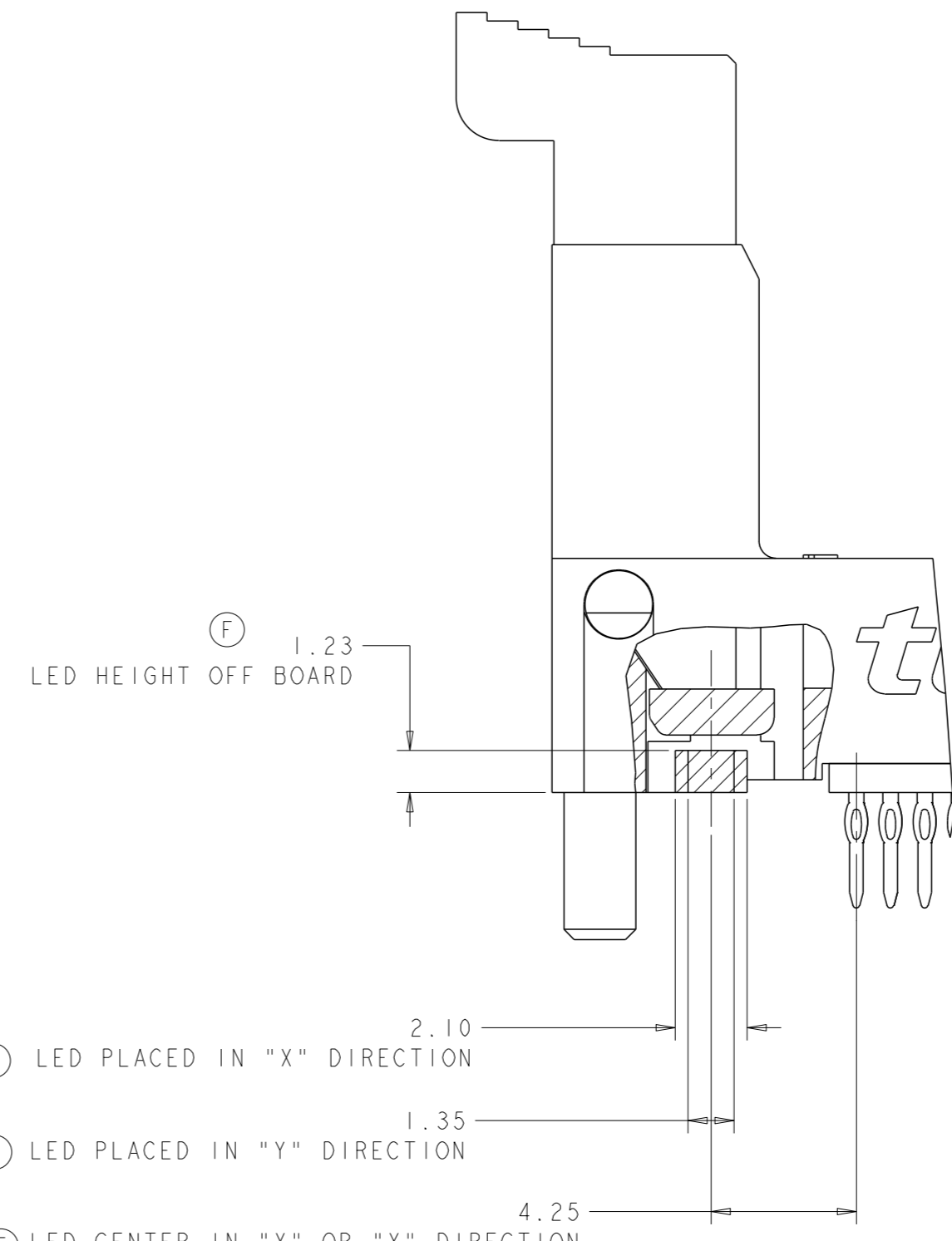


THIS DRAWING IS A CONTROLLED DOCUMENT.		DWR SANDERS, YAW 18-May-2007	TE Connectivity
DIMENSIONS: mm		CHK T. KAWAMAE 18-May-2007	
TOLERANCES UNLESS OTHERWISE SPECIFIED:		APPROD STEVEN YAO 18-May-2007	NAME
0 PLC ±0.5	1 PLC ±0.13	PRODUCT SPEC	SOCKET ASSEMBLY, VERTICAL DDR3 DIMM, PRESS FIT, 240 POSITIONS
2 PLC ±0.13	3 PLC ±0.013	APPLICATION SPEC	SIZE (CASE CODE) DRAWING NO
4 PLC ±0.0001	ANGLES	WEIGHT	A100779 ©=2013266
MATERIAL	FINISH	CUSTOMER DRAWING	RESTRICTED TO
		SCALE 1:1	SHEET 2 OF 3
		REV F	

LOC		DIST		REVISIONS			
P	LYR	DESCRIPTION	DATE	DRN	APVD		
-	-	SEE SHEET 1	-	-	-	-	-



PARTIAL BOTTOM VIEW
SCALE 10:1



SECTION K-K
SCALE 8:1

DIM A	COMPLIANT PIN	INTERFACE FINISH	SUPPORT PLATE COLOT	EXTRACTOR COLOR	HOUSING COLOR	DESCRIPTION	PART NUMBER
E3 A2 2.40	A0	(1)	BLACK	NATURAL	BLACK	1 POST	3-2013266-8
			NATURAL	NATURAL	NATURAL		3-2013266-7
			BLACK	AMBER	BLACK		3-2013266-6
			BLUE	BLACK	BLUE		3-2013266-5
E3 A2 3.30	A0	(1)	BLACK	BLACK	BLACK	1 POST	2-2013266-9
			BLACK	NATURAL	BLACK		2-2013266-8
			NATURAL	NATURAL	NATURAL		2-2013266-7
			BLACK	AMBER	BLACK		2-2013266-6
			BLUE	BLACK	BLUE		2-2013266-5

THIS DRAWING IS A CONTROLLED DOCUMENT. DWN SANDERS, YAW 18-May-2007
 CH T. KAWAMAE 18-May-2007
 APVD STEVEN YAO 18-May-2007

STE TE Connectivity

SOCKET ASSEMBLY,
 VERTICAL DDR3 DIMM,
 PRESS FIT, 240 POSITIONS

SIZE: A1 CAGE CODE: 00779 DRAWING NO: 2013266
 SCALE: 1:1 SHEET 3 OF 3 REV F