



Chipsmall Limited consists of a professional team with an average of over 10 year of expertise in the distribution of electronic components. Based in Hongkong, we have already established firm and mutual-benefit business relationships with customers from,Europe,America and south Asia,supplying obsolete and hard-to-find components to meet their specific needs.

With the principle of “Quality Parts,Customers Priority,Honest Operation,and Considerate Service”,our business mainly focus on the distribution of electronic components. Line cards we deal with include Microchip,ALPS,ROHM,Xilinx,Pulse,ON,Everlight and Freescale. Main products comprise IC,Modules,Potentiometer,IC Socket,Relay,Connector.Our parts cover such applications as commercial,industrial, and automotives areas.

We are looking forward to setting up business relationship with you and hope to provide you with the best service and solution. Let us make a better world for our industry!



## Contact us

Tel: +86-755-8981 8866 Fax: +86-755-8427 6832

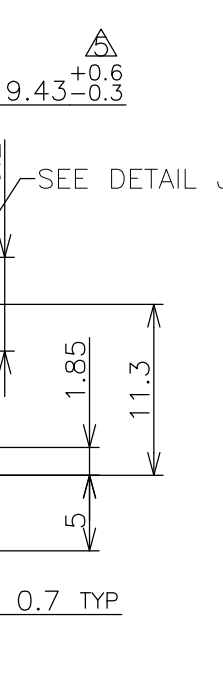
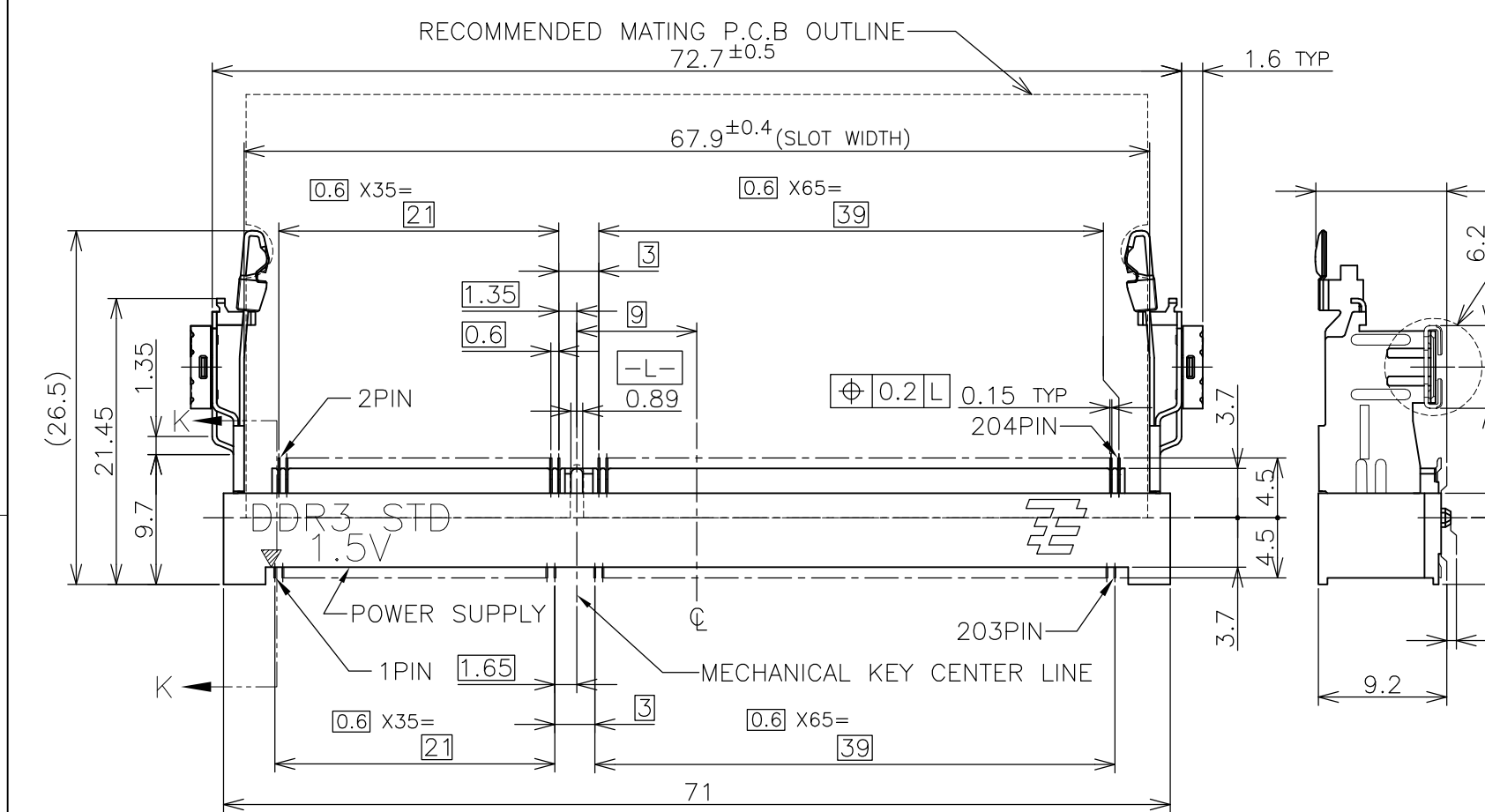
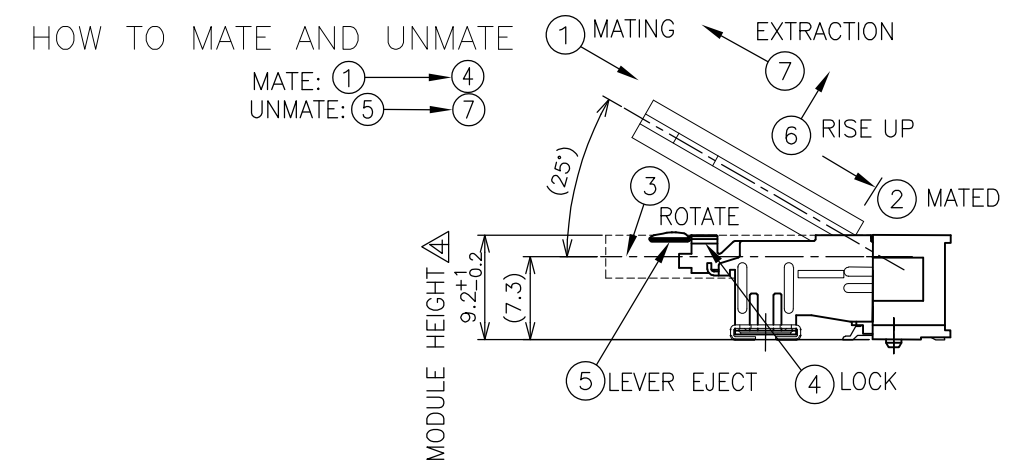
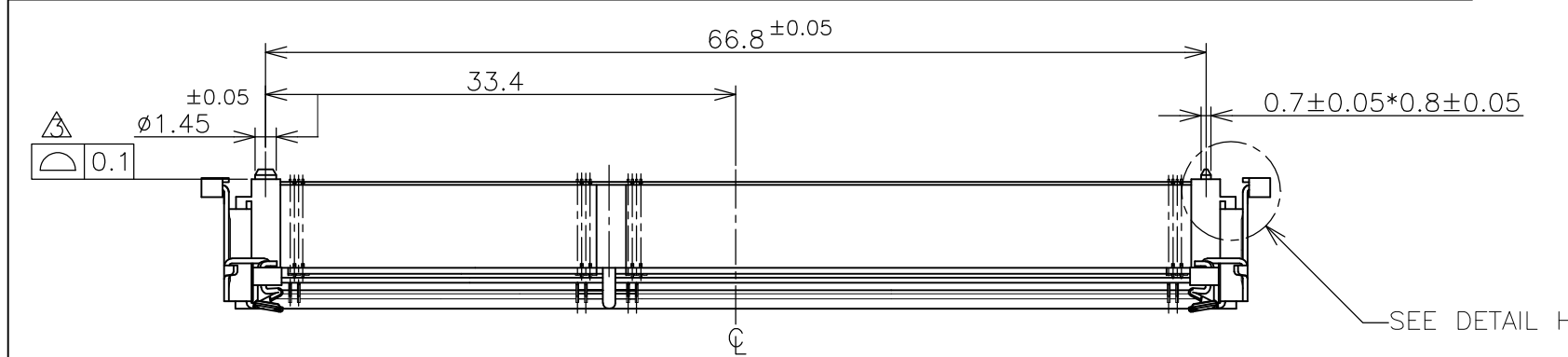
Email & Skype: info@chipsmall.com Web: www.chipsmall.com

Address: A1208, Overseas Decoration Building, #122 Zhenhua RD., Futian, Shenzhen, China

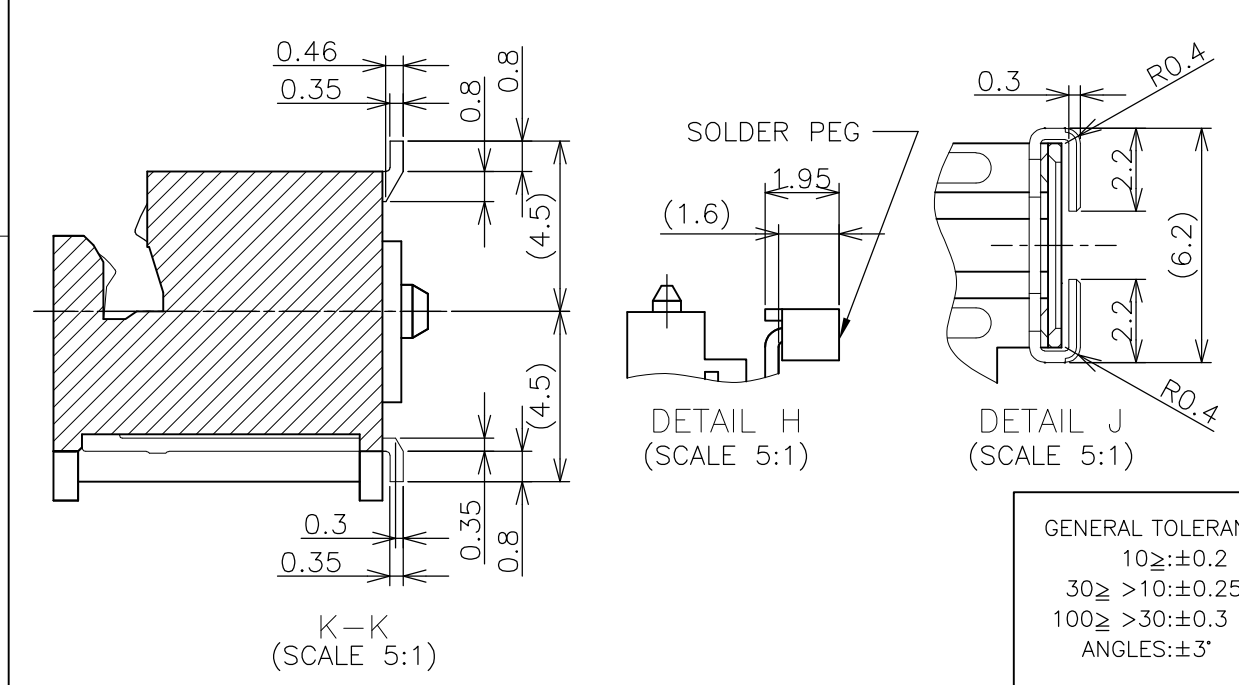


THIS DRAWING IS UNPUBLISHED. RELEASED FOR PUBLICATION SEP, 2007.  
 © COPYRIGHT 2007 By - ALL RIGHTS RESERVED.

LOC	DIST	REVISIONS			
P	LTR	DESCRIPTION	DATE	DWN	APVD
J	/				
	D	REVISED PER ECR-12-004002	01MAR2012	W.W	C.W



- (APPLIED TO SHEET 1-2)
- MATERIAL ; HOUSING: HIGH TEMPERATURE THERMO PLASTIC UL94V-0  
 COLOR: SEE TABLE  
 CONTACT: COPPER ARROY  
 LOCK LEVER: STAINLESS STEEL  
 PEG: COPPER ARROY
  1. FINISH ; CONTACT AREA: GOLD FLASH  
 ALL OVER NICKEL.  
 SOLDERING AREA: GOLD FLASH PLATING  
 PEG: TIN PLATING.
  2. FINISH ; CONTACT AREA: 0.000254MIN GOLD  
 ALL OVER NICKEL.  
 SOLDERING AREA: GOLD FLASH PLATING  
 PEG: TIN PLATING.
  3. FINISH ; CONTACT AREA: 0.00076MIN GOLD  
 ALL OVER NICKEL.  
 SOLDERING AREA: GOLD FLASH PLATING  
 PEG: TIN PLATING.
- △ COPLANARITY: 0.1 MAX. (BEFORE SOLDERING)
  - △ THE FLOATING VALUE BY SOLDERING IS NOT INCLUDED.
  - △ NOT MATING CONDITION.
6. IF THE MODULE DOESN'T INSERT AND LOCK IN THE LATCH SMOOTHLY, OPEN WIDE BOTH LATCHES BY MANUAL. AND THE MODULE MUST BE INSERTED AND LOCKED IN THE LATCH.



GENERAL TOLERANCE  
 10 ≥ : ± 0.2  
 30 ≥ > 10 : ± 0.25  
 100 ≥ > 30 : ± 0.3  
 ANGLES : ± 3°

THIS DRAWING IS A CONTROLLED DOCUMENT.		DWN T.FUMIKURA 18SEP2007	<b>STE</b> TE Connectivity	
DIMENSIONS: MM		CHK K.IKEGAMI 18SEP2007		
TOLERANCES UNLESS OTHERWISE SPECIFIED:		APVD K.IKEGAMI 18SEP2007	NAME	
0 PLC ±		DDR3 SODIMM SOCKET 0.6mm PITCH 204POS 9.2mm HEIGHT STANDARD TYPE		
1 PLC ±				
2 PLC ±				
3 PLC ±				
4 PLC ±		PRODUCT SPEC	SIZE	CAGE CODE
ANGLES ±		108-78493	A3	00779
FINISH		APPLICATION SPEC	DRAWING NO	RESTRICTED TO
MATERIAL		WEIGHT 6.2g	C-2013310	
		CUSTOMER DRAWING	SCALE 2:1	SHEET 1 OF 6
			REV D	

4

3

2

1

THIS DRAWING IS UNPUBLISHED.

RELEASED FOR PUBLICATION SEP , 2007.

© COPYRIGHT 2007 By -

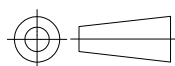
ALL RIGHTS RESERVED.

LOC	DIST	REVISIONS				
P	LTR	DESCRIPTION	DATE	DWN	APVD	
J	-	-	-	-	-	
		SEE SHEET 1				

AVAILABLE	ENBOSS (SEE SHEET 6)	WITHBOSS	BLACK	NOTE 2-3	1.5V	204	2-2013310-3
AVAILABLE	ENBOSS (SEE SHEET 6)	WITHBOSS	BLACK	NOTE 2-2	1.5V	204	2-2013310-2
AVAILABLE	ENBOSS (SEE SHEET 6)	WITHBOSS	BLACK	NOTE 2-1	1.5V	204	2-2013310-1
AVAILABLE	SEMI-HARD TRAY (SEE SHEET 5)	WITH BOSS	BLACK	NOTE 2-3	1.5V	204	2013310-3
AVAILABLE	SEMI-HARD TRAY (SEE SHEET 5)	WITH BOSS	BLACK	NOTE 2-2	1.5V	204	2013310-2
AVAILABLE	SEMI-HARD TRAY (SEE SHEET 5)	WITH BOSS	BLACK	NOTE 2-1	1.5V	204	2013310-1
TOOLING STATUS	PACKAGING TYPE	REMARK	HOUSING COLOR	FINISH	POWER SUPPLY	POS	PART NO.

THIS DRAWING IS A CONTROLLED DOCUMENT.

DIMENSIONS:  
MM



TOLERANCES UNLESS OTHERWISE SPECIFIED:

0 PLC ±  
 1 PLC ±  
 2 PLC ±  
 3 PLC ±  
 4 PLC ±  
 ANGLES ±

MATERIAL

FINISH

DWN
CHK
APVD
PRODUCT SPEC
APPLICATION SPEC
WEIGHT
CUSTOMER DRAWING



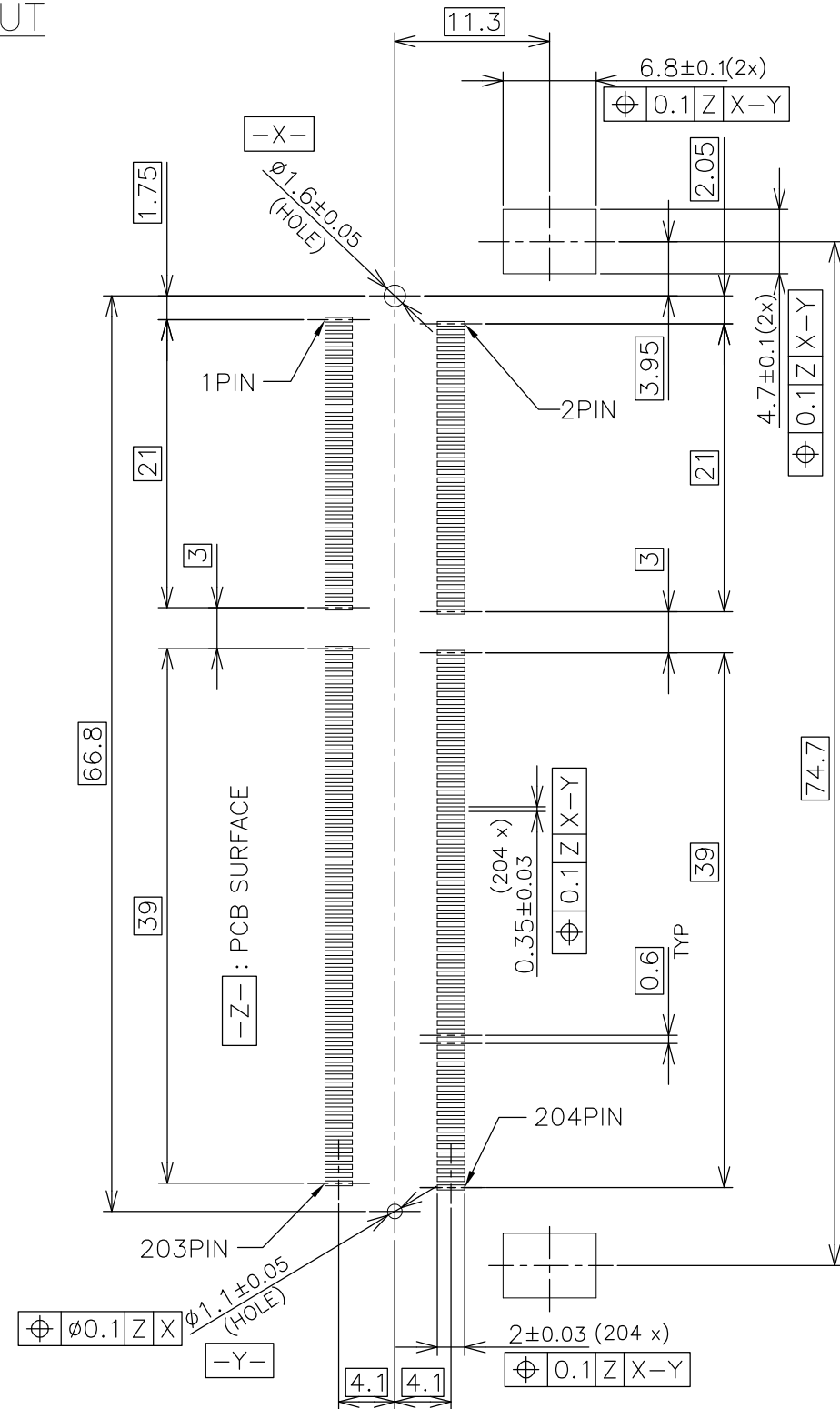
NAME  
 DDR3 SODIMM SOCKET  
 0.6mm PITCH 204POS  
 9.2mm HEIGHT STANDARD TYPE

SIZE	CAGE CODE	DRAWING NO	RESTRICTED TO
A3	00779	C-2013310	-


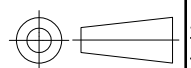
SCALE	SHEET	REV
2:1	2 OF 6	D

P	LTR	DESCRIPTION	DATE	DWN	APVD
-	-	SEE SHEET 1	-	-	-

# REFERENCE P.C.BOARD PATTERN LAYOUT (CONNECTOR MOUNTING SIDE)



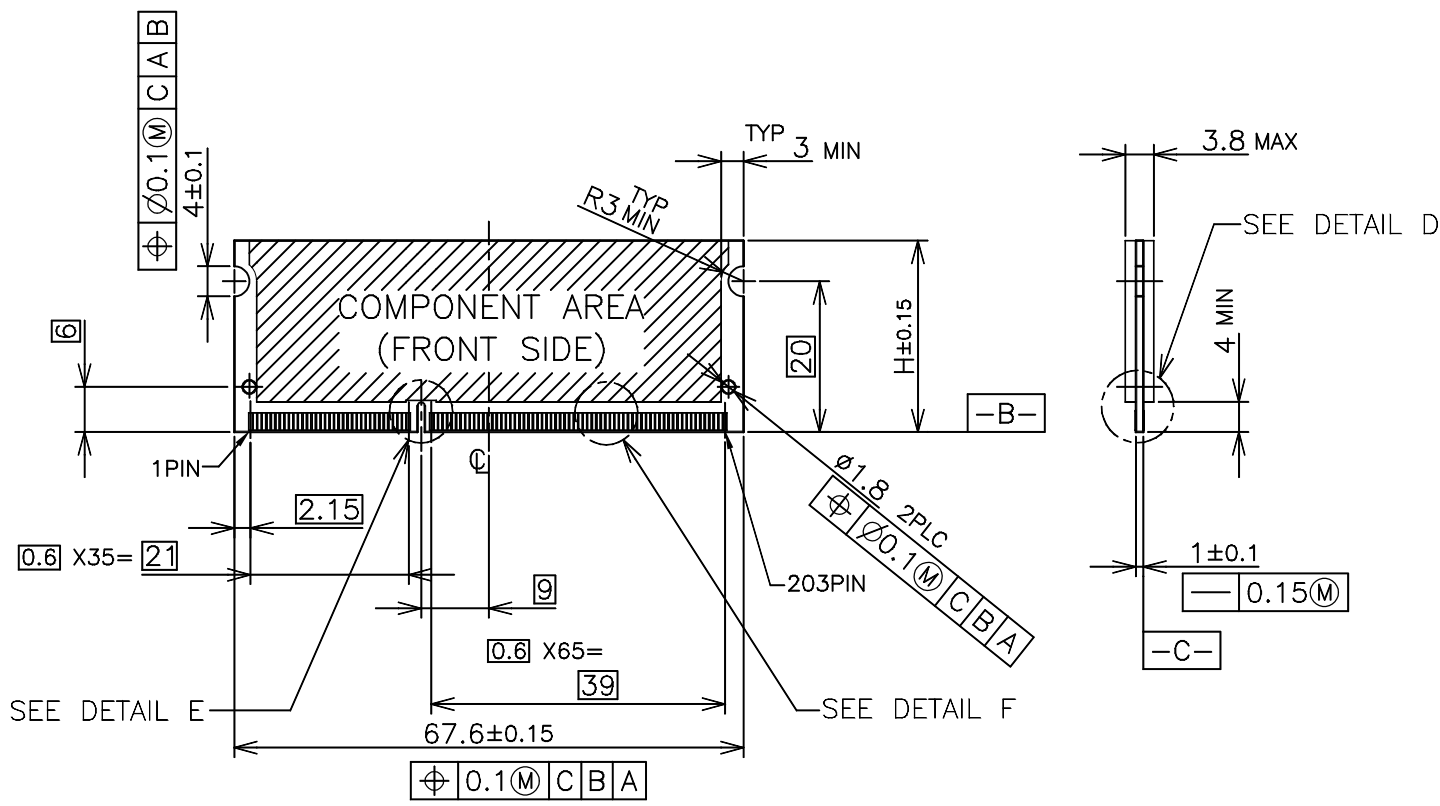
STD TYPE

THIS DRAWING IS A CONTROLLED DOCUMENT.		DWN		 <b>TE Connectivity</b>	
DIMENSIONS: MM		CHK			
		APVD			
TOLERANCES UNLESS OTHERWISE SPECIFIED: 0 PLC ± 1 PLC ± 2 PLC ± 3 PLC ± 4 PLC ± ANGLES ± MATERIAL FINISH		NAME			
MATERIAL		PRODUCT SPEC		DDR3 SODIMM SOCKET 0.6mm PITCH 204POS 9.2mm HEIGHT STANDARD TYPE	
		APPLICATION SPEC		SIZE	RESTRICTED TO
		WEIGHT		A3	
		CUSTOMER DRAWING		CAGE CODE	
				00779	
				DRAWING NO	
				C-2013310	
				SCALE	
				2:1	
				SHEET	
				3 OF 6	
				REV	
				D	

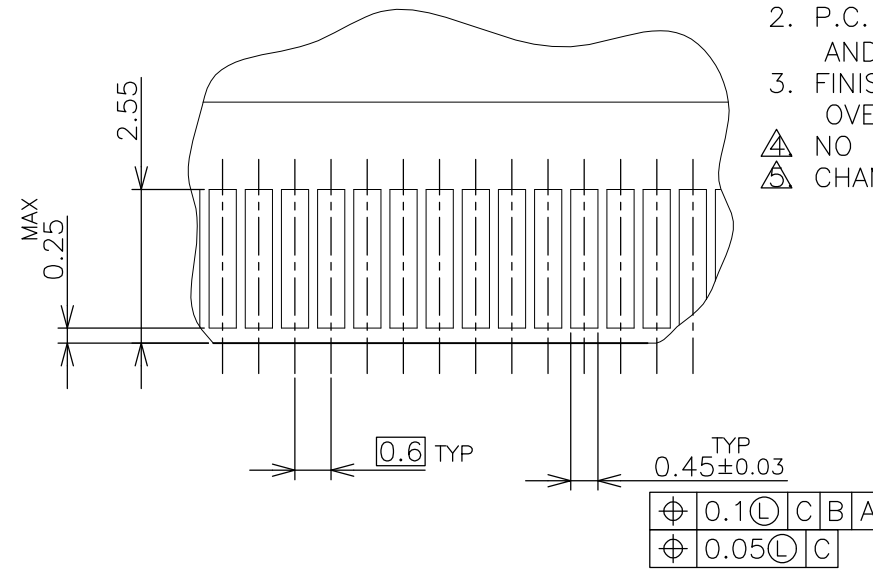
LOC	DIST
J	/

REVISIONS			DATE	DWN	APVD
P	LTR	DESCRIPTION			
-	-	SEE SHEET 1	-	-	-

# REFERENCE MATING P.C.B CONFIGURATION

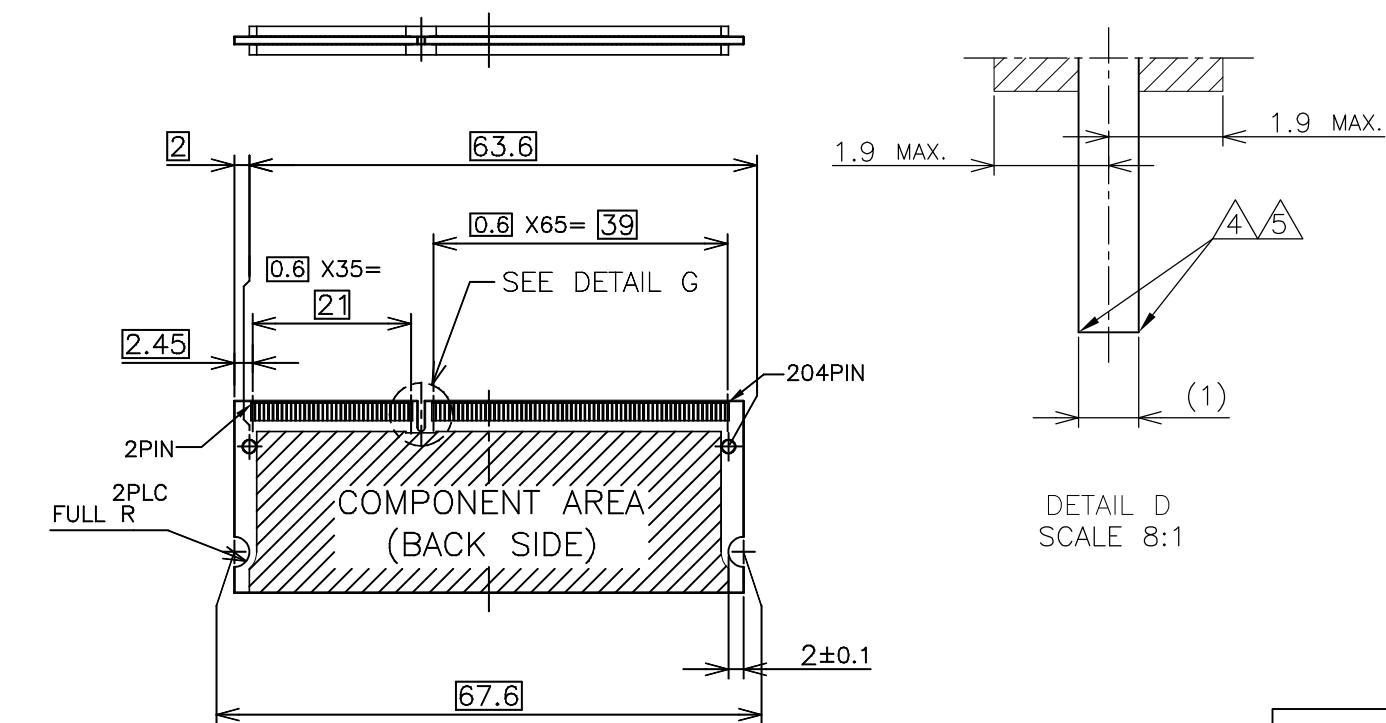


DETAIL F  
SCALE 8:1



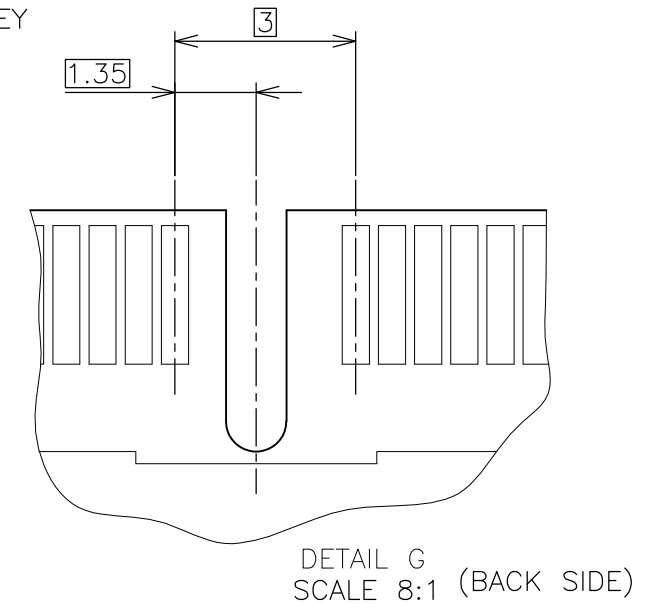
(APPLIED TO SHEET 4)

1. TOLERANCES ON ALL DIMENSIONS ±0.15 UNLESS OTHERWISE SPECIFIED.
  2. P.C. BOARD THICKNESS APPLIES ACROSS TABS AND INCLUDES PLATING AND/OR METALIZATION.
  3. FINISH OF PAD : GOLD PLATING 0.00076 MIN. OVER Ni PLATING 0.002MIN.
- NO BURR  
CHAMFER 0.25 MAX x 45° IF EXIST.



DETAIL D  
SCALE 8:1

DETAIL E  
SCALE 8:1 (FRONT SIDE)



DETAIL G  
SCALE 8:1 (BACK SIDE)

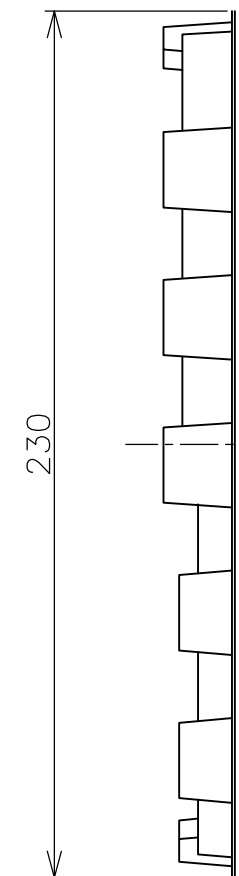
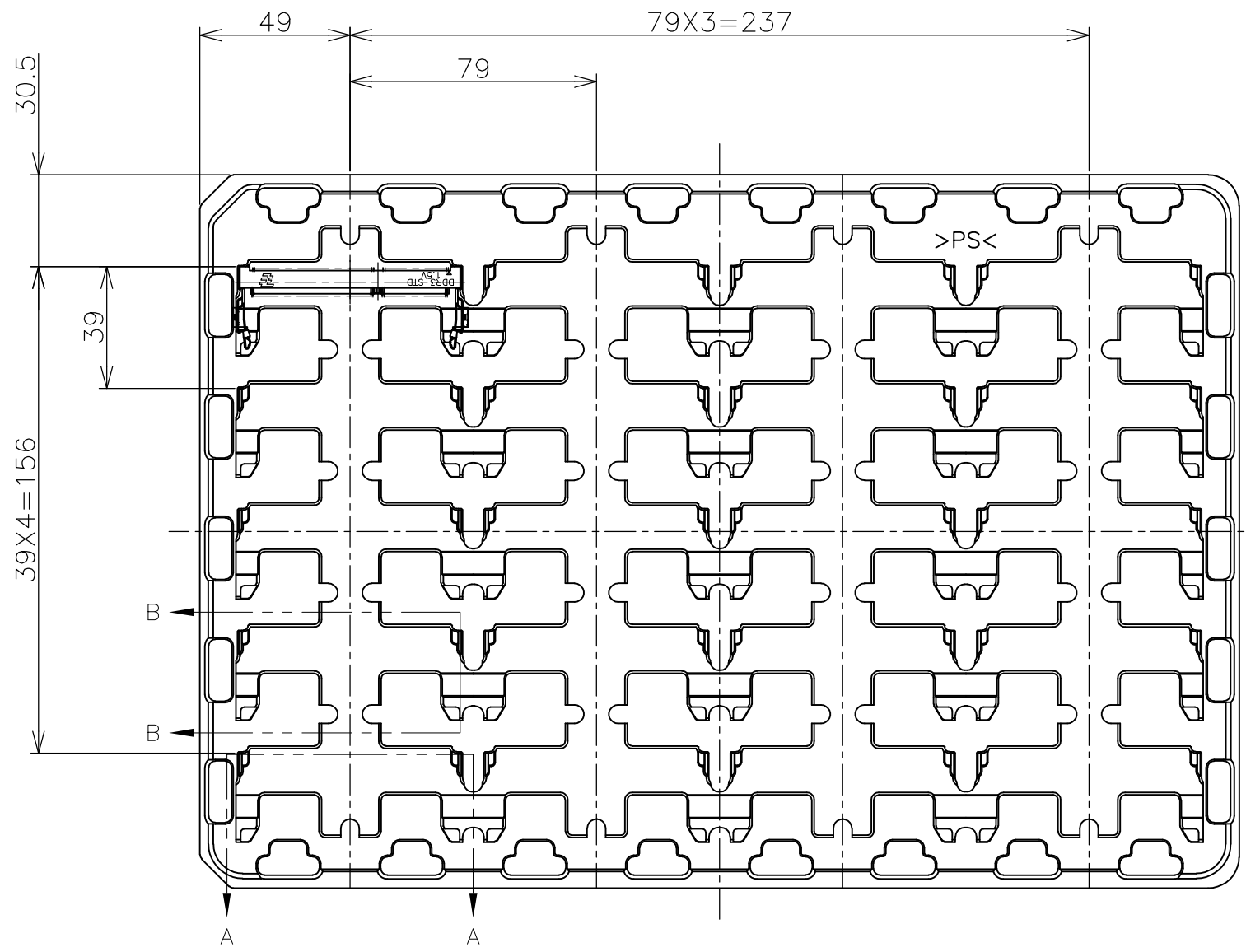
30	CA
31.75	BA
25.4	AA
H	SDRAM VARIATIONS

THIS DRAWING IS A CONTROLLED DOCUMENT.		DWN	TE Connectivity			
DIMENSIONS: MM		CHK				
TOLERANCES UNLESS OTHERWISE SPECIFIED:		APVD				
0 PLC ± 1 PLC ± 2 PLC ± 3 PLC ± 4 PLC ± ANGLES ± FINISH ±		NAME				
MATERIAL		PRODUCT SPEC	DDR3 SODIMM SOCKET			
		APPLICATION SPEC	0.6mm PITCH 204POS			
		WEIGHT	9.2mm HEIGHT STANDARD TYPE			
		CUSTOMER DRAWING	SIZE	CAGE CODE	DRAWING NO	RESTRICTED TO
			A3	00779	C-2013310	-
			SCALE	SHEET	REV	
			2:1	4 OF 6	D	

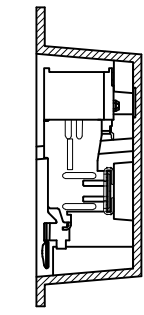


THIS DRAWING IS UNPUBLISHED. RELEASED FOR PUBLICATION SEP , 2007.  
 © COPYRIGHT 2007 By - ALL RIGHTS RESERVED.

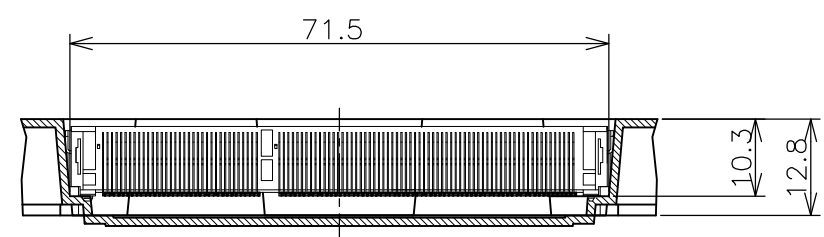
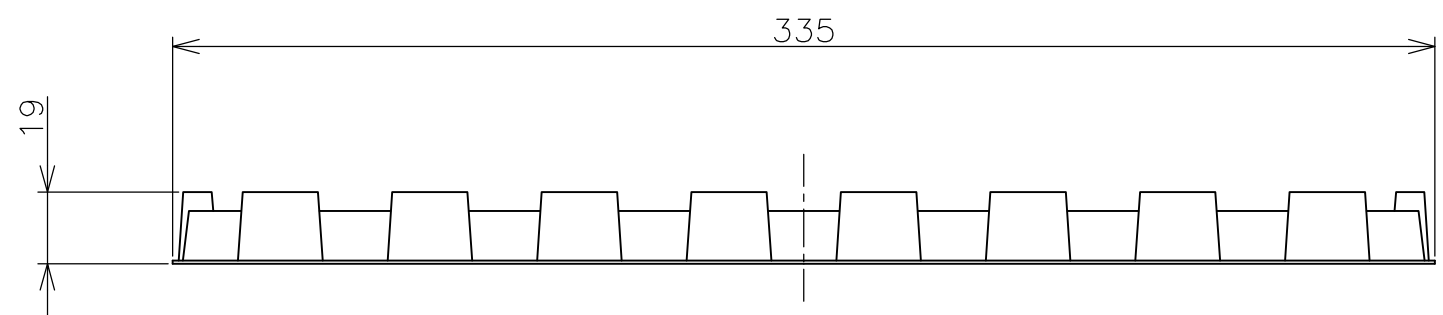
LOC	DIST	REVISIONS			
P	LTR	DESCRIPTION	DATE	DWN	APVD
J	/	SEE SHEET 1	-	-	-



- (APPLIED TO SHEET 5)  
 1. THE DIRECTION OF EACH CONNECTOR ON A TRAY IS REFERRED TO THIS DRAWING.  
 2. GENERAL TOLERANCE: ±0.5, ±3'



B-B  
SCALE 1:1



A-A  
SCALE 1:1  
(180DEG. ROTATE)

200EA	20EA	*- 2013310 -*
QTY/BOX	QTY/TRAY	PART NO.

THIS DRAWING IS A CONTROLLED DOCUMENT.		DWN	TE Connectivity								
DIMENSIONS: MM		CHK									
		APVD									
TOLERANCES UNLESS OTHERWISE SPECIFIED: 0 PLC ± 0.5 1 PLC ± 0.5 2 PLC ± 0.5 3 PLC ± 0.5 4 PLC ± 0.5 ANGLES ± 3' MATERIAL FINISH		NAME									
MATERIAL		PRODUCT SPEC	DDR3 SODIMM SOCKET								
		APPLICATION SPEC	0.6mm PITCH 204POS								
		WEIGHT	9.2mm HEIGHT STANDARD TYPE								
		CUSTOMER DRAWING	<table border="1"> <tr> <td>SIZE</td> <td>CAGE CODE</td> <td>DRAWING NO</td> <td>RESTRICTED TO</td> </tr> <tr> <td>A3</td> <td>00779</td> <td>C-2013310</td> <td>-</td> </tr> </table>	SIZE	CAGE CODE	DRAWING NO	RESTRICTED TO	A3	00779	C-2013310	-
SIZE	CAGE CODE	DRAWING NO	RESTRICTED TO								
A3	00779	C-2013310	-								
		SCALE 1:2	<table border="1"> <tr> <td>SHEET</td> <td>REV</td> </tr> <tr> <td>5 OF 6</td> <td>D</td> </tr> </table>	SHEET	REV	5 OF 6	D				
SHEET	REV										
5 OF 6	D										

4

3

2

1

THIS DRAWING IS UNPUBLISHED.

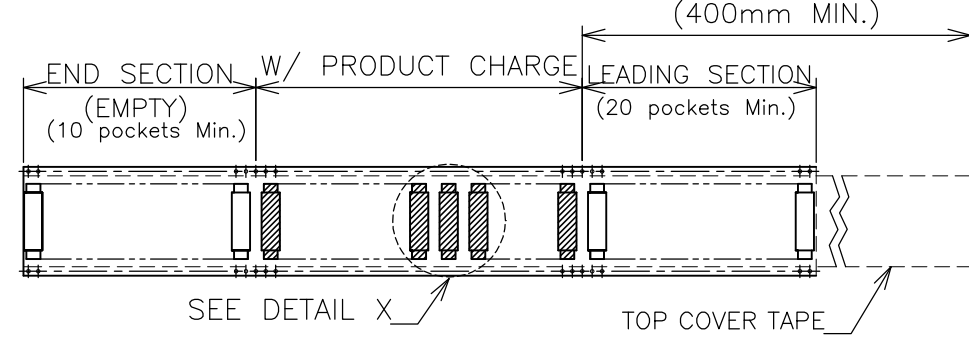
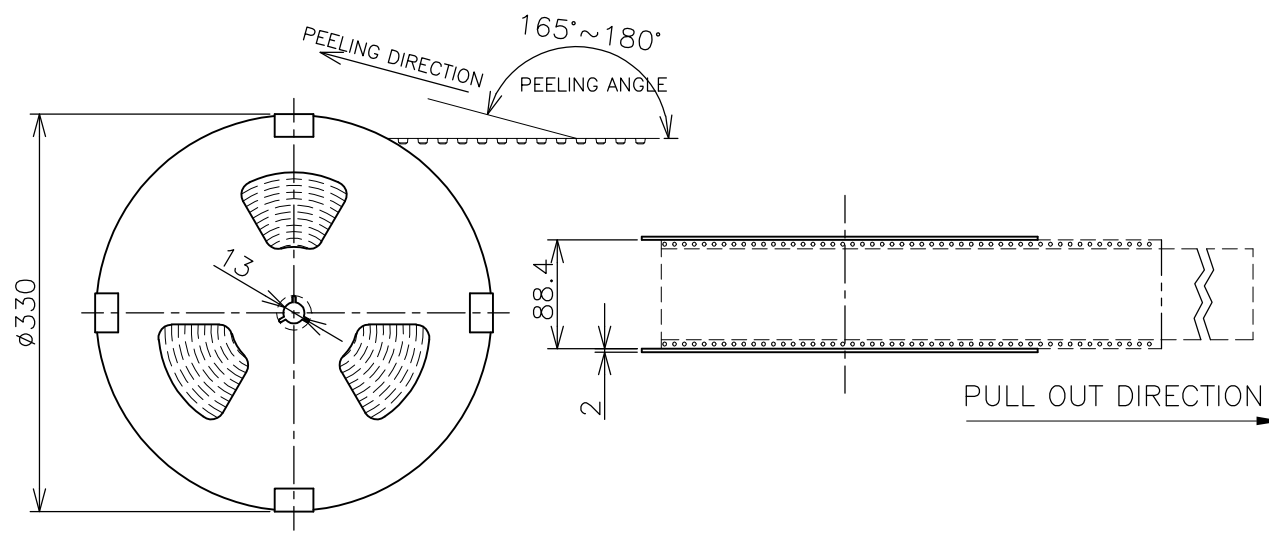
RELEASED FOR PUBLICATION

SEP ,2007.

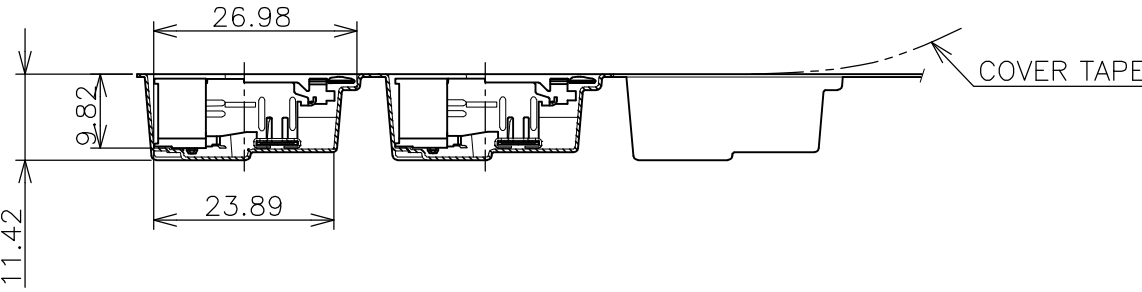
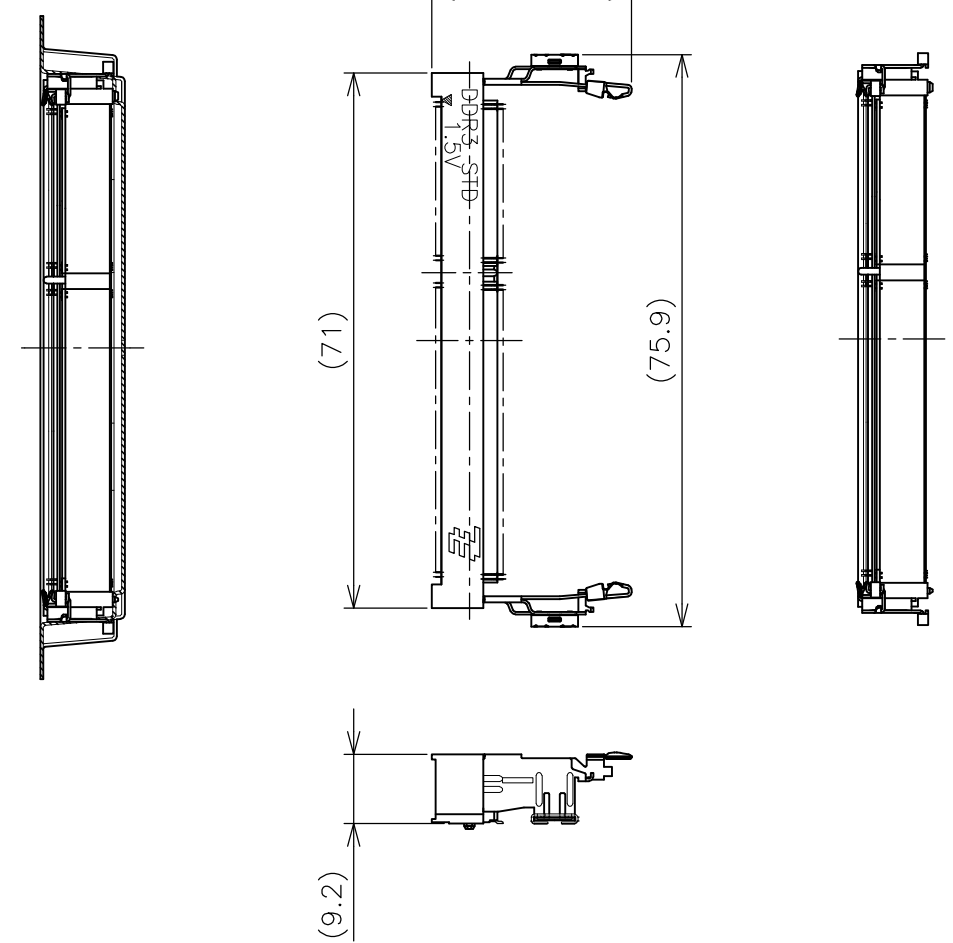
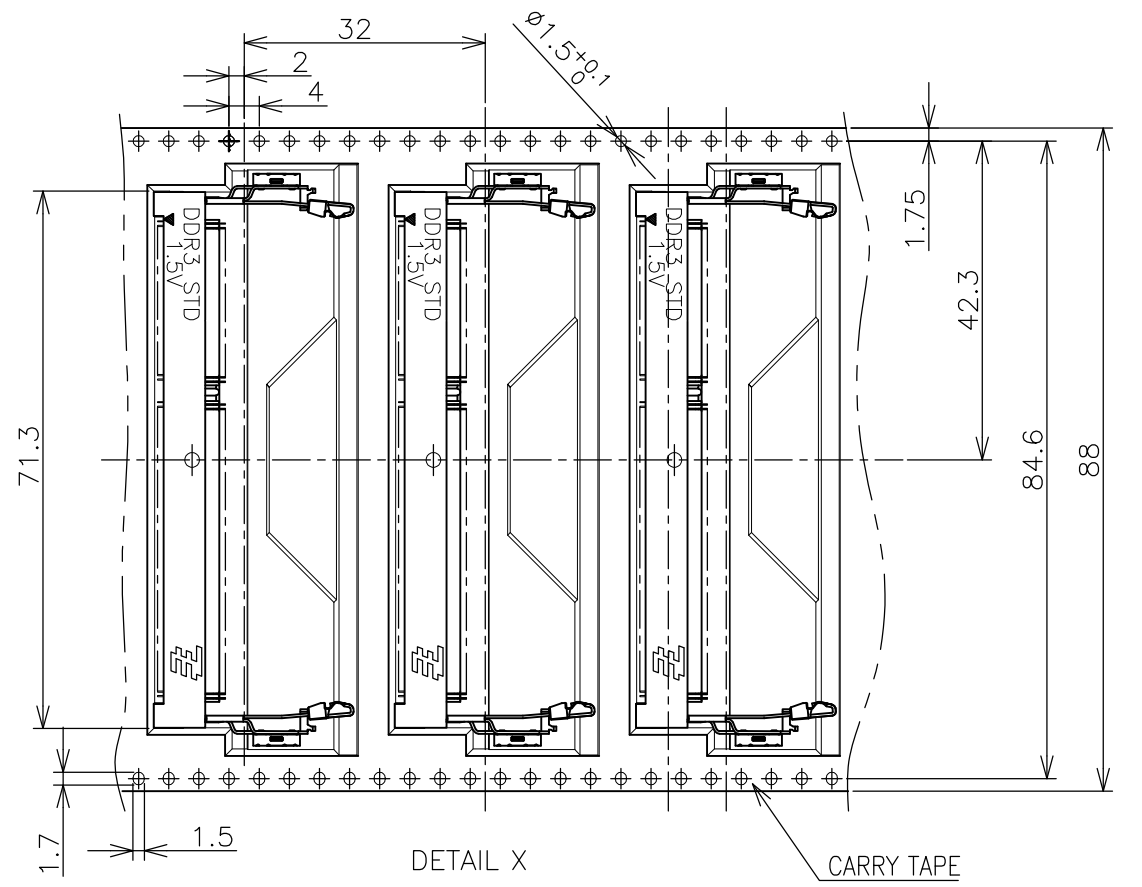
© COPYRIGHT 2007 By -

ALL RIGHTS RESERVED.

LOC	DIST	REVISIONS			
P	LTR	DESCRIPTION	DATE	DWN	APVD
J	/	-	SEE SHEET 1	-	-



(APPLIED TO SHEET 6)  
 1. THE DIRECTION OF EACH CONNECTOR ON A EMBOSS IS REFERRED TO THIS DRAWING.  
 2. GENERAL TOLERANCE: ±0.5, ±3'



THIS DRAWING IS A CONTROLLED DOCUMENT.		DWN	TE Connectivity NAME DDR3 SODIMM SOCKET 0.6mm PITCH 204POS 9.2mm HEIGHT STANDARD TYPE		
DIMENSIONS: MM		CHK			
TOLERANCES UNLESS OTHERWISE SPECIFIED:		APVD			
0 PLC ± 0.5 1 PLC ± 0.5 2 PLC ± 0.5 3 PLC ± 0.5 4 PLC ± 0.5 ANGLES ± 3'		PRODUCT SPEC			
MATERIAL		FINISH	APPLICATION SPEC	SIZE	A3
			WEIGHT	CAGE CODE	00779
			CUSTOMER DRAWING	DRAWING NO	C-2013310
				RESTRICTED TO	-
				SCALE	1:2
				SHEET	6 OF 6
				REV	D