



Chipsmall Limited consists of a professional team with an average of over 10 year of expertise in the distribution of electronic components. Based in Hongkong, we have already established firm and mutual-benefit business relationships with customers from,Europe,America and south Asia,supplying obsolete and hard-to-find components to meet their specific needs.

With the principle of “Quality Parts,Customers Priority,Honest Operation,and Considerate Service”,our business mainly focus on the distribution of electronic components. Line cards we deal with include Microchip,ALPS,ROHM,Xilinx,Pulse,ON,Everlight and Freescale. Main products comprise IC,Modules,Potentiometer,IC Socket,Relay,Connector.Our parts cover such applications as commercial,industrial, and automotives areas.

We are looking forward to setting up business relationship with you and hope to provide you with the best service and solution. Let us make a better world for our industry!



## Contact us

Tel: +86-755-8981 8866 Fax: +86-755-8427 6832

Email & Skype: info@chipsmall.com Web: www.chipsmall.com

Address: A1208, Overseas Decoration Building, #122 Zhenhua RD., Futian, Shenzhen, China

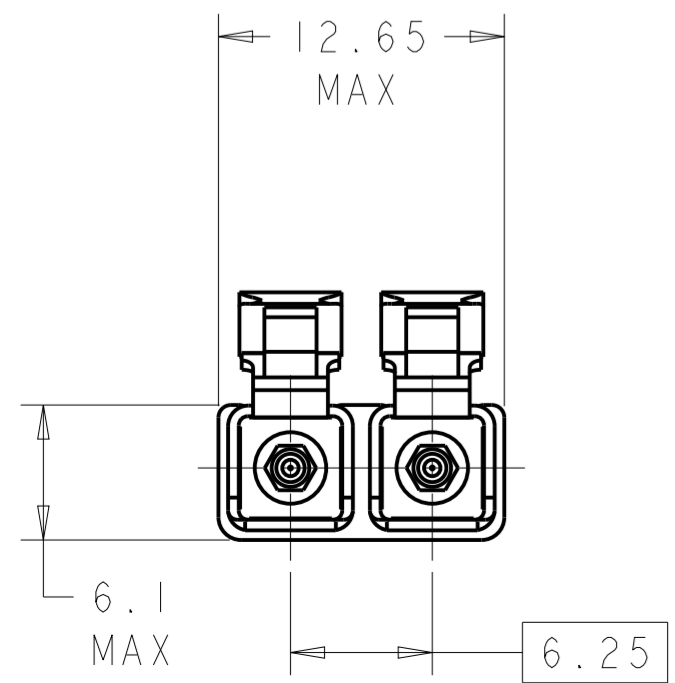
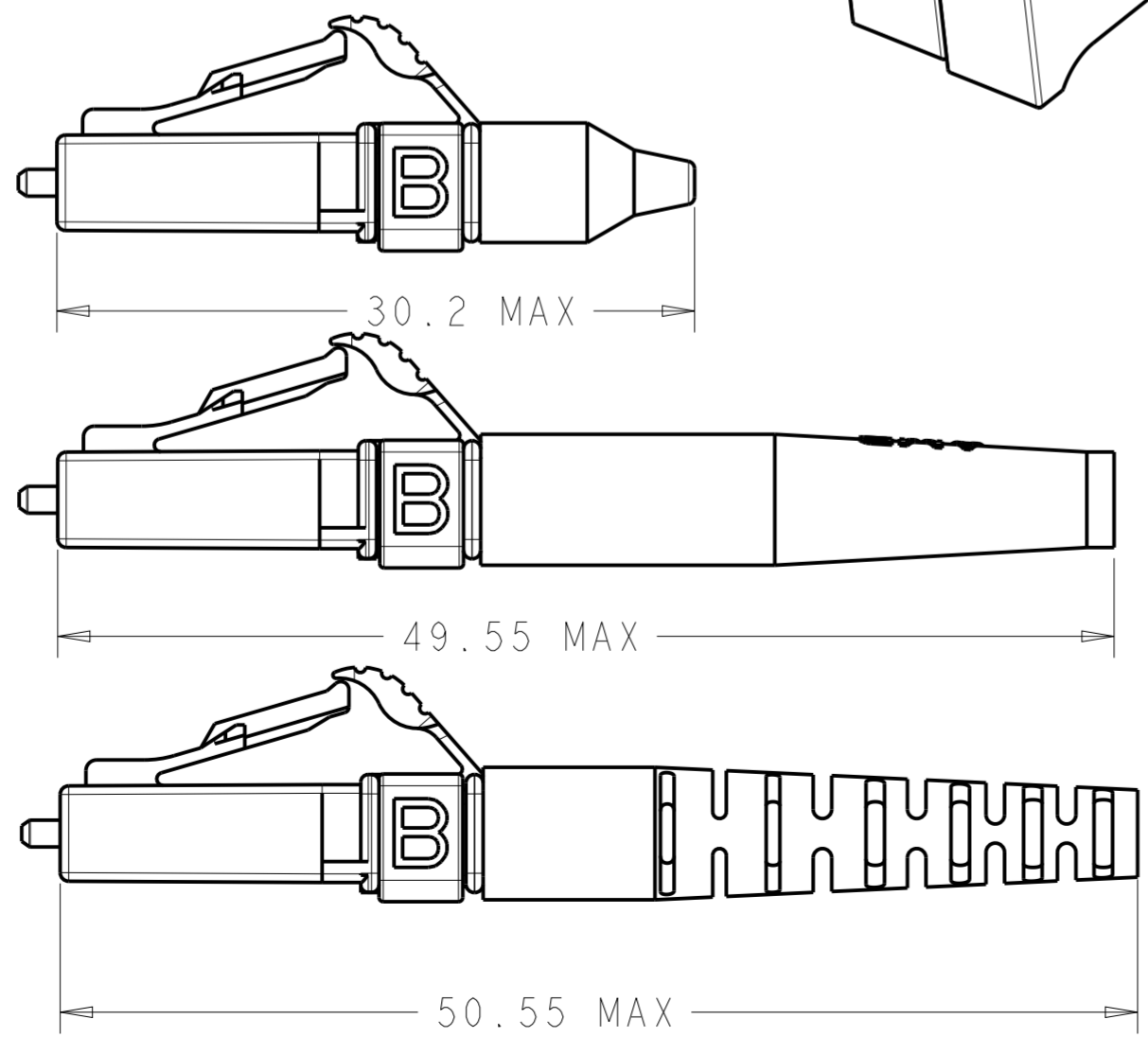
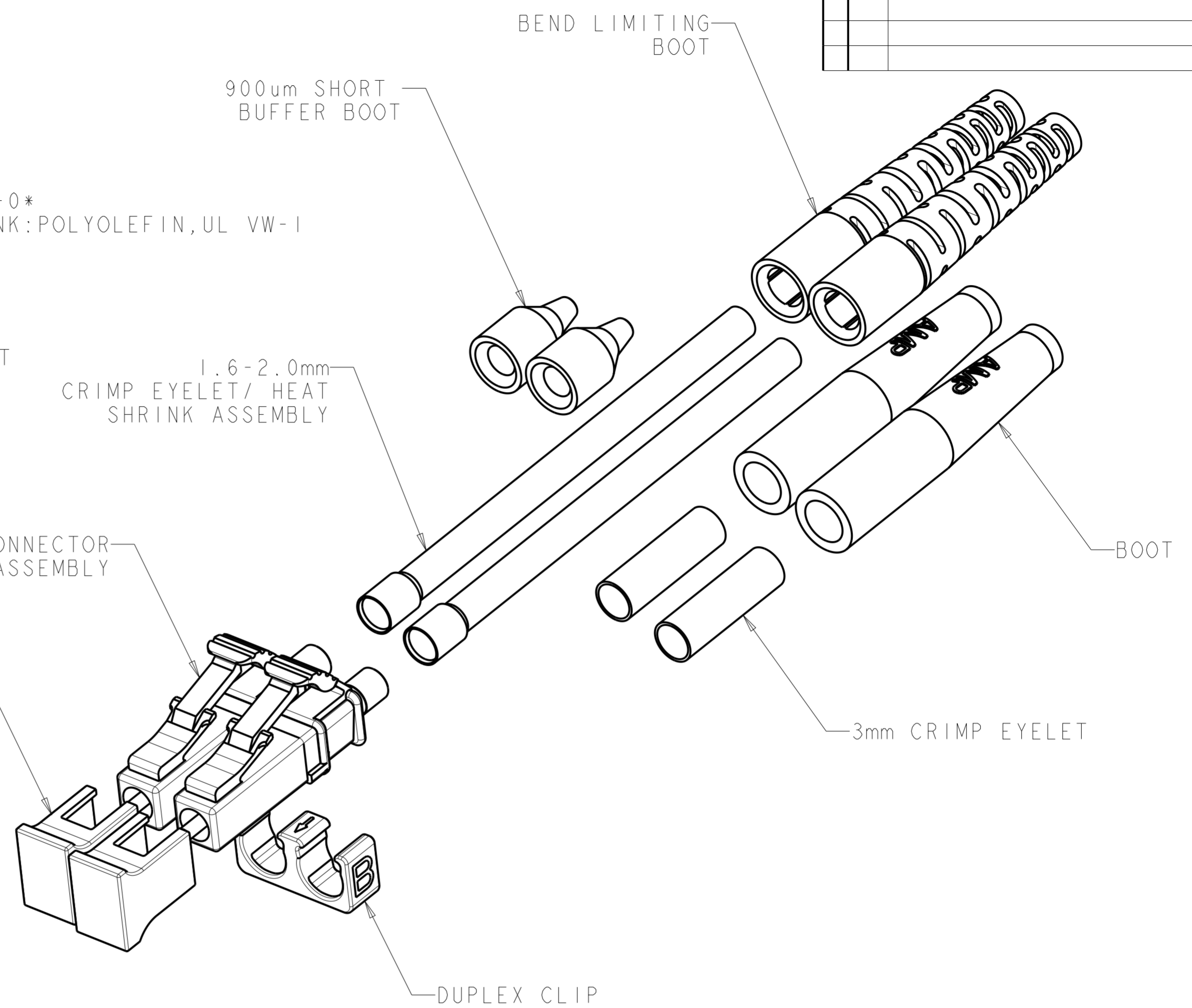


THIS DRAWING IS UNPUBLISHED. RELEASED FOR PUBLICATION 20  
 © COPYRIGHT 20 BY - ALL RIGHTS RESERVED.

LOC	DIST	REVISIONS			
P	LTR	DESCRIPTION	DATE	DWN	APVD
CE	00				
	B	ECR-14-016330	10NOV2014	HZ	RZ

- ⚠ MATERIAL
- PROTECTIVE COVER: TPE, COLOR: BLACK, UL94 HB\*
  - FERRULE SUBASSEMBLY: ZIRCONIA/METAL
  - COMPRESSION SPRING: STAINLESS STEEL
  - FRONT HOUSING: PEI, COLOR: BLUE, UL94 V-0\*
  - INNER TUBING: PTFE, COLOR: CLEAR, UL VW-1
  - REAR BODY: METAL
  - BEND LIMITING BOOT: PP, COLOR: BLUE, UL94 V-0\*
  - BOOT AND SHORT BUFFER BOOT: TPE, COLOR: BLUE, UL94 V-0\*
  - CRIMP EYELET/HEAT SHRINK ASSY: ALUM. ALLOY, HEAT SHRINK: POLYOLEFIN, UL VW-1
  - DUPLEX CLIP: PP, COLOR: BLUE, UL94 V-0\*
  - 3mm CRIMP EYELET: NICKEL PLATED BRASS
- \*RATED AT QUALIFYING THICKNESS.

- INSTRUCTION SHEET: 408-8675 AVAILABLE FOR DOWNLOAD AT [www.tycoelectronics.com/documents](http://www.tycoelectronics.com/documents) OR [www.ampnetconnect.com/foguide](http://www.ampnetconnect.com/foguide).
- BULK PACKAGE.



DUPLEX, 3.0mm JACKETED	2-2064937-3
DUPLEX, 1.6-2.0mm JACKETED	2-2064937-2
DUPLEX, 900um BUFFERED	2-2064937-1
SIMPLEX, 3.0mm JACKETED	2064937-3
SIMPLEX, 1.6-2.0mm JACKETED	2064937-2
SIMPLEX, 900um BUFFERED	2064937-1
DESCRIPTION	PART NUMBER

THIS DRAWING IS A CONTROLLED DOCUMENT.

DWN B. BRIGGS 31MAR2009	TE Connectivity					
CHK S. MILLER 31MAR2009						
APVD D. BAECHTLE 31MAR2009						
NAME KIT, CONNECTOR, LC, SM, BULK PACK						
DIMENSIONS: mm	TOLERANCES UNLESS OTHERWISE SPECIFIED: 0 PLC ± 1 PLC ± 2 PLC ± 3 PLC ± 4 PLC ± ANGLES ± FINISH	PRODUCT SPEC - APPLICATION SPEC - WEIGHT -	SIZE A200779	CAGE CODE C-2064937	DRAWING NO G-2064937	RESTRICTED TO -
MATERIAL ⚠	CUSTOMER DRAWING	SCALE 3:1	SHEET 1	OF 1	REV B	