



Chipsmall Limited consists of a professional team with an average of over 10 year of expertise in the distribution of electronic components. Based in Hongkong, we have already established firm and mutual-benefit business relationships with customers from,Europe,America and south Asia,supplying obsolete and hard-to-find components to meet their specific needs.

With the principle of “Quality Parts,Customers Priority,Honest Operation,and Considerate Service”,our business mainly focus on the distribution of electronic components. Line cards we deal with include Microchip,ALPS,ROHM,Xilinx,Pulse,ON,Everlight and Freescale. Main products comprise IC,Modules,Potentiometer,IC Socket,Relay,Connector.Our parts cover such applications as commercial,industrial, and automotives areas.

We are looking forward to setting up business relationship with you and hope to provide you with the best service and solution. Let us make a better world for our industry!



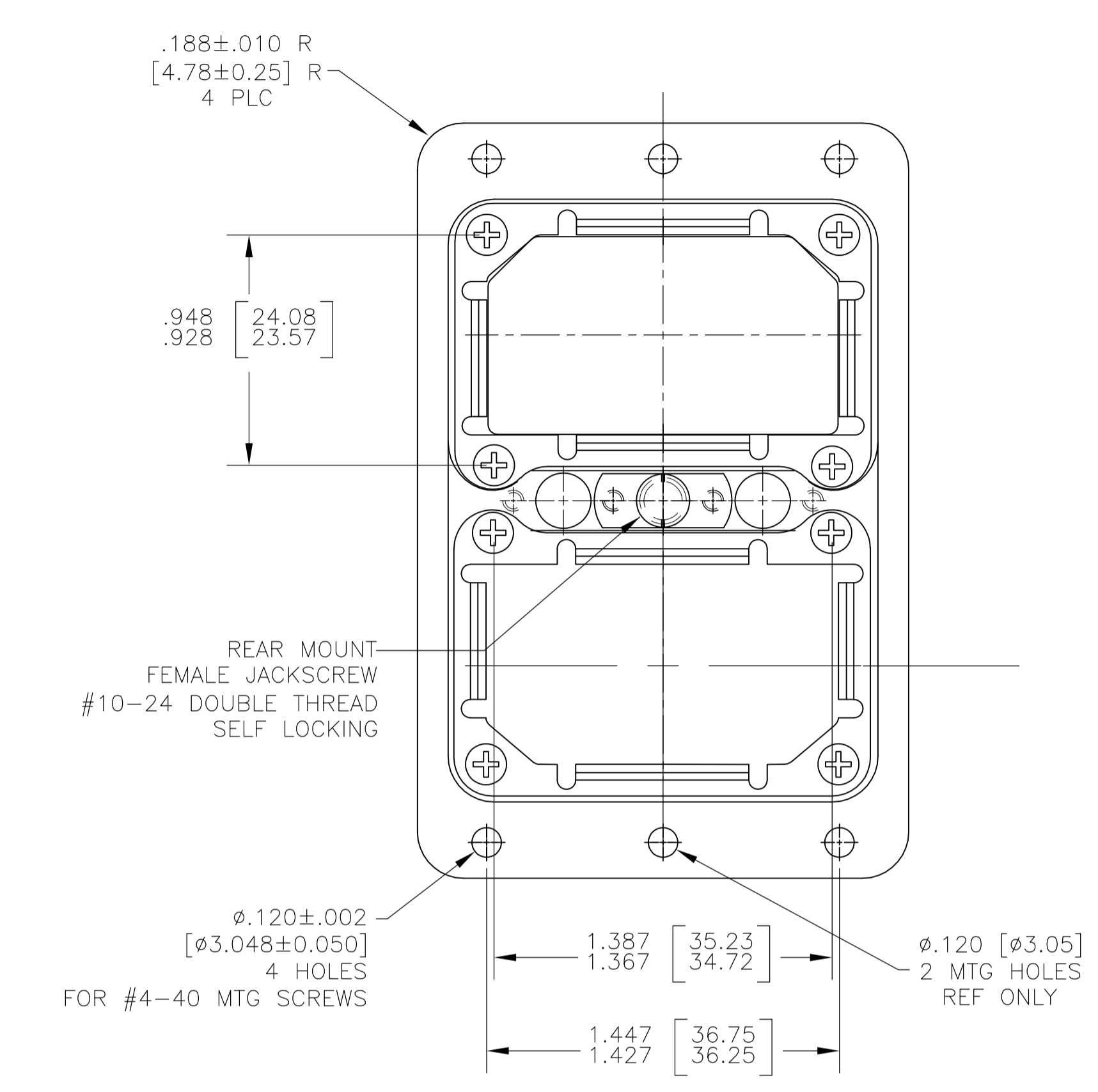
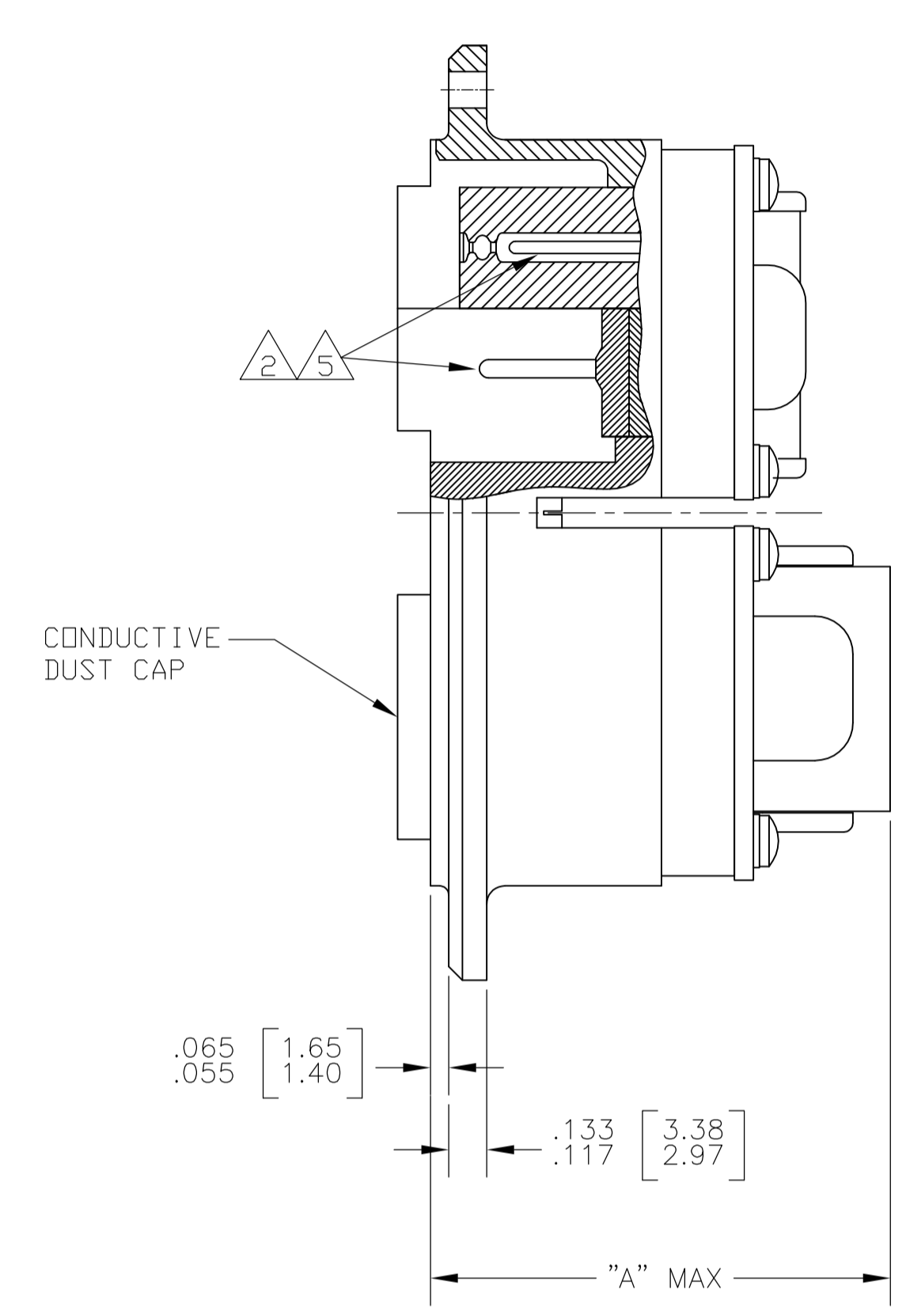
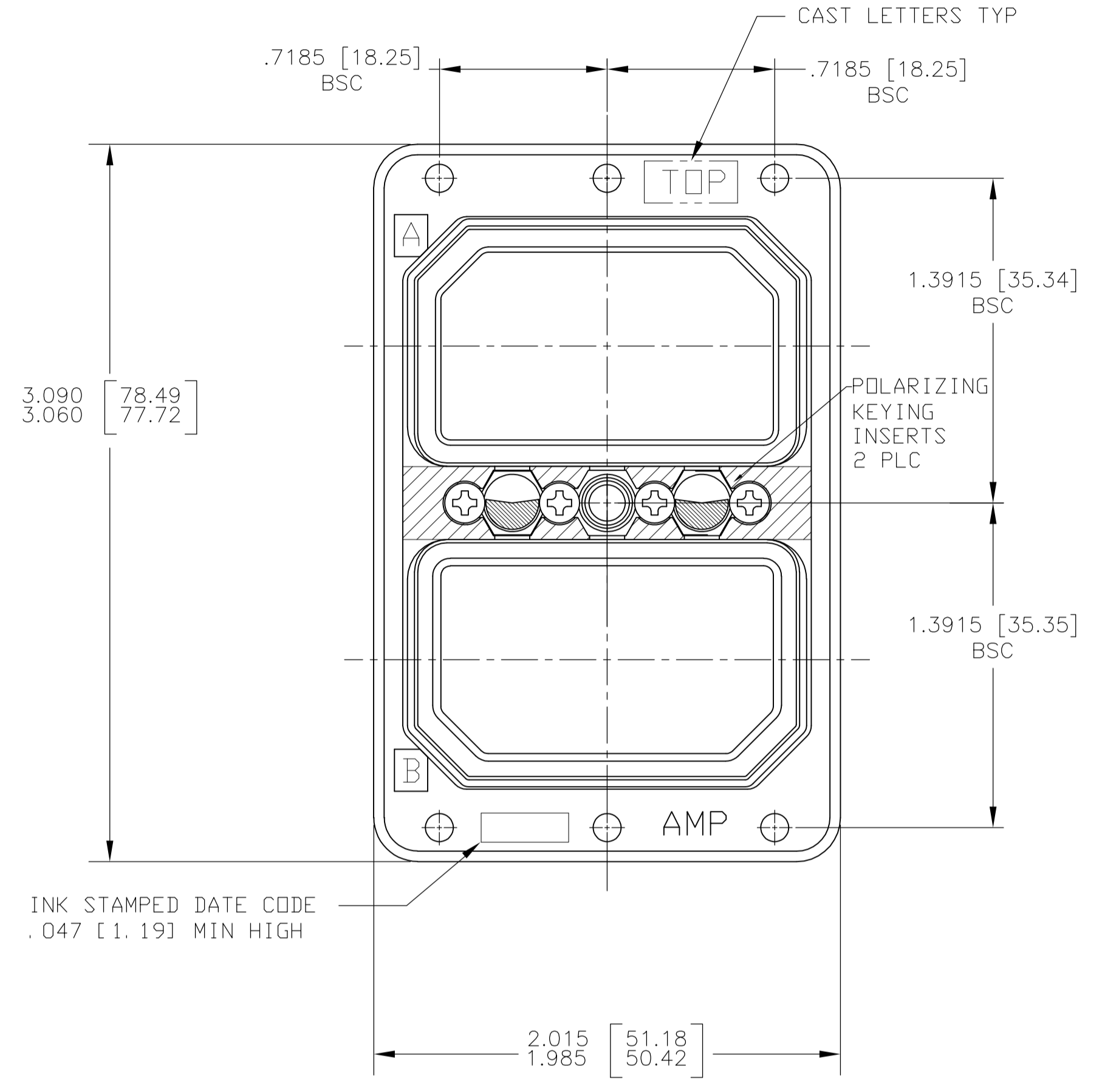
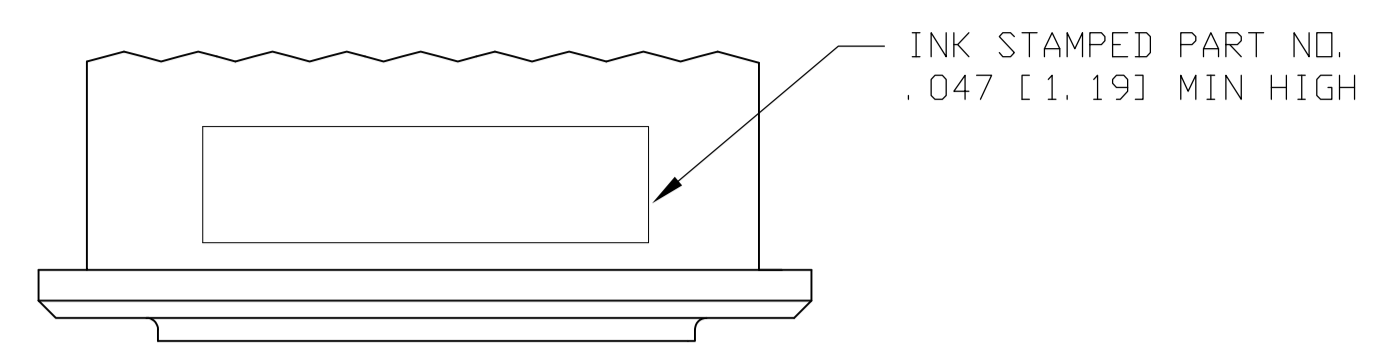
## Contact us

Tel: +86-755-8981 8866 Fax: +86-755-8427 6832

Email & Skype: info@chipsmall.com Web: www.chipsmall.com

Address: A1208, Overseas Decoration Building, #122 Zhenhua RD., Futian, Shenzhen, China





- MATERIAL AND FINISH  
SHELL: DIE CAST ALUM. ALLOY PER FED SPEC QQ-A-591  
FINISH: ELECTROLESS NICKEL PLATED PER MIL-C-26074, CLASS 1  
INSULATOR HARD: EPOXY PER MIL-M-24325; SOFT: SILICONE RUBBER  
GROMMET PROTECTORS: ALUM. ALLOY, FINISH: BLUE EPOXY  
POLARIZING KEYING INSERTS & SCREWS: STAINLESS STEEL  
FEMALE JACKSCREW: STAINLESS STEEL  
SCREWS & WASHERS: STEEL, FINISH: CAD. PLATED PER QQ-P-416  
DUST CAPS: CONDUCTIVE BLACK THERMOPLASTIC

- CONTACTS SHOWN IN POSITION FOR ILLUSTRATION ONLY, ARE INCLUDED IN A CONTAINER WITHIN CONNECTOR PACKAGE FOR SHIPMENT, EXCEPT P/N'S 1-207595-2 THRU 2-207595-1
- CONNECTOR MEETS AMP PRODUCT SPEC 108-10, 019
- COAX CONTACTS & SEALING BOOTS MUST BE ORDERED SEPARATELY

- ALL METRIC DIMENSIONS ARE SHOWN IN PARENTHESIS
- FOR MATING CONNECTOR SEE 207596
- CONNECTORS ORDERED LESS CONTACTS WILL BE MARKED WITH SAME P/N AS CONNECTORS ORDERED WITH CONTACTS

	INSERT ARRANGEMENT			
	26	32C2	67	106
"A" MAX	1.525 [38.74]	1.700 [43.18]	1.525 [38.74]	1.279 [32.49]

PART NO.	ARRANGEMENT		PART NO. <sup>8</sup> LESS CONTACTS	
	MODULE A	MODULE B		
207595-1	106P	67S	1-207595-2	
207595-2	106P	26S	1-207595-3	
207595-3	106P	106P	1-207595-4	
OBSOLETE 207595-4	106P	106S	1-207595-5	OBSOLETE
207595-5	106S	106S	1-207595-6	
207595-6	106S	26P	1-207595-7	OBSOLETE
207595-7	106S	67P	1-207595-8	OBSOLETE
OBSOLETE 207595-8	67S	67S	1-207595-9	
207595-9	106S	32C2P	2-207595-0	OBSOLETE
1-207595-0	106P	32C2S	2-207595-1	
1-207595-1	NO INSERT	NO INSERT	-	

THIS DRAWING IS A CONTROLLED DOCUMENT.

APPROVED: J. MARKEY  
DATE: 3-25-02

TE Connectivity

RECEPTACLE CONNECTOR INSTALLATION (WITH CENTER FEMALE JACKSCREW)

SIZE: A1  
SCALE: 2:1  
SHEET: 1 OF 1