



Chipsmall Limited consists of a professional team with an average of over 10 year of expertise in the distribution of electronic components. Based in Hongkong, we have already established firm and mutual-benefit business relationships with customers from,Europe,America and south Asia,supplying obsolete and hard-to-find components to meet their specific needs.

With the principle of “Quality Parts,Customers Priority,Honest Operation,and Considerate Service”,our business mainly focus on the distribution of electronic components. Line cards we deal with include Microchip,ALPS,ROHM,Xilinx,Pulse,ON,Everlight and Freescale. Main products comprise IC,Modules,Potentiometer,IC Socket,Relay,Connector.Our parts cover such applications as commercial,industrial, and automotives areas.

We are looking forward to setting up business relationship with you and hope to provide you with the best service and solution. Let us make a better world for our industry!



Contact us

Tel: +86-755-8981 8866 Fax: +86-755-8427 6832

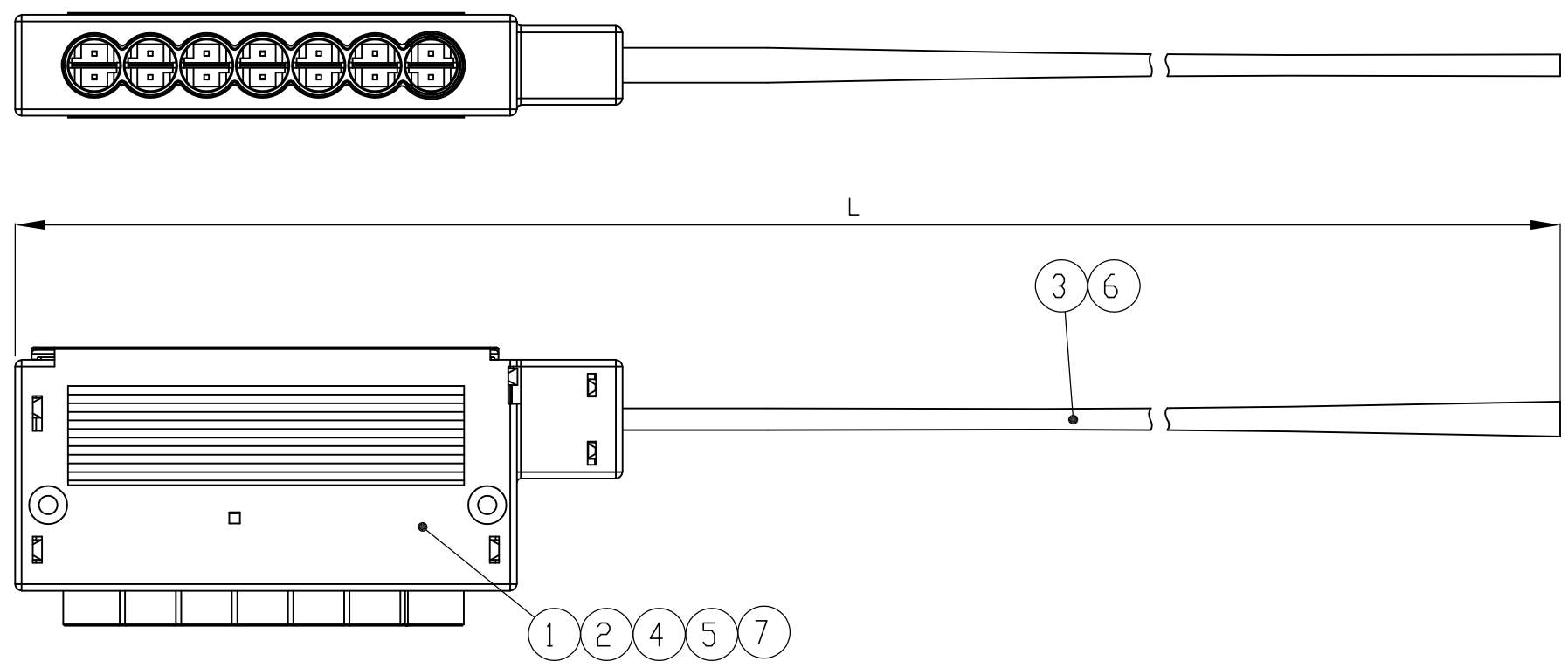
Email & Skype: info@chipsmall.com Web: www.chipsmall.com

Address: A1208, Overseas Decoration Building, #122 Zhenhua RD., Futian, Shenzhen, China



THIS DRAWING IS UNPUBLISHED. RELEASED FOR PUBLICATION
 © COPYRIGHT - By - ALL RIGHTS RESERVED.

LOC	DIST	REVISIONS					
		P	LTR	DESCRIPTION	DATE	DWN	APVD
			A	INITIAL DRAWING	27JAN2010	TB	SED
			B	CABLE ITEM 6 AND NOTE 1 CHANGED	22JAN2015	TB	GA



WIRE SCHEDULE:
 Belegungsplan:

CONNECTOR	COLOR FARBE
PHASE/+	BROWN/BRAUN
NEUTRAL/-	BLUE/BLAU

LENGTH SCHEDULE:
 Laengentabelle:

TE Part No.	REV.	LENGTH L (mm)	TOL.	CABLE COLOR
1-2083041-1	A	1000	±20	black
1-2083041-2	B	1000	±20	white
2-2083041-1	A	1000	±20	black
2-2083041-2	B	1000	±20	white

NOTES

- 1 PACKAGING:
 ASSEMBLIES PACKED IN TE STANDARD BOXES WITH INTERMEDIATE LAYERS OF CORRUGATED PAPER OR PAPER STUFFING.
 BUNDLE EVERY 25 ASSEMBLIES WITH A RUBBER BAND.
- 2 100% ELECTRICAL TEST ACCORDING TE SPECIFICATION 108-18857. 3.1.1

BEMERKUNGEN

- 1 VERPACKUNG:
 ASSEMBLIES IN TE STANDARDKARTON MIT ZWISCHENLAGEN (WELLPAPPE ODER PAPIERPOLSTERKISSEN) VERPACKT.
 25 KABEL MIT EINEM GUMMIBAND GEBÜNDELT.
- 2 100% ELEKTRISCHE PRUEFUNG NACH TE SPEZIFIKATION 108-18857. 3.1.1

1	1	1	1	Coding ring	7
see table	-	see table	-	H03VVH2-F 2x0.75mm ² , white	6
1	-	1	-	Cover, white	5
1	1	-	-	7 pos. distributor, yellow LV-2	4
-	see table	-	see table	H03VVH2-F 2x0.75mm ² , black	3
-	1	-	1	Cover, black	2
-	-	1	1	7 pos. distributor, light grey LV-1	1
QTY	QTY	QTY	QTY	DESCRIPTION	ITEM NO.
2 - 22	- 11	1 - 2	1 - 1		

THIS DRAWING IS A CONTROLLED DOCUMENT.		DWN T.BURZYNSKI 27JAN2010	TE Connectivity Cable Assembly Mini HVL 7 Way Distri to pigtail				
DIMENSIONS: mm		CHK S.SEDLAKOWA 27JAN2010					
		APVD G.LINDEMAN 27JAN2010					
TOLERANCES UNLESS OTHERWISE SPECIFIED:		PRODUCT SPEC					
0 PLC ± - 1 PLC ± - 2 PLC ± - 3 PLC ± - 4 PLC ± - ANGLES ± -		APPLICATION SPEC	SIZE	CAGE CODE	DRAWING NO	RESTRICTED TO	
MATERIAL		FINISH	WEIGHT	A3	00779	C-2083041	-
CUSTOMER DRAWING			SCALE	NTS	SHEET	1 OF 1	REV
							B