



Chipsmall Limited consists of a professional team with an average of over 10 year of expertise in the distribution of electronic components. Based in Hongkong, we have already established firm and mutual-benefit business relationships with customers from,Europe,America and south Asia,supplying obsolete and hard-to-find components to meet their specific needs.

With the principle of "Quality Parts,Customers Priority,Honest Operation,and Considerate Service",our business mainly focus on the distribution of electronic components. Line cards we deal with include Microchip,ALPS,ROHM,Xilinx,Pulse,ON,Everlight and Freescale. Main products comprise IC,Modules,Potentiometer,IC Socket,Relay,Connector.Our parts cover such applications as commercial,industrial, and automotives areas.

We are looking forward to setting up business relationship with you and hope to provide you with the best service and solution. Let us make a better world for our industry!



Contact us

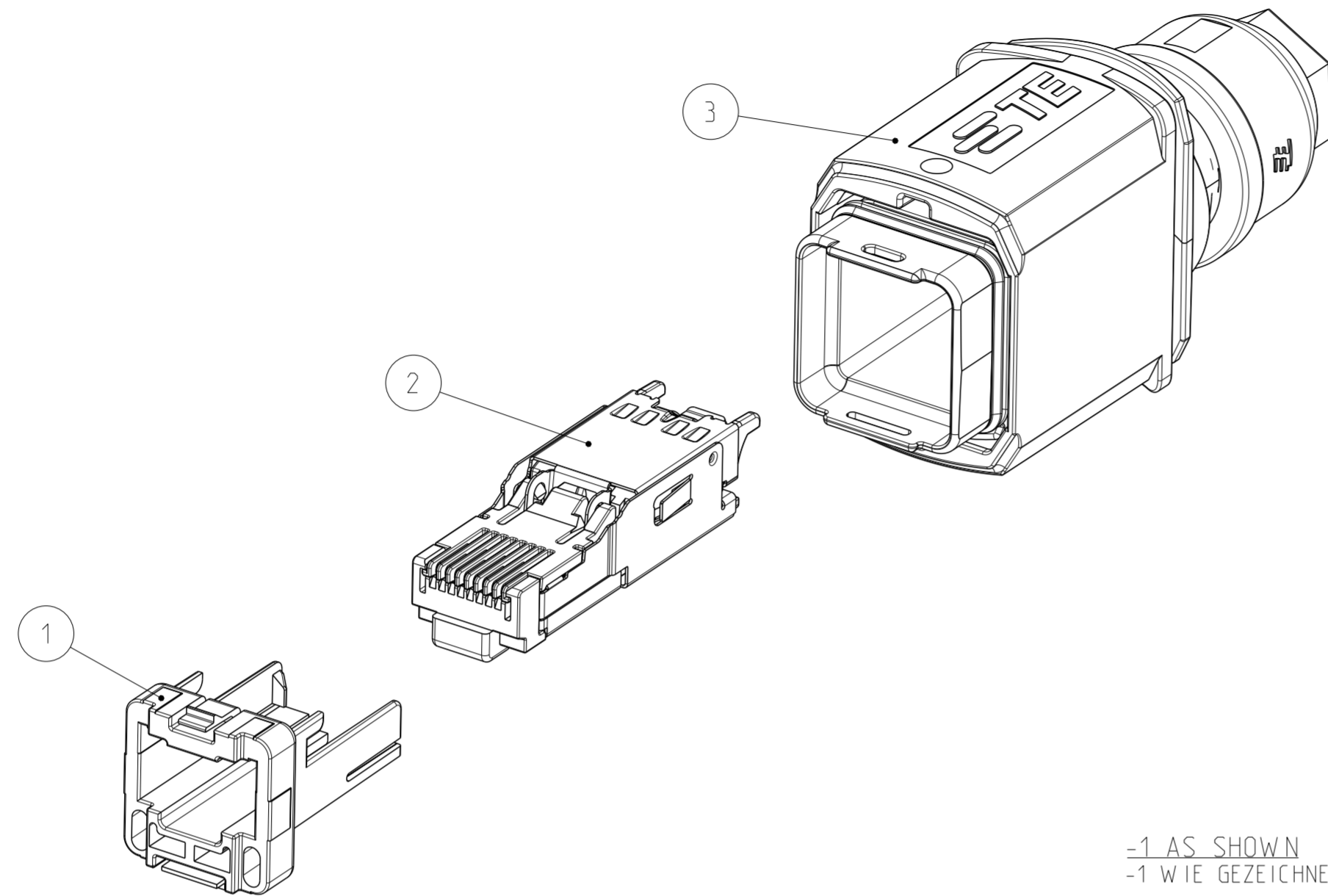
Tel: +86-755-8981 8866 Fax: +86-755-8427 6832

Email & Skype: info@chipsmall.com Web: www.chipsmall.com

Address: A1208, Overseas Decoration Building, #122 Zhenhua RD., Futian, Shenzhen, China



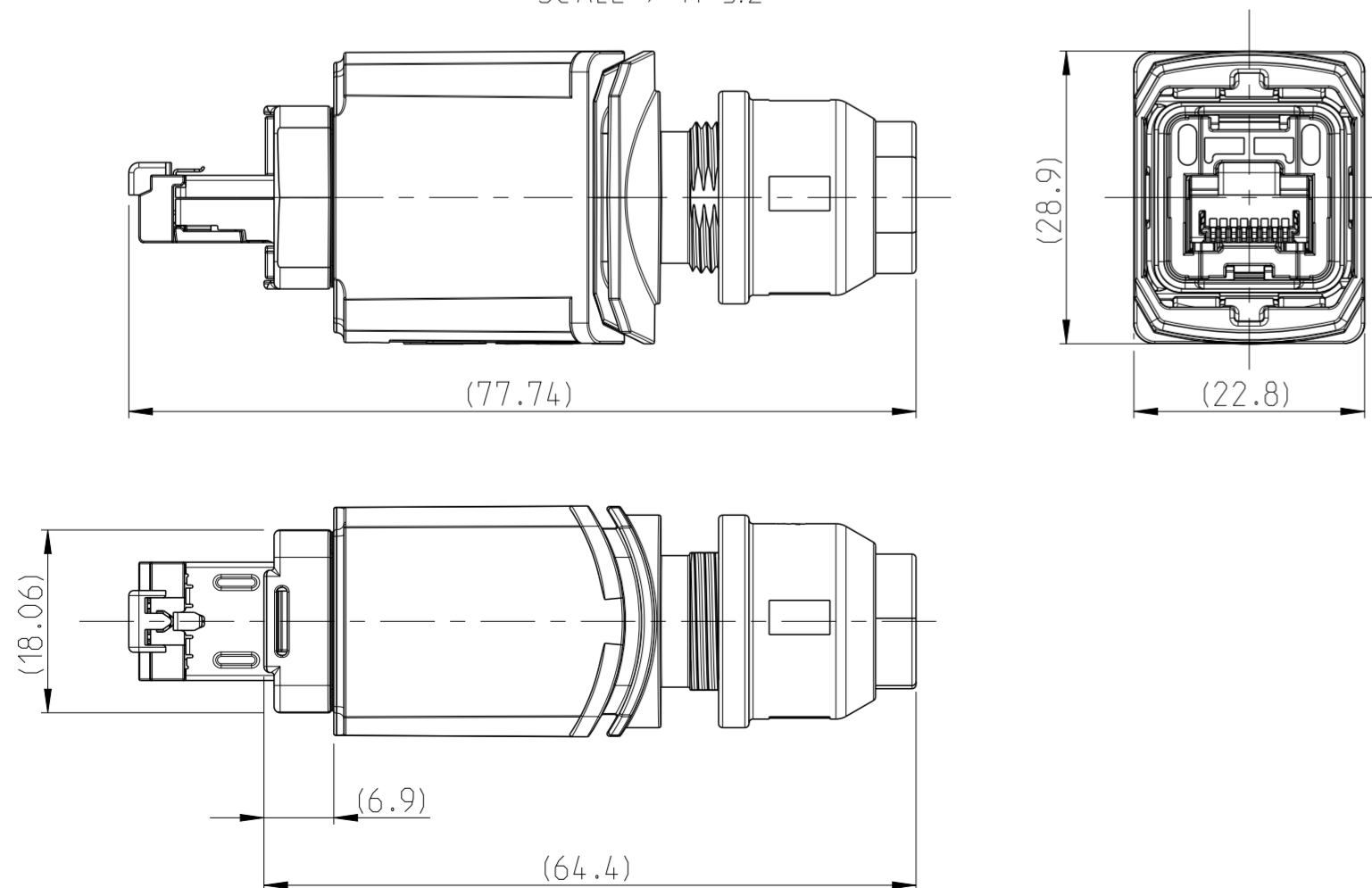
P	LTR	DESCRIPTION	DATE	DWN	APVD
	A1	DRAWING ACTIVATED	18JUN2014	ER	CS
	A2	VARIANT 1--1 ADDED	29MAR2016	ER	MS



-1 AS SHOWN
-1 WIE GEZEICHNET

- ⚠ MOUNTING-CYCLE:
- APPLICATION SEE INSTRUCTION SHEET 411-18564
- 2 PACKAGING:
- CONNECTOR SET PACKED INTO BLISTER PACKAGE.
- BLISTER PACKAGE PACKED INTO CARTON
- 3 RJ45 APPLICATION ACC. IEC 60076-3-117 AND INTERFACE DIM.
- ⚠ NOT SHOWN
- ⚠ MONTAGE:
- VERARBEITUNG SIEHE MONTAGEANWEISUNG 411-18564
- 2 VERPACKUNG:
- STECKER SET IN BLISTERVERPACKUNG VERPACKT
- BLISTERVERPACKUNG TRAY IN KARTON VERPACKT
- 3 RJ45 ANWENDUNG NACH IEC 60076-3-117 UND SCHNITTSTELLENMASSE
- ⚠ NICHT DARGESTELLT

DIMENSION IN ASSEMBLED CONDITION
MASSE IM ASSEMBLIERTEN ZUSTAND
SCALE / M 3:2



Size ISO 14405 (E)

QUANTITY STUECK	ITEM-NO. POS.	DESCRIPTION BENENNUNG	SURFACE OBERFLAECHE	MATERIAL
-	-	2120864-1	TE ORDER-NO. BESTELL-NR.	
-	1	5 BLISTER PACKAGE BLISTERVERPACKUNG	-	-
-	1	4 INSTRUCTION SHEET MONTAGEANWEISUNG	-	-
-	1	3 PUSH PULL, SUB-ASSY PUSH PULL, SUB-ASSY	3-5 μm Ni OVER 8 μm Cu	ZP04.10 DIN 12833
-	1	2 COMMON CORE ASSY 8POS.. GIGABIT GEM. KERN ASSY 8POL.. GIGABIT	-	-
-	1	1 ADAPTER RJ45, CAT5e PLUG, VARIANTE 14 ADAPTER RJ45, CAT5e STECKER, VARIANTE 14	BLACK SCHWARZ	PBT-GF20

THIS DRAWING IS A CONTROLLED DOCUMENT. DIMENSIONING AND TOLERANCING PER GPS (ISO STANDARDS). DIMENSIONS: MASSE IN EINHEITEN: (MM). TOLERANCES UNLESS OTHERWISE SPECIFIED: ALLGEMEINTOLERANZEN. 0 PLC ±0.2, 1 PLC ±0.2, 2 PLC ±0.2, 3 PLC ±, 4 PLC ±, ANGLES/WINKEL ±2°, FINISH/OBERFLAECHE/FARBE.

DWN S. HASS 20SEP2013, CHK M. STRELOW 20SEP2013, APVD C. SCHRETTLINGER 20SEP2013. PRODUCT SPEC: 108-94207. APPLICATION SPEC: -.

WEIGHT: 78.6g. Customer Drawing. SCALE: 2:1. SHEET: 1 OF 5. REV: A2.

TE Connectivity logo and name. NAME: VARIANT 14, PLUG METAL VARIANTE 14, PLUG METALL RJ45, CAT5e, 8POS. GIGABIT. DRAWING NO: C-2120864.

4

3

2

1

THIS DRAWING IS UNPUBLISHED
VERTRÄULICHE UNVERÖFFENTLICHTE ZEICHNUNG

RELEASED FOR PUBLICATION
FREI FÜR VERÖFFENTLICHUNG

2014

MATED WITH:
PASSEND ZU:

© COPYRIGHT 2014 Tyco Electronics AMP GmbH

ALL RIGHTS RESERVED.
ALLE RECHTE VORBEHALTEN.

PROJEKT NR.:
PRJ-13-000001658

P	LTR	DESCRIPTION BESCHREIBUNG	DATE	DWN	APVD
-	-	SEE SHEET 1	-	-	-

1--1 AS SHOWN
1--1 WIE GEZEICHNET

1 MOUNTING-CYCLE:
- APPLICATION SEE INSTRUCTION SHEET 411-18566

2 PACKAGING:
- CONNECTOR SET PACKED INTO BLISTER PACKAGE.
- BLISTER PACKAGE PACKED INTO CARTON

3 RJ45 APPLICATION ACC. IEC 60076-3-117 AND INTERFACE DIM.

4 NOT SHOWN

1 MONTAGE:
- VERARBEITUNG SIEHE MONTAGEANWEISUNG 411-18566

2 VERPACKUNG:
- STECKER SET IN BLISTERVERPACKUNG VERPACKT
- BLISTERVERPACKUNG TRAY IN KARTON VERPACKT

3 RJ45 ANWENDUNG NACH IEC 60076-3-117 UND SCHNITTSTELLENMASSE

4 NICHT DARGESTELLT

DIMENSION IN ASSEMBLED CONDITION
MASSE IM ASSEMBLIERTEN ZUSTAND
SCALE / M 3:2

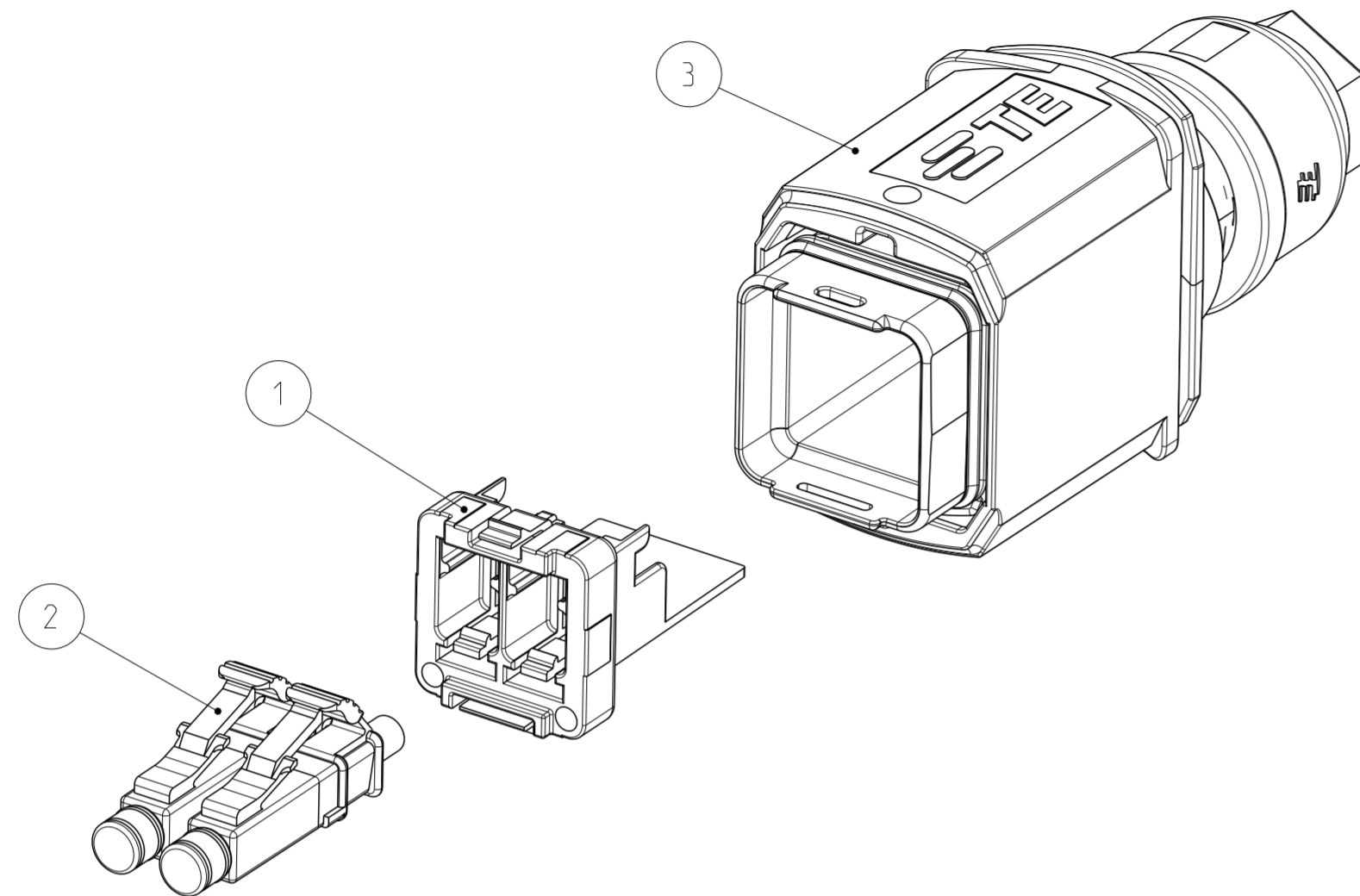
Size ISO 14405 (E)

QUANTITY STUECK	ITEM-NO. POS.	DESCRIPTION BENENNUNG	SURFACE OBERFLAECHE COLOUR/FARBE	MATERIAL
-	-	1-2120864-1	TE ORDER-NO. BESTELL-NR.	
-	5	BLISTER PACKAGE BLISTERVERPACKUNG		
-	4	INSTRUCTION SHEET MONTAGEANWEISUNG		
-	3	PUSH PULL, SUB-ASSY PUSH PULL, SUB-ASSY	3-5 µm Ni OVER 8 µm Cu	ZP04.10 DIN 12833
-	2	COMMON CORE ASSY 8POS.. CAT6A GEM. KERN ASSY 8POL.. CAT6A		
-	1	ADAPTER RJ45, CAT6A PLUG, VARIANTE 14 ADAPTER RJ45, CAT6A STECKER, VARIANTE 14	BLACK SCHWARZ	PBT-GF20

THIS DRAWING IS A CONTROLLED DOCUMENT. DIMENSIONING AND TOLERANCING PER GPS (ISO STANDARDS)		DWN S. HASS 20SEP2013	<p>TE Connectivity</p>																			
DIMENSIONS: MASSEINHEITEN: (MM)		CHK M. STRELOW 20SEP2013																				
TOLERANCES UNLESS OTHERWISE SPECIFIED: ALLGEMEINTOLERANZEN		APVD C. SCHRETTLINGER 20SEP2013																				
<table border="1"> <tr> <td>0 PLC</td> <td>±0.2</td> </tr> <tr> <td>1 PLC</td> <td>±0.2</td> </tr> <tr> <td>2 PLC</td> <td>±0.2</td> </tr> <tr> <td>3 PLC</td> <td>±</td> </tr> <tr> <td>4 PLC</td> <td>±</td> </tr> <tr> <td colspan="2">ANGLES/WINKEL ±2°</td> </tr> <tr> <td colspan="2">FINISH/OBERFLAECHE/FARBE</td> </tr> </table>		0 PLC		±0.2	1 PLC	±0.2	2 PLC	±0.2	3 PLC	±	4 PLC	±	ANGLES/WINKEL ±2°		FINISH/OBERFLAECHE/FARBE		<table border="1"> <tr> <td>PRODUCT SPEC PRODUKTSPEZ.</td> <td>108-94207</td> </tr> <tr> <td>APPLICATION SPEC VERARBEITUNGSSPEZ.</td> <td></td> </tr> <tr> <td>WEIGHT GEWICHT</td> <td>83.0g</td> </tr> </table>	PRODUCT SPEC PRODUKTSPEZ.	108-94207	APPLICATION SPEC VERARBEITUNGSSPEZ.		WEIGHT GEWICHT
0 PLC	±0.2																					
1 PLC	±0.2																					
2 PLC	±0.2																					
3 PLC	±																					
4 PLC	±																					
ANGLES/WINKEL ±2°																						
FINISH/OBERFLAECHE/FARBE																						
PRODUCT SPEC PRODUKTSPEZ.	108-94207																					
APPLICATION SPEC VERARBEITUNGSSPEZ.																						
WEIGHT GEWICHT	83.0g																					
MATERIAL		NAME VARIANT 14, PLUG METAL VARIANTE 14, PLUG METALL RJ45, CAT6A, 8POS.	SIZE A2																			
		CAGE CODE 00779	DRAWING NO. ZEICHNUNGS-NR. C-2120864																			
		Customer Drawing	RESTRICTED TO NUR FÜR -																			
		/KUNDENZEICHNUNG	SCALE MASSSTAB 2:1																			
			SHEET BLATT 2 OF 5																			
			REV A2																			

1471-9 (3/13)

P	LTR	REVISIONS ÄNDERUNGEN	DESCRIPTION BESCHREIBUNG	DATE	DWN	APVD
-	-	SEE SHEET 1		-	-	-

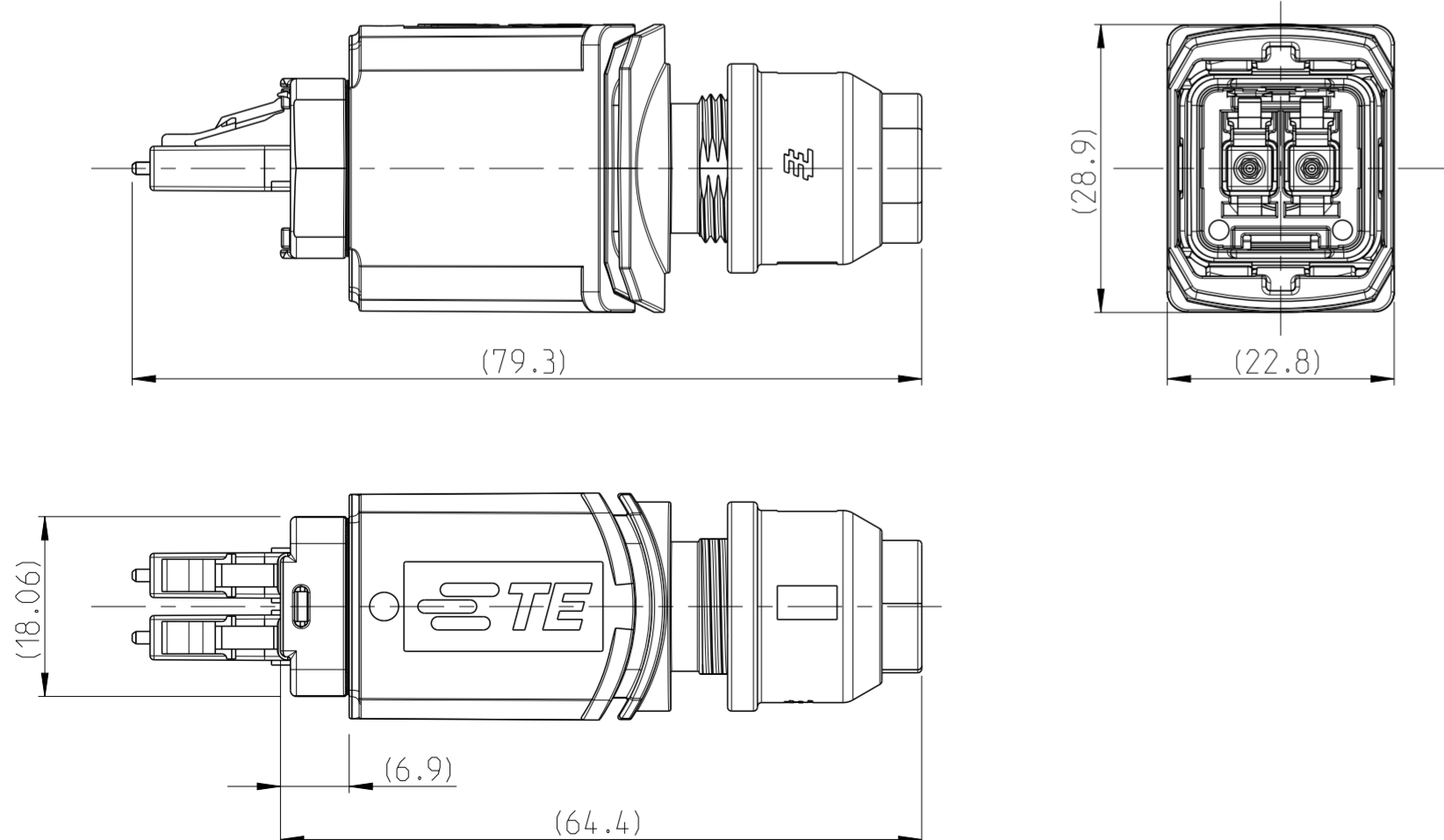


- 1 MOUNTING-CYCLE:
- APPLICATION SEE INSTRUCTION SHEET 411-18565
- 2 PACKAGING:
- CONNECTOR SET PACKED INTO BLISTER PACKAGE
- BLISTER PACKAGE PACKED INTO CARTON
- 3 CONNECTOR APPLICATION ACC. INSTRUCTION SHEET 408-8925
- 4 NOT SHOWN

- 1 MONTAGE:
- VERARBEITUNG SIEHE MONTAGEANWEISUNG 411-18565
- 2 VERPACKUNG:
- STECKER SET IN BLISTERVERPACKUNG VERPACKT
- BLISTERVERPACKUNG IN KARTON VERPACKT
- 3 STECKVERBINDER MONTAGE NACH ARBEITSANWEISUNG 408-8925
- 4 NICHT DARGESTELLT

2--1 AS SHOWN
2--1 WIE GEZEICHNET

DIMENSION IN ASSEMBLED CONDITION
MASSE IM ASSEMBLIERTEN ZUSTAND
SCALE / M 3:2

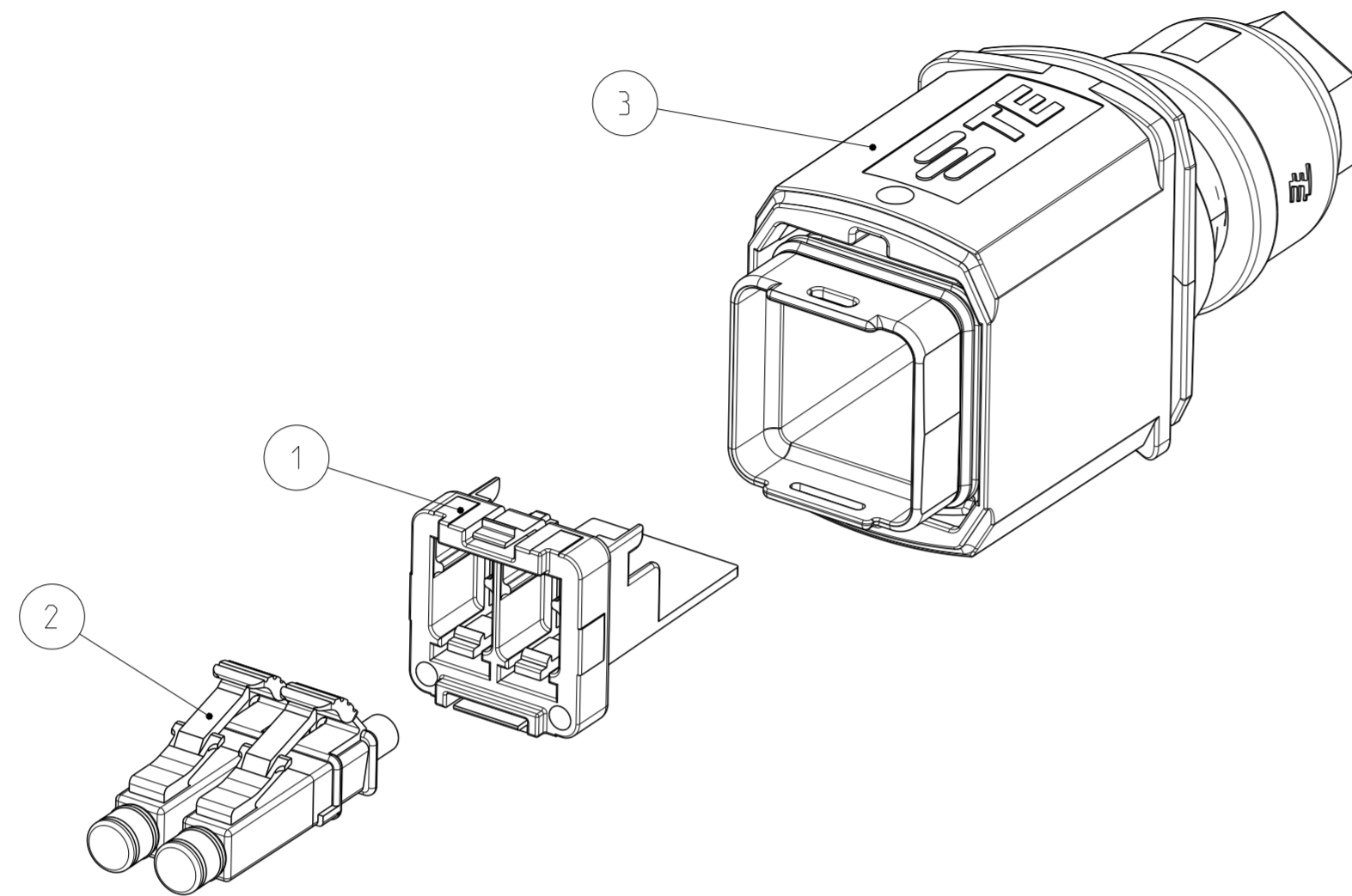


Size ISO 14405 (E)

QUANTITY STÜCK		ITEM-NO. POS.	DESCRIPTION BENENNUNG	SURFACE OBERFLÄCHE COLOUR/FARBE	MATERIAL
-	-	1	5 BLISTER PACKAGE BLISTERVERPACKUNG	-	-
-	-	1	4 INSTRUCTION SHEET MONTAGEANWEISUNG	-	-
-	-	1	3 PUSH PULL, SUB-ASSY PUSH PULL, SUB-ASSY	3-5 µm Ni OVER 8 µm Cu	ZP0410 DIN 12833
-	-	2	2 CONNECTOR ASSEMBLY ONE-PIECE LC. SINGLE MODE GLASFASERVERBINDER, LC, SINGLEMODE	BLUE BLAU	-
-	-	1	1 ADAPTER FIBER OPTIC PLUG, VARIANT 14 ADAPTER FIBER OPTIC STECKER, VARIANTE 14	BLACK SCHWARZ	PBT-GF20

THIS DRAWING IS A CONTROLLED DOCUMENT. DIMENSIONING AND TOLERANCING PER GPS (ISO STANDARDS)		DWN S. HASS 20SEP2013	 TE Connectivity
DIMENSIONS: MASSEINHEITEN: (MM)		CHK M. STRELOW 20SEP2013	
TOLERANCES UNLESS OTHERWISE SPECIFIED: ALLGEMEINTOLERANZEN		APVD C. SCHRETTLINGER 20SEP2013	
0 PLC ±0.2 1 PLC ±0.2 2 PLC ±0.2 3 PLC ± 4 PLC ± ANGLES/WINKEL ±2° FINISH/OBERFLÄCHE/FARBE		NAME VARIANT 14, PLUG METAL VARIANTE 14, PLUG METALL FIBER OPTIC, LC, SINGLE MODE (BLUE)	
MATERIAL		PRODUCT SPEC 108-94207	SIZE A2
WEIGHT GEWICHT		APPLICATION SPEC VERARBEITUNGSSPEZ.	CAGE CODE 00779
Customer Drawing		WEIGHT GEWICHT 74.9g	DRAWING NO. ZEICHNUNGS-NR. C-2120864
		RESTRICTED TO NUR FUER	SCALE MASSSTAB 2:1
			SHEET BLATT 3 OF 5
			REV A2

P		LTR	REVISIONS ÄNDERUNGEN	DATE	DWN	APVD
-	-	SEE SHEET 1	DESCRIPTION BESCHREIBUNG			

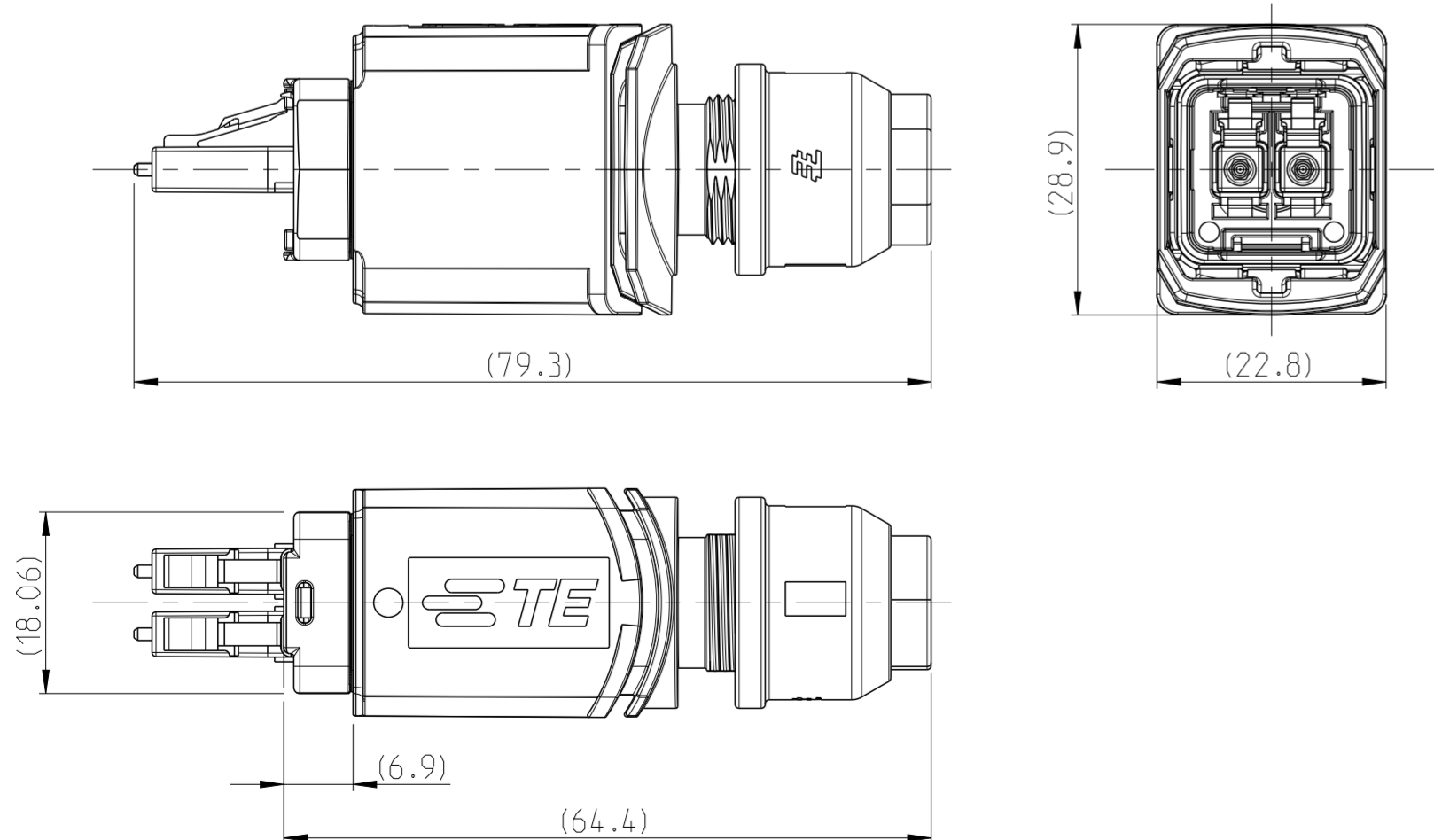


- ① MOUNTING-CYCLE:
- APPLICATION SEE INSTRUCTION SHEET 411-18565
- ② PACKAGING:
- CONNECTOR SET PACKED INTO BLISTER PACKAGE
- BLISTER PACKAGE PACKED INTO CARTON
- ③ CONNECTOR APPLICATION ACC. INSTRUCTION SHEET 408-8925
- ④ NOT SHOWN

- ① MONTAGE:
- VERARBEITUNG SIEHE MONTAGEANWEISUNG 411-18565
- ② VERPACKUNG:
- STECKER SET IN BLISTERVERPACKUNG VERPACKT
- BLISTERVERPACKUNG IN KARTON VERPACKT
- ③ STECKERVERBINDER MONTAGE NACH ARBEITSANWEISUNG 408-8925
- ④ NICHT DARGESTELLT

3--1 AS SHOWN
 3--1 WIE GEZEICHNET

DIMENSION IN ASSEMBLED CONDITION
 MASSE IM ASSEMBLIERTEN ZUSTAND
 SCALE / M 3:2

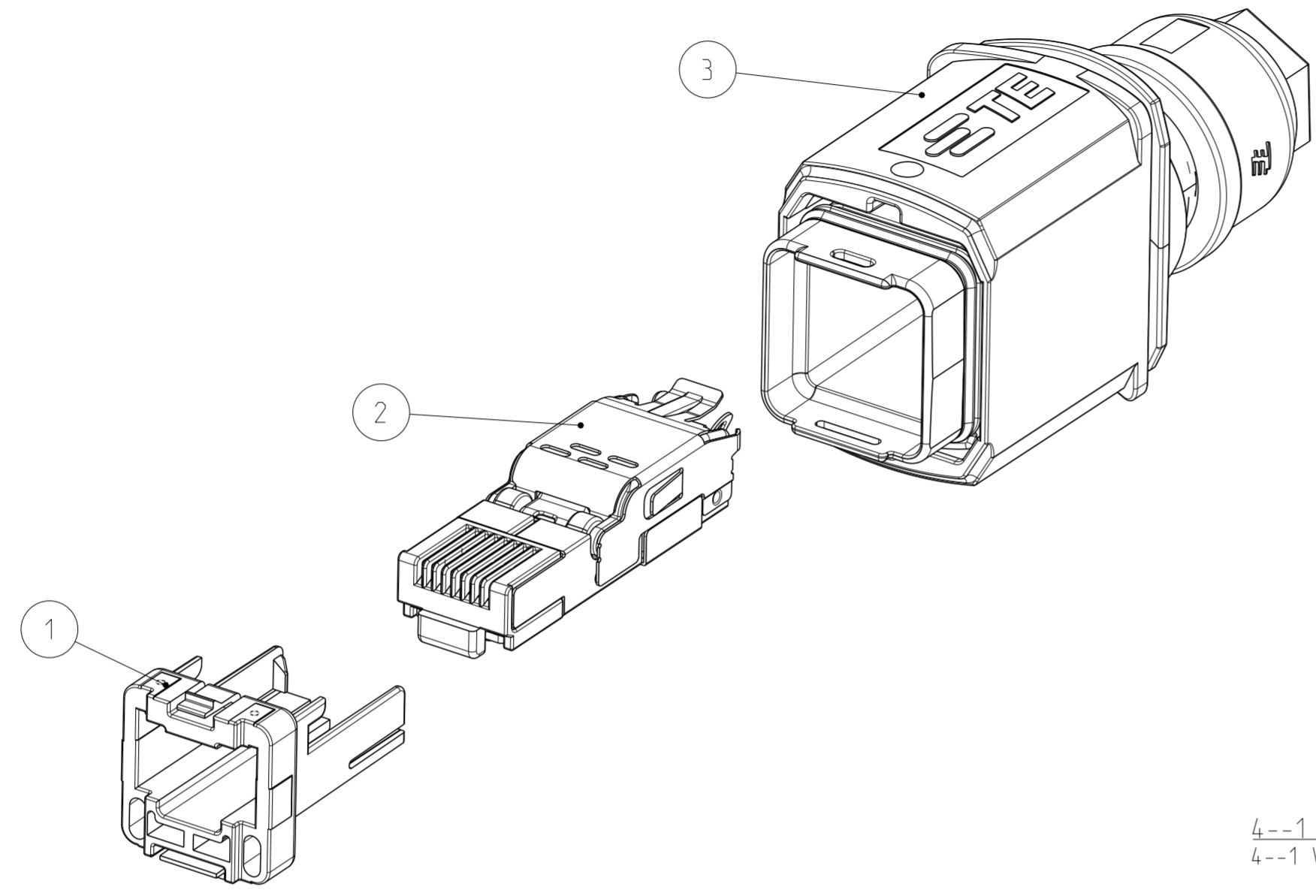


Size ISO 14405 (E)

QUANTITY STÜCK		ITEM-NO. POS.	DESCRIPTION BENENNUNG	SURFACE OBERFLÄCHE	MATERIAL
-	-	1	5 BLISTER PACKAGE BLISTERVERPACKUNG	-	-
-	-	1	4 INSTRUCTION SHEET MONTAGEANWEISUNG	-	-
-	-	1	3 PUSH PULL, SUB-ASSY PUSH PULL, SUB-ASSY	3-5 µm Ni OVER 8 µm Cu	ZP0410 DIN 12833
-	-	2	2 CONNECTOR ASSEMBLY ONE-PIECE LC, MULTI MODE GLASFASERVERBINDER, LC, MULTIMODE	BLACK SCHWARZ	-
-	-	1	1 ADAPTER FIBER OPTIC PLUG, VARIANT 14 ADAPTER FIBER OPTIC PLUG, VARIANTE 14	BLACK SCHWARZ	PBT-GF20
				SURFACE OBERFLÄCHE	MATERIAL
				COLOUR/FARBE	

THIS DRAWING IS A CONTROLLED DOCUMENT. DIMENSIONING AND TOLERANCING PER GPS (ISO STANDARDS)		DWN S. HASS 20SEP2013	 TE Connectivity
DIMENSIONS: MASSEINHEITEN: (MM)		CHK M. STRELOW 20SEP2013	
TOLERANCES UNLESS OTHERWISE SPECIFIED: ALLGEMEINTOLERANZEN		APVD C. SCHRETTLINGER 20SEP2013	
0 PLC ±0.2 1 PLC ±0.2 2 PLC ±0.2 3 PLC ± 4 PLC ± ANGLES/WINKEL ±2° FINISH/OBERFLÄCHE/FARBE		NAME VARIANT 14, PLUG METAL VARIANTE 14, PLUG METALL FIBER OPTIC, LC, MULTI MODE (BEIGE)	
MATERIAL	-	WEIGHT GEWICHT 74.9g	SIZE A2 CAGE CODE 00779 DRAWING NO. ZEICHNUNGS-NR. C-2120864 RESTRICTED TO NUR FUER -
Customer Drawing		SCALE MASSSTAB 2:1	SHEET BLATT 4 OF 5 REV A2

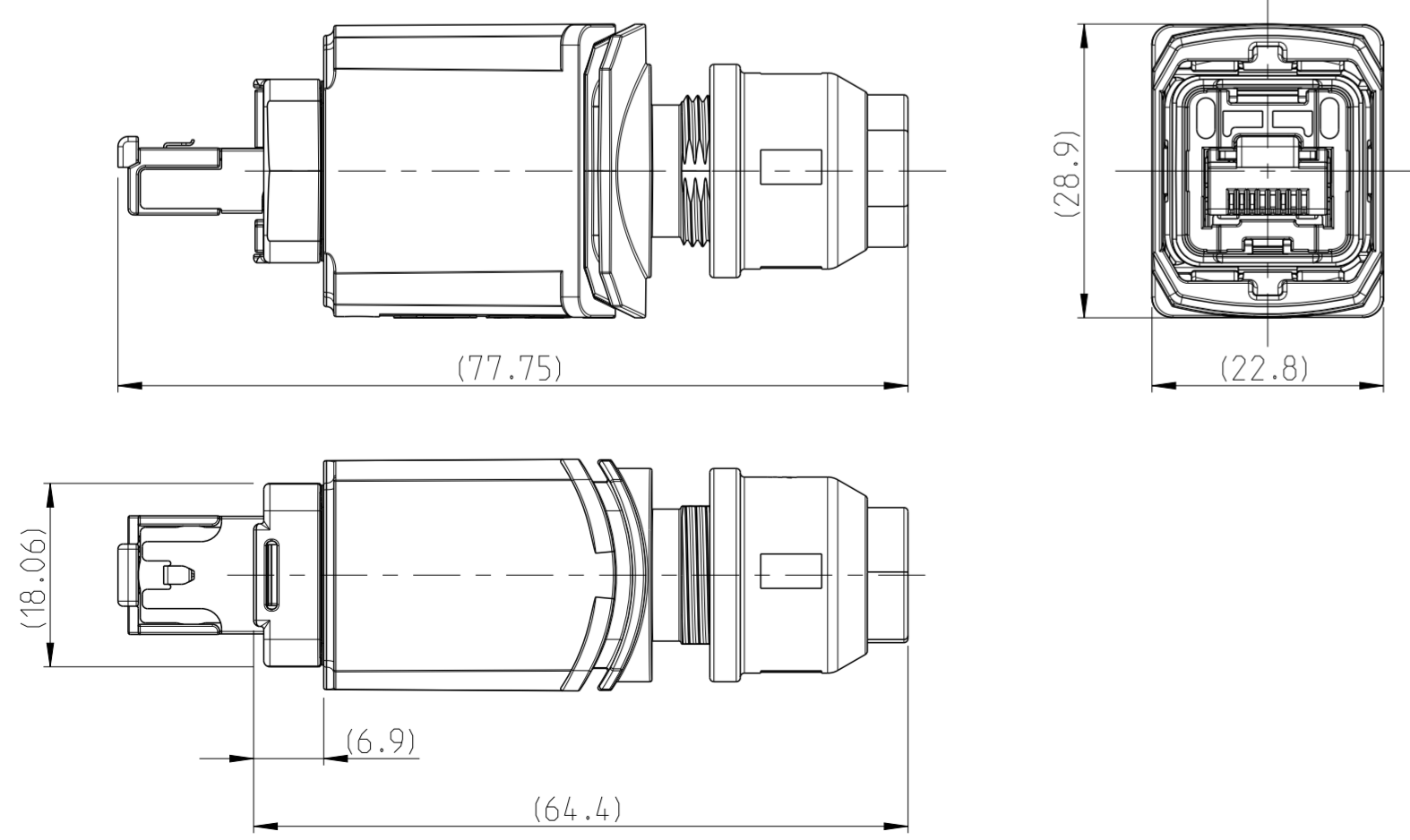
P	LTR	REVISIONS ÄNDERUNGEN DESCRIPTION BESCHREIBUNG	DATE	DWN	APVD
-	-	SEE SHEET 1	-	-	-



4--1 AS SHOWN
4--1 WIE GEZEICHNET

- 1 MOUNTING-CYCLE:
- APPLICATION SEE INSTRUCTION SHEET 411-18564
 - 2 PACKAGING:
- CONNECTOR SET PACKED INTO BLISTER PACKAGE
- BLISTER PACKAGE PACKED INTO CARTON
 - 3 RJ45 APPLICATION ACC. IEC 60076-3-117 and INTERFACE DIM.
 - 4 NOT SHOWN
-
- 1 MONTAGE:
- VERARBEITUNG SIEHE MONTAGEANWEISUNG 411-18564
 - 2 VERPACKUNG:
- STECKER SET IN BLISTERVERPACKUNG VERPACKT
- BLISTERVERPACKUNG IN KARTON VERPACKT
 - 3 RJ45 ANWENDUNG NACH IEC 60076-3-117 UND SCHNITTSTELLENMASSE
 - 4 NICHT DARGESTELLT

DIMENSION IN ASSEMBLED CONDITION
MASSE IM ASSEMBLIERTEN ZUSTAND
SCALE / M 3:2



Size ISO 14405 (E)

4-2120864-1		TE ORDER-NO. BESTELL-NR.						
-	-	1	5	BLISTER PACKAGE BLISTERVERPACKUNG	4	-	-	
-	-	1	4	INSTRUCTION SHEET MONTAGEANWEISUNG	1 4	-	-	
-	-	1	3	PUSH PULL, SUB-ASSY PUSH PULL, SUB-ASSY		3-5 µm Ni OVER 8 µm Cu	ZP0410 DIN 12833	
-	-	1	2	CORE 4POS. ASSY KERN 4POL. ASSY		-	-	
-	-	1	1	ADAPTER RJ45, CAT5e, VARIANTE 14, PLUG ADAPTER RJ45, CAT5e, VARIANTE 14, STECKER		BLACK SCHWARZ	PBT-GF20	
QUANTITY STÜCK	ITEM-NO. POS.	DESCRIPTION BENENNUNG		SURFACE OBERFLÄCHE	MATERIAL			
				COLOUR/FARBE				
THIS DRAWING IS A CONTROLLED DOCUMENT. DIMENSIONING AND TOLERANCING PER GPS (ISO STANDARDS)				DWN S. HASS 20SEP2013	STE TE Connectivity			
DIMENSIONS: MASSEINHEITEN: (MM)				CHK M. STRELOW 20SEP2013				
TOLERANCES UNLESS OTHERWISE SPECIFIED: ALLGEMEINTOLERANZEN				APVD C. SCHREITLINGER 20SEP2013				
		0 PLC ±0.2 1 PLC ±0.2 2 PLC ±0.2 3 PLC ± 4 PLC ± ANGLES/WINKEL ±2° FINISH/OBERFLÄCHE/FARBE		PRODUCT SPEC PRODUKTSPEZ. 108-94207	NAME VARIANTE 14, PLUG METAL VARIANTE 14, PLUG METALL RJ45, CAT5e, 4POS		RESTRICTED TO NUR FUER	
MATERIAL	-	WEIGHT GEWICHT	78.6g	SIZE A2	CAGE CODE 00779	DRAWING NO. ZEICHNUNGS-NR. C-2120864	-	
Customer Drawing				/KUNDENZEICHNUNG		SCALE MASSSTAB 2:1	SHEET BLATT 5 OF 5	REV A2