



Chipsmall Limited consists of a professional team with an average of over 10 year of expertise in the distribution of electronic components. Based in Hongkong, we have already established firm and mutual-benefit business relationships with customers from,Europe,America and south Asia,supplying obsolete and hard-to-find components to meet their specific needs.

With the principle of “Quality Parts,Customers Priority,Honest Operation,and Considerate Service”,our business mainly focus on the distribution of electronic components. Line cards we deal with include Microchip,ALPS,ROHM,Xilinx,Pulse,ON,Everlight and Freescale. Main products comprise IC,Modules,Potentiometer,IC Socket,Relay,Connector.Our parts cover such applications as commercial,industrial, and automotives areas.

We are looking forward to setting up business relationship with you and hope to provide you with the best service and solution. Let us make a better world for our industry!



## Contact us

Tel: +86-755-8981 8866 Fax: +86-755-8427 6832

Email & Skype: info@chipsmall.com Web: www.chipsmall.com

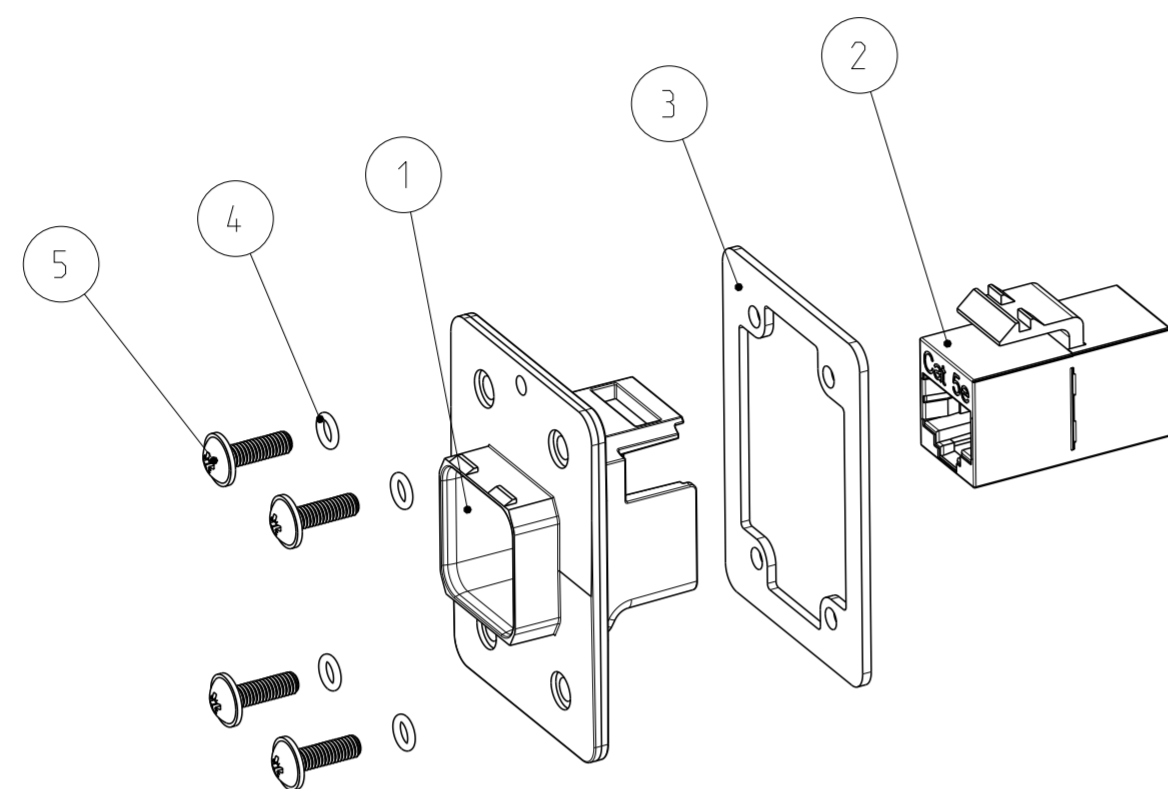
Address: A1208, Overseas Decoration Building, #122 Zhenhua RD., Futian, Shenzhen, China



Size ISO 14405 (E)

PROJEKT NR.:  
PRJ-13-000001658

REVISIONS ÄNDERUNGEN		DATE	DWN	APVD
P	LTR	DESCRIPTION BESCHREIBUNG		
A1		DRAWING ACTIVATED	ER	CS
B1		REV. PER PCN E-14-016181	ER	CS
B2		VARIANT 1--1 ADDED PER PCN E-16-004077	ER	MS

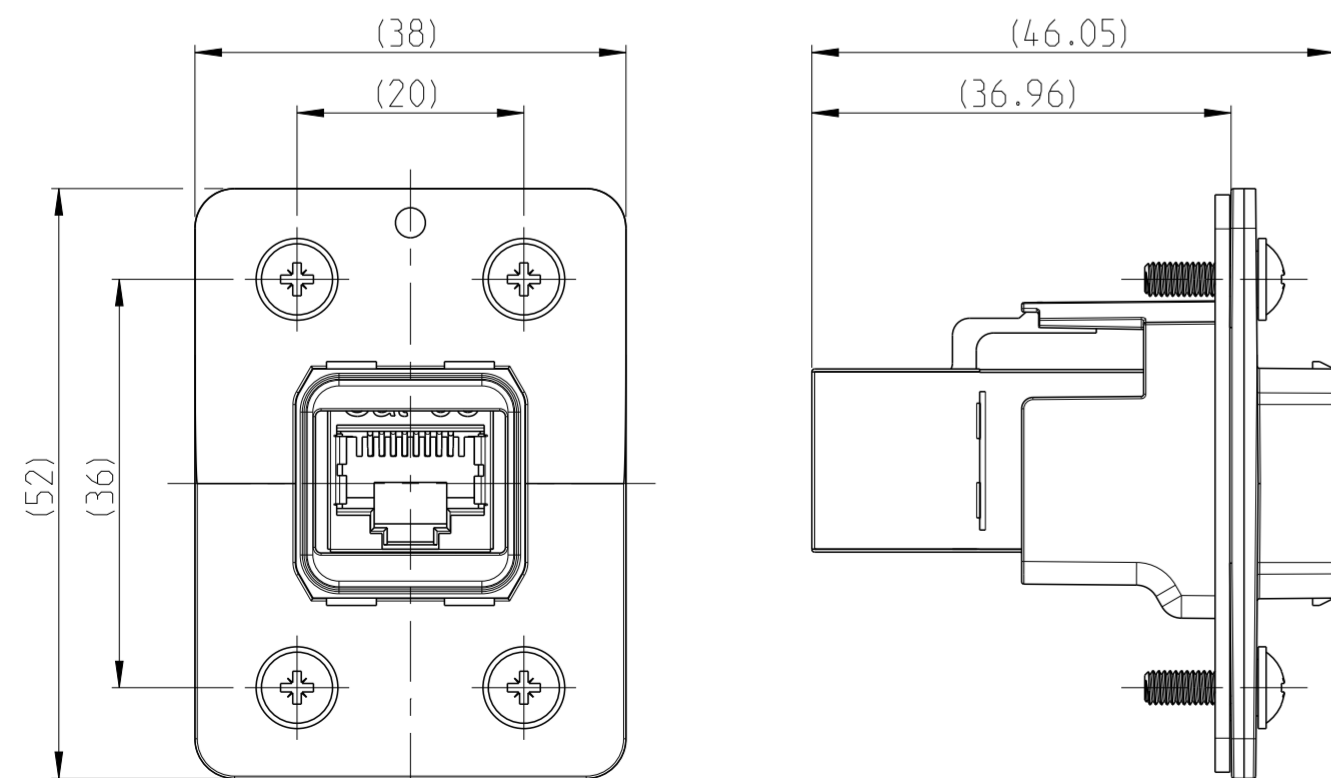


- 1 MOUNTING-CYCLE:  
- APPLICATION SEE INSTRUCTION SHEET 411-18567
- 2 PART NOT SHOWN
- 3 PACKAGING:  
- CONNECTOR SET PACKED INTO BLISTER PACKAGE  
- BLISTER PACKAGE PACKED INTO CARTON
- 4 APPLICATION ACC. IEC 60076-3-117  
AND INTERFACE DIM.

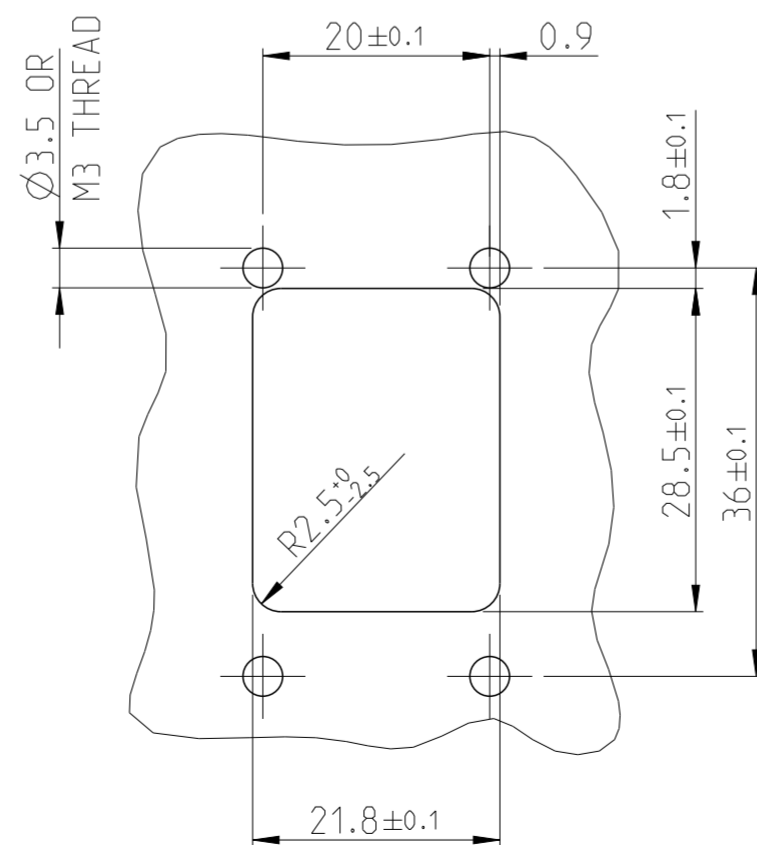
- 1 MONTAGE:  
- VERARBEITUNG SIEHE MONTAGEANWEISUNG 411-18567
- 2 TEIL NICHT DARGESTELLT
- 3 VERPACKUNG:  
- STECKER SET IN BLISTERVERPACKUNG VERPACKT  
- BLISTERVERPACKUNG IN KARTON VERPACKT
- 4 ANWENDUNG NACH IEC 60076-3-117  
UND SCHNITTSTELLENMASSE

-1 AS SHOWN  
-1 WIE GEZEICHNET

DIMENSION IN ASSEMBLED CONDITION  
MASSE IM ASSEMBLIERTEN ZUSTAND  
SCALE / M 3:2



RECOMMENDED CUT OUT  
EMPFOHLENER BLECHAUSSCHNITT  
SCALE / M 3:2



TE ORDER-NO. BESTELL-NR.				
2120871-1				
1	7 BLISTER PACKAGE BLISTERVERPACKUNG			
1	6 INSTRUCTION SHEET MONTAGEANWEISUNG			
4	5 ROUND HEAD SCREW M3 LINSENKOPFSCHRAUBE M3			
4	4 O-RING SEAL FOR IP67 PUSH PULL FRAME O-RING DICHTUNG FUER IP67 PUSH PULL RAHMEN			
1	3 FLAT GASKET FOR IP67 PUSH PULL FRAME FLÄCH DICHTUNG FUER IP67 PUSH PULL RAHMEN			
1	2 COUPLER, SL. INLINE, CAT5e, SHIELDED VERBINDER, SL. INLINE, CAT5e, GESCHIRMT			
1	1 FRAME, PUSH PULL, VARIANTE 14 METAL RAHMEN, PUSH PULL, VARIANTE 14 METALL			
QUANTITY STUECK	ITEM-NO. POS.	DESCRIPTION BENENNUNG	SURFACE OBERFLAECHE	MATERIAL
			COLOUR/FARBE	

THIS DRAWING IS A CONTROLLED DOCUMENT.  
 DIMENSIONING AND TOLERANCING PER GPS (ISO STANDARDS)

DWN: S. HASS 24SEP2013  
 CHK: M. STRELOW 24SEP2013  
 APVD: C. SCHRETTLINGER 24SEP2013

PRODUCT SPEC: 108-94207  
 APPLICATION SPEC: -

MATERIAL: -

WEIGHT: 64.4g

Customer Drawing

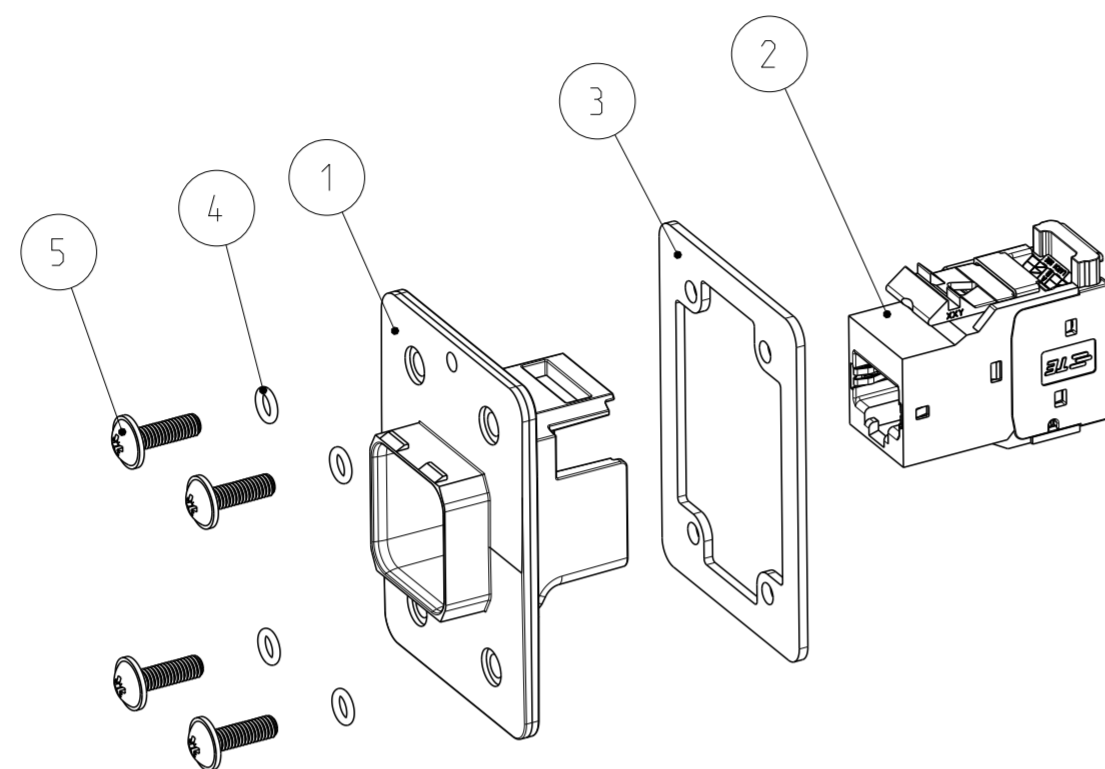
NAME: VARIANTE 14, JACK METAL  
 VARIANTE 14, JACK METALL  
 CAT5e, PASS TROUGH

SIZE: A2  
 CAGE CODE: 00779  
 DRAWING NO: C-2120871

SCALE: 1:1  
 SHEET: 1 OF 6  
 REV: B2

RESTRICTED TO NUR FUER -

P	LTR	REVISIONS ÄNDERUNGEN DESCRIPTION BESCHREIBUNG	DATE	DWN	APVD
-	-	SEE SHEET 1	-	-	-

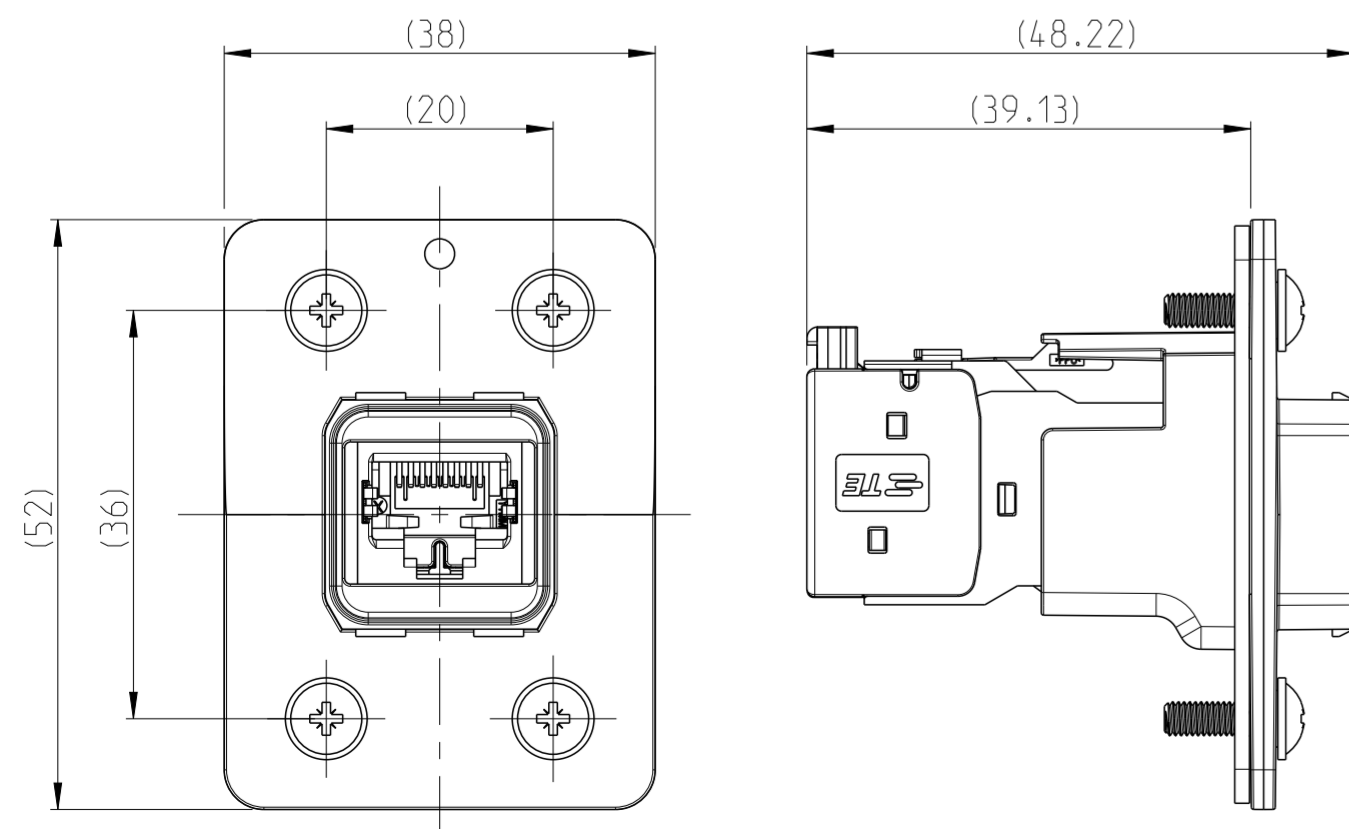


- ① MOUNTING-CYCLE:  
- APPLICATION SEE INSTRUCTION SHEET 411-18569
- ② PART NOT SHOWN
- ③ PACKAGING:  
- CONNECTOR SET PACKED INTO BLISTER PACKAGE  
- BLISTER PACKAGE PACKED INTO CARTON
- ④ APPLICATION ACC. IEC 60076-3-117  
AND INTERFACE DIM.

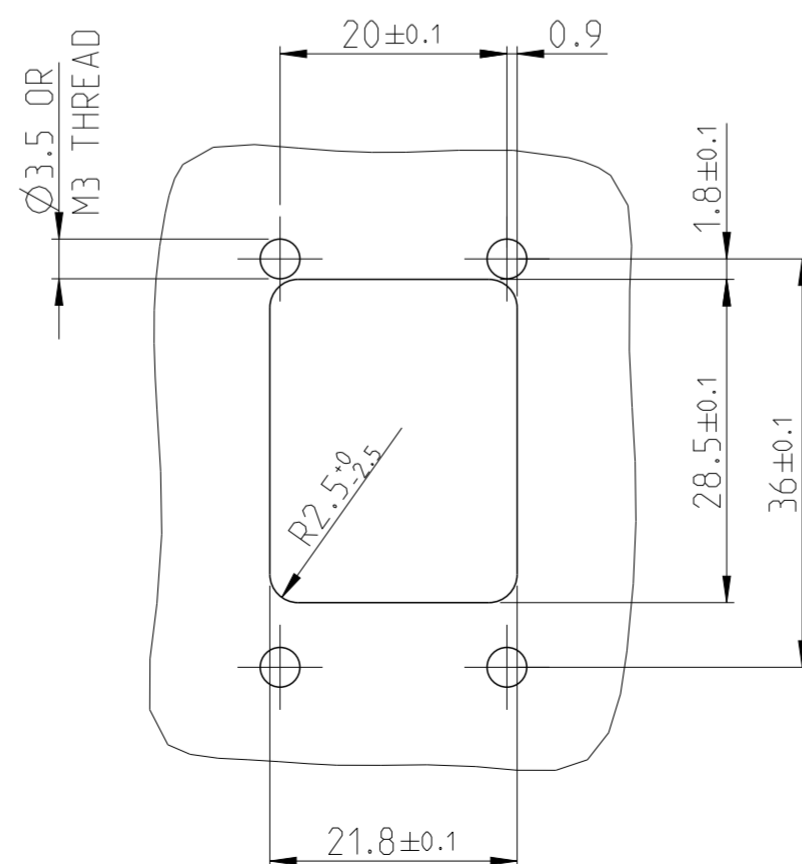
- ① MONTAGE:  
- VERARBEITUNG SIEHE MONTAGEANWEISUNG 411-18569
- ② TEIL NICHT DARGESTELLT
- ③ VERPACKUNG:  
- STECKER SET IN BLISTERVERPACKUNG VERPACKT  
- BLISTERVERPACKUNG IN KARTON VERPACKT
- ④ ANWENDUNG NACH IEC 60076-3-117  
UND SCHNITTSTELLENMASSE

1--1 AS SHOWN  
1--1 WIE GEZEICHNET

DIMENSION IN ASSEMBLED CONDITION  
MASSE IM ASSEMBLIERTEN ZUSTAND  
SCALE / M 3:2



RECOMMENDED CUT OUT  
EMPFOHLENER BLECHAUSSCHNITT  
SCALE / M 3:2



		1-2120871-1	TE ORDER-NO. BESTELL-NR.		
-	-	1	7	BLISTER PACKAGE BLISTERVERPACKUNG	PET PET
-	-	1	6	INSTRUCTION SHEET MONTAGEANWEISUNG	-
-	-	4	5	ROUND HEAD SCREW M3 LINSENKOPFSCHRAUBE M3	STEEL STAHL
-	-	4	4	O-RING SEAL FOR IP67 PUSH PULL FRAME O-RING DICHTUNG FUER IP67 PUSH PULL RAHMEN	BLACK SCHWARZ
-	-	1	3	FLAT GASKET FOR IP67 PUSH PULL FRAME FLACH DICHTUNG FUER IP67 PUSH PULL RAHMEN	BLACK SCHWARZ
-	-	1	2	AMP-TW IST 6AS SL JACK AMP-TW IST 6AS SL BUCHSE	-
-	-	1	1	FRAME, PUSH PULL, VARIANT 14 METAL RAHMEN, PUSH PULL, VARIANTE 14 METALL	3-5 µm Ni OVER 8 µm Cu
QUANTITY STUECK		ITEM-NO. POS.	DESCRIPTION BENENNUNG		SURFACE OBERFLAECHE
					COLOUR/FARBE
					MATERIAL

THIS DRAWING IS A CONTROLLED DOCUMENT. DIMENSIONING AND TOLERANCING PER GPS (ISO STANDARDS)

DIMENSIONS: MASSE IN EINHEITEN: (MM)

TOLERANCES UNLESS OTHERWISE SPECIFIED: ALLGEMEINTOLERANZEN

0 PLC ±0.2  
1 PLC ±0.2  
2 PLC ±0.2  
3 PLC ±  
4 PLC ±

ANGLES/WINKEL ±2°  
FINISH/OBERFLAECHE/FARBE

DWN S. HASS 24SEP2013  
CHK M. STRELOW 24SEP2013  
APVD C. SCHRETLINGER 24SEP2013

PRODUCT SPEC: 108-94207  
APPLICATION SPEC: -

WEIGHT: 79g

Customer Drawing

NAME: VARIANT 14, JACK METAL  
VARIANTE 14, JACK METALL  
CAT6A

SIZE: A2  
CAGE CODE: 00779  
DRAWING NO: C-2120871  
REVISIONS: -

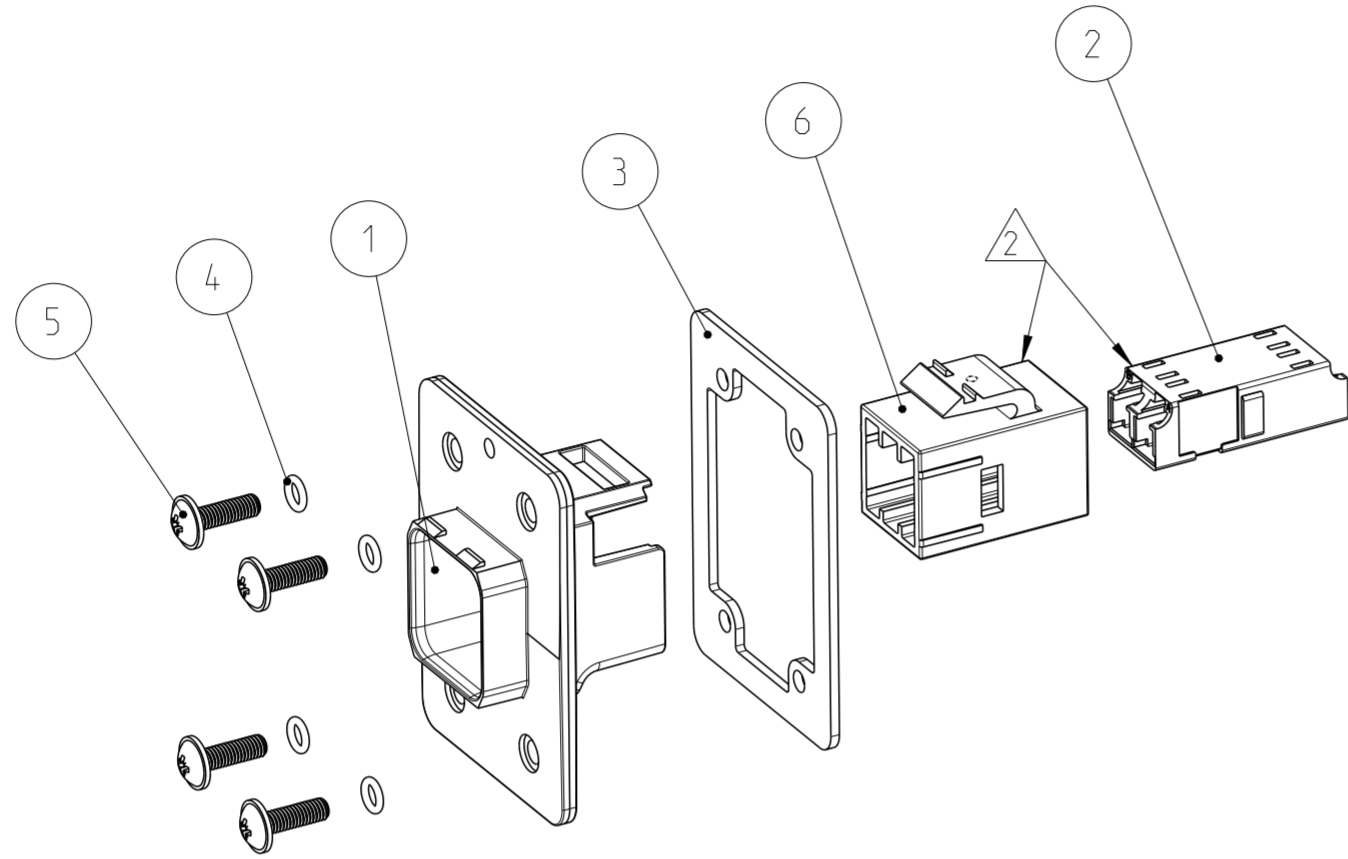
RESTRICTED TO NUR FUER: -

SCALE: 1:1  
SHEET: 2 OF 6  
REV: B2

TE Connectivity

REVISIONS			
AENDERUNGEN	DESCRIPTION	DATE	DWN
BESCHREIBUNG			APVD
P	LTR		
-	SEE SHEET 1	-	-

Size ISO 14405 (E)

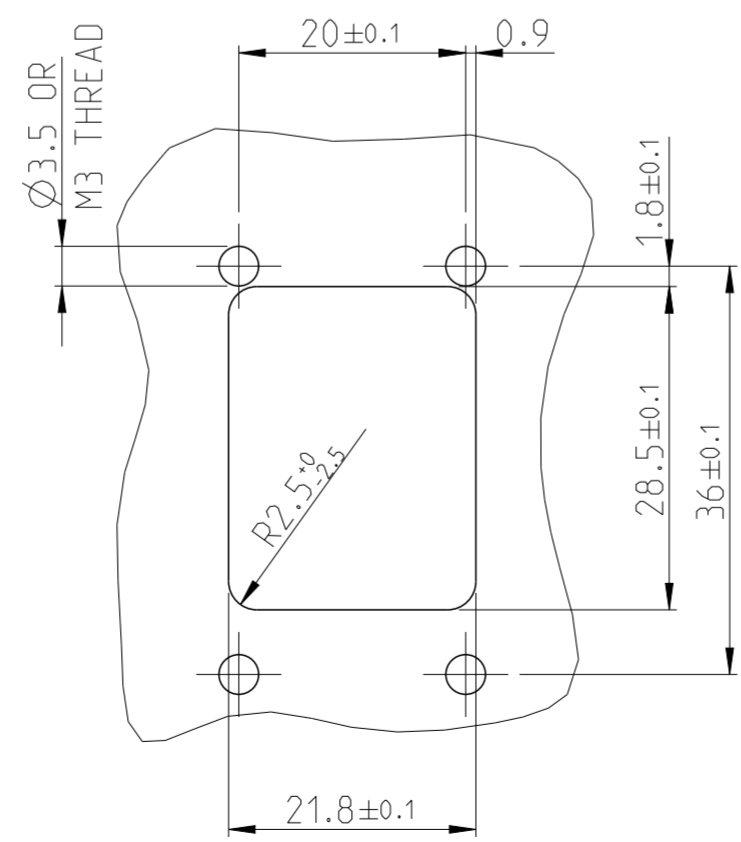
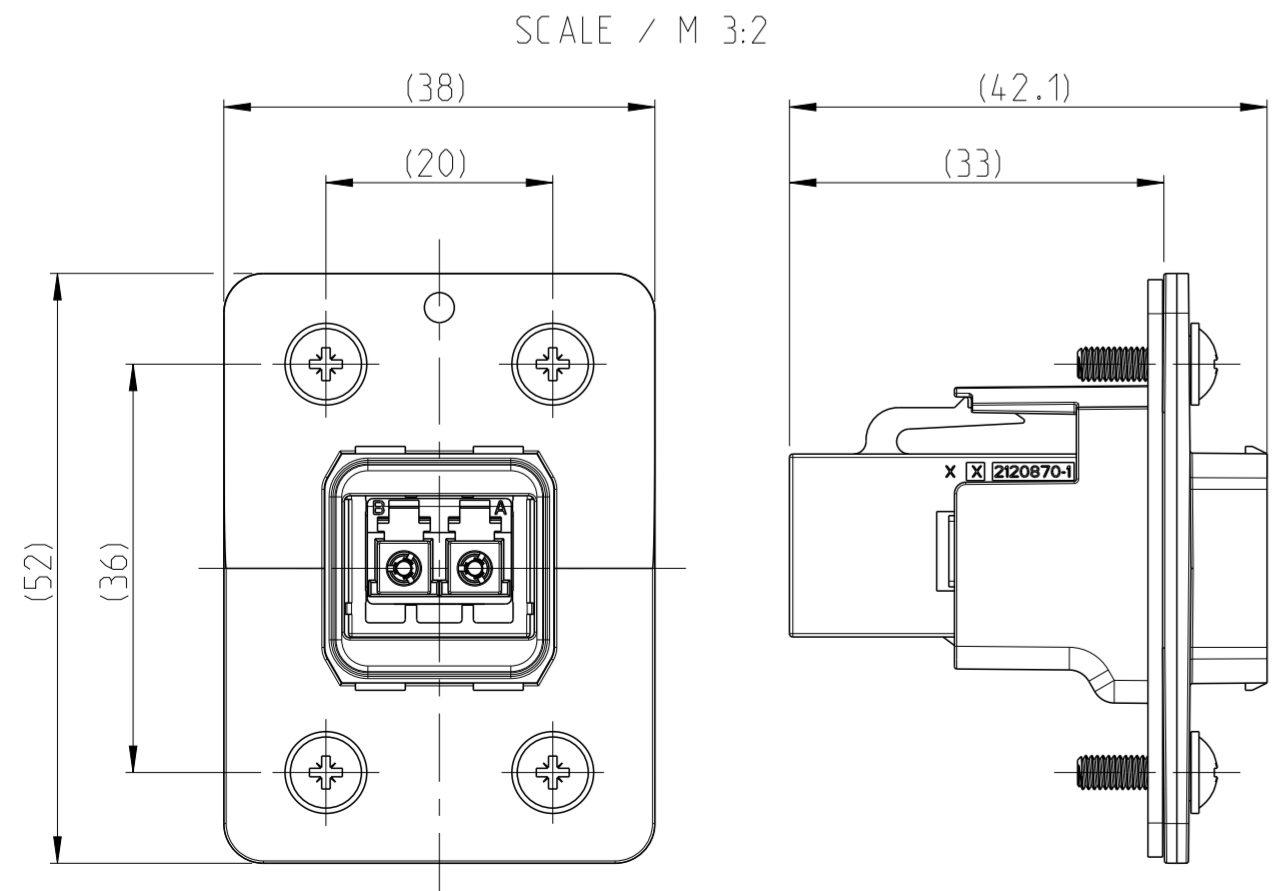


- 1 MOUNTING-CYCLE:  
- APPLICATION SEE INSTRUCTION SHEET 411-18568
- 2 PARTS PRE-ASSEMBLED
- 3 PART NOT SHOWN
- 4 PACKAGING:  
- CONNECTOR SET PACKED INTO BLISTER PACKAGE  
- BLISTER PACKAGE PACKED INTO CARTON
- 1 MONTAGE:  
- VERARBEITUNG SIEHE MONTAGEANWEISUNG 411-18568
- 2 TEILE VORMONTIERT
- 3 TEIL NICHT DARGESTELLT
- 4 VERPACKUNG:  
- STECKER SET IN BLISTERVERPACKUNG VERPACKT  
- BLISTERVERPACKUNG IN KARTON VERPACKT

2--1 AS SHOWN  
2--1 WIE GEZEICHNET

DIMENSION IN ASSEMBLED CONDITION  
MASSE IM ASSEMBLIERTEN ZUSTAND

RECOMMENDED CUT OUT  
EMPFOHLENER BLECHAUSSCHNITT



		2-2120871-1		TE ORDER-NO. BESTELL-NR.		
QUANTITY	ITEM-NO.	DESCRIPTION				
STUECK	POS.	BENENNUNG				
-	-	1	8	BLISTER PACKAGE BLISTERVERPACKUNG	3	PET PET
-	-	1	7	INSTRUCTION SHEET MONTAGEANWEISUNG	1 3	-
-	-	1	6	ADAPTER FIBER OPTIC, VARIANT 14, JACK ADAPTER FIBER OPTIC, VARIANTE 14, BUCHSE	2	BLACK SCHWARZ
-	-	4	5	ROUND HEAD SCREW M3 LINSENKOPFSCHRAUBE M3	-	STEEL STAHL
-	-	4	4	O-RING SEAL FOR IP67 PUSH PULL FRAME O-RING DICHTUNG FUER IP67 PUSH PULL RAHMEN	-	BLACK SCHWARZ
-	-	1	3	FLAT GASKET FOR IP67 PUSH PULL FRAME FLACH DICHTUNG FUER IP67 PUSH PULL RAHMEN	-	BLACK SCHWARZ
-	-	1	2	ASSEMBLY, ADAPTER, REDUCED FLANGE SIZE, DUPLX. LC, SR-SR, SINGLEMODE	2	BLUE BLAU
-	-	1	1	FRAME, PUSH PULL, VARIANT 14 METAL RAHMEN, PUSH PULL, VARIANTE 14 METALL	-	3-5 µm Ni OVER 8 µm Cu
						ZP0410 DIN 12833
						SURFACE OBERFLAECHE
						MATERIAL
						COLOUR/FARBE

THIS DRAWING IS A CONTROLLED DOCUMENT.  
DIMENSIONING AND TOLERANCING PER GPS (ISO STANDARDS)

DIMENSIONS: MASSEINHEITEN: (MM)

TOLERANCES UNLESS OTHERWISE SPECIFIED: ALLGEMEINTOLERANZEN

0 PLC	±0.2
1 PLC	±0.2
2 PLC	±0.2
3 PLC	±
4 PLC	±

ANGLES/WINKEL: ±2°  
FINISH/OBERFLAECHE/FARBE: -

MATERIAL: -

DWN: S. HASS 24SEP2013  
CHK: M. STRELOW 24SEP2013  
APVD: C. SCHREITLINGER 24SEP2013

PRODUCT SPEC: 108-94207  
APPLICATION SPEC: -  
WEIGHT: 61.2g  
Customer Drawing

NAME: VARIANT 14, JACK METAL  
VARIANTE 14, JACK METALL  
FIBER OPTIC, LC, SINGLE MODE

SIZE: A2  
CAGE CODE: 00779  
DRAWING NO: C-2120871  
SHEET: 3 OF 6  
REV: B2

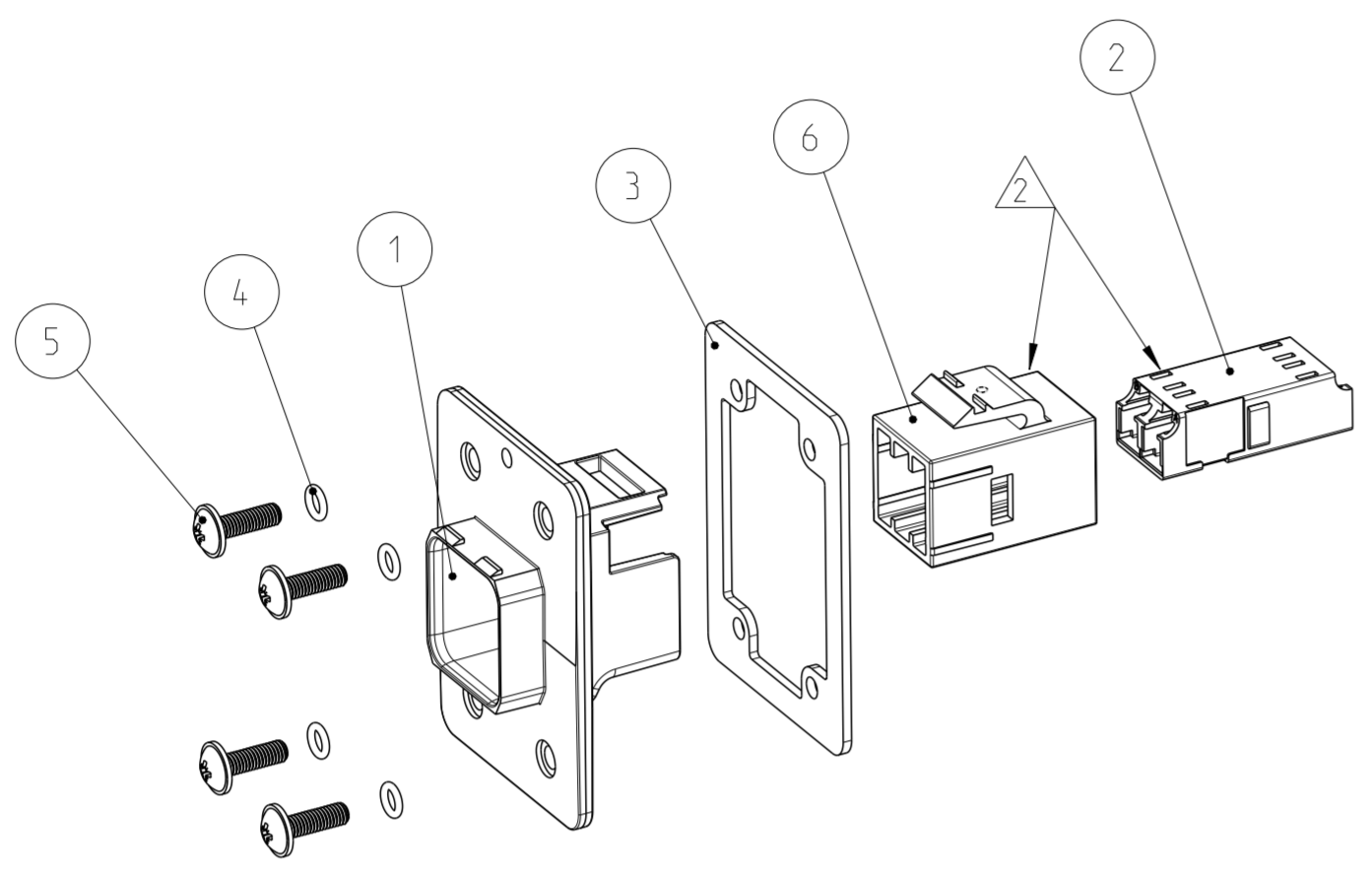
TE Connectivity

SCALE: 1:1  
SHEET: 3 OF 6  
REV: B2

Size ISO 14405 (E)

PROJEKT NR.:  
PRJ-13-000001658

REVISIONS		DATE	DWN	APVD
ÄNDERUNGEN				
DESCRIPTION				
BESCHREIBUNG				
P	LTR			
-	-	SEE SHEET 1	-	-



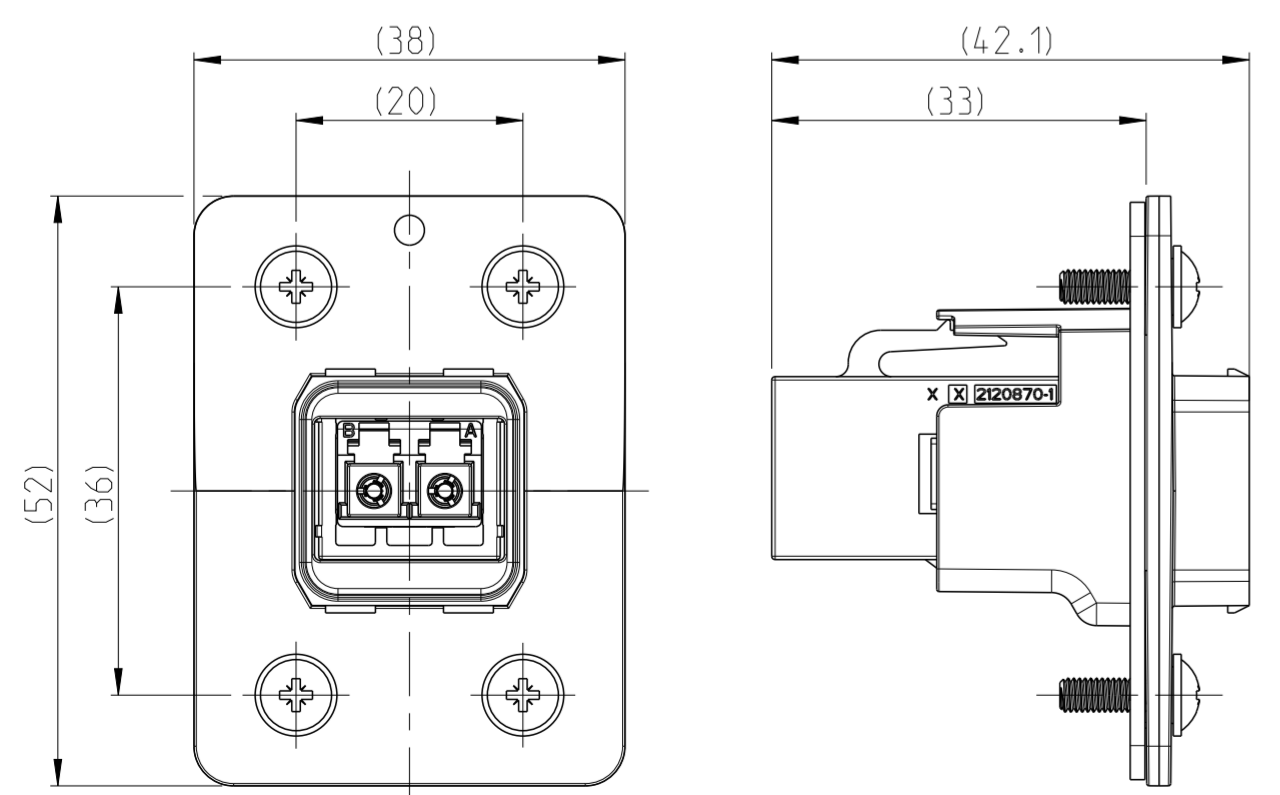
- 1 MOUNTING-CYCLE:  
- APPLICATION SEE INSTRUCTION SHEET 411-18568
- 2 PARTS PRE-ASSEMBLED
- 3 PART NOT SHOWN
- 4 PACKAGING:  
- CONNECTOR SET PACKED INTO BLISTER PACKAGE  
- BLISTER PACKAGE PACKED INTO CARTON
- 1 MONTAGE:  
- VERARBEITUNG SIEHE MONTAGEANWEISUNG 411-18568
- 2 TEILE VORMONTIERT
- 3 TEIL NICHT DARGESTELLT
- 4 VERPACKUNG:  
- STECKER SET IN BLISTERVERPACKUNG VERPACKT  
- BLISTERVERPACKUNG IN KARTON VERPACKT

3--1 AS SHOWN  
3--1 WIE GEZEICHNET

DIMENSION IN ASSEMBLED CONDITION

MASSE IM ASSEMBLIERTEN ZUSTAND

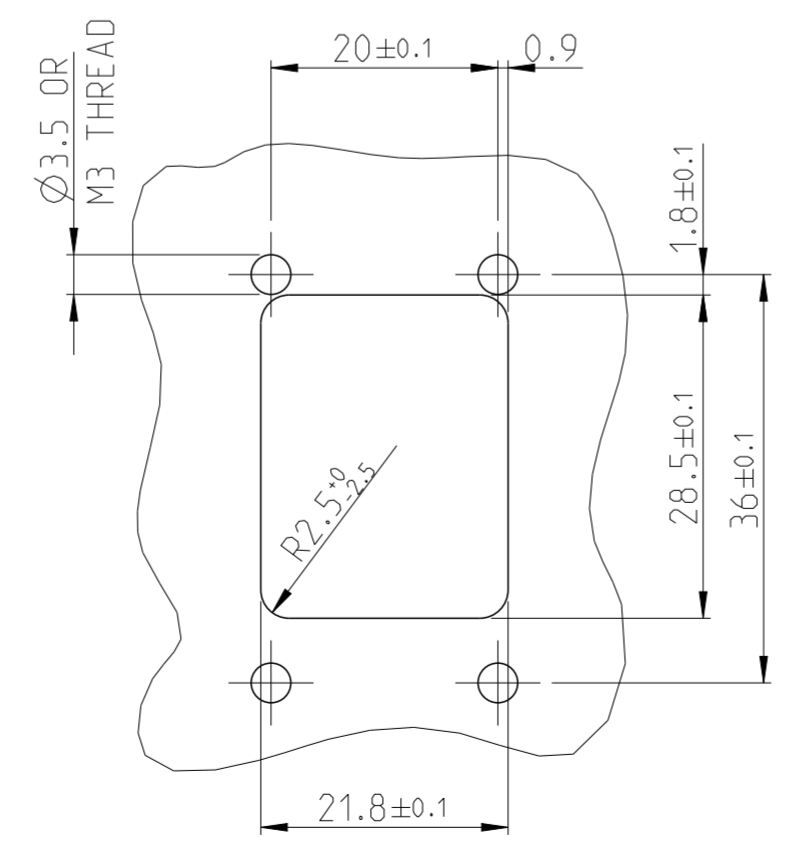
SCALE / M 3:2



RECOMMENDED CUT OUT

EMPFOHLENER BLECHAUSSCHNITT

SCALE / M 3:2

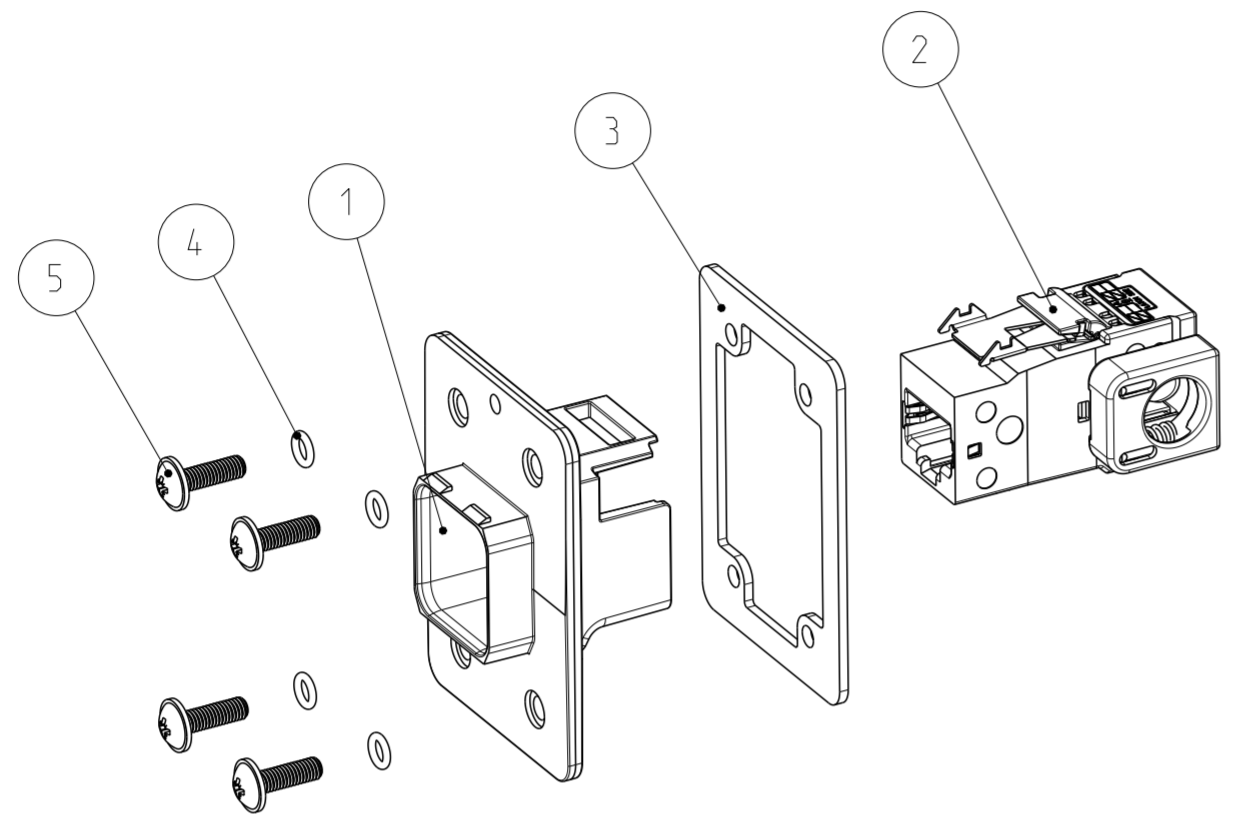


QUANTITY		ITEM-NO.	DESCRIPTION	TE ORDER-NO. BESTELL-NR.	
STUECK	POS.		BENENNUNG		
-	-	1	8	BLISTER PACKAGE BLISTERVERPACKUNG	PET PET
-	-	1	7	INSTRUCTION SHEET MONTAGEANWEISUNG	-
-	-	1	6	ADAPTER FIBER OPTIC, VARIANT 14, JACK ADAPTER FIBER OPTIC, VARIANTE 14, BUCHSE	BLACK SCHWARZ
-	-	4	5	ROUND HEAD SCREW M3 LINSENKOPFSCHRAUBE M3	STEEL STAHL
-	-	4	4	O-RING SEAL FOR IP67 PUSH PULL FRAME O-RING DICHTUNG FUER IP67 PUSH PULL RAHMEN	BLACK SCHWARZ
-	-	1	3	FLAT GASKET FOR IP67 PUSH PULL FRAME FLACH DICHTUNG FUER IP67 PUSH PULL RAHMEN	BLACK SCHWARZ
-	-	1	2	ASSEMBLY, ADAPTER, REDUCED FLANGE SIZE, DUPLX. LC, SR-SR, MULTIMODE	BEIGE BEIGE
-	-	1	1	FRAME, PUSH PULL, VARIANT 14 METAL RAHMEN, PUSH PULL, VARIANTE 14 METALL	3-5 µm Ni OVER 8 µm Cu
				SURFACE OBERFLAECHE	MATERIAL
				COLOUR/FARBE	

THIS DRAWING IS A CONTROLLED DOCUMENT. DIMENSIONING AND TOLERANCING PER GPS (ISO STANDARDS)		DWN S. HASS 24SEP2013	 TE Connectivity
DIMENSIONS: MASSEINHEITEN: (MM)		CHK M. STRELOW 24SEP2013	
TOLERANCES UNLESS OTHERWISE SPECIFIED: ALLGEMEINTOLERANZEN		APVD C. SCHRETTLINGER 24SEP2013	
0 PLC ±0.2 1 PLC ±0.2 2 PLC ±0.2 3 PLC ± 4 PLC ± ANGLES/WINKEL ±2° FINISH/OBERFLAECHE/FARBE		PRODUCT SPEC PRODUKTSPEZ. 108-94207 APPLICATION SPEC VERARBEITUNGSSPEZ.	NAME VARIANT 14, JACK METAL VARIANTE 14, JACK METALL FIBER OPTIC, LC, MULTI MODE
MATERIAL		WEIGHT GEWICHT 61.2g	SIZE A2 CAGE CODE 00779 DRAWING NO ZEICHNUNGS-NR. C-2120871
Customer Drawing		SCALE MASSSTAB 1:1 SHEET BLATT 4 OF 6 REV B2	

Size ISO 14405 (E)

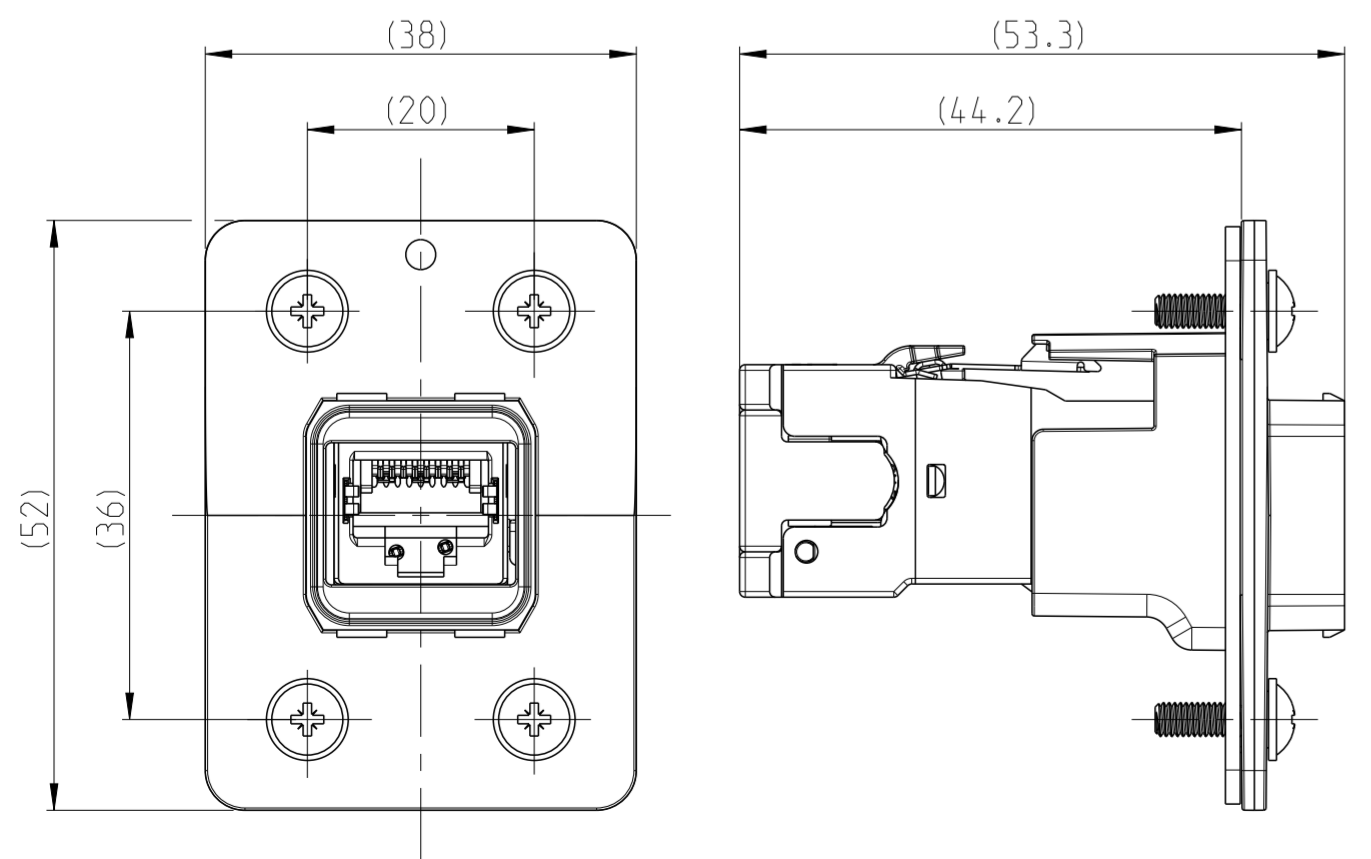


- ① MOUNTING-CYCLE:
  - APPLICATION SEE INSTRUCTION SHEET 411-18567
- ② PART NOT SHOWN
- 3 PACKAGING:
  - CONNECTOR SET PACKED INTO BLISTER PACKAGE
  - BLISTER PACKAGE PACKED INTO CARTON
- 4 APPLICATION ACC. IEC 60076-3-117 AND INTERFACE DIM.

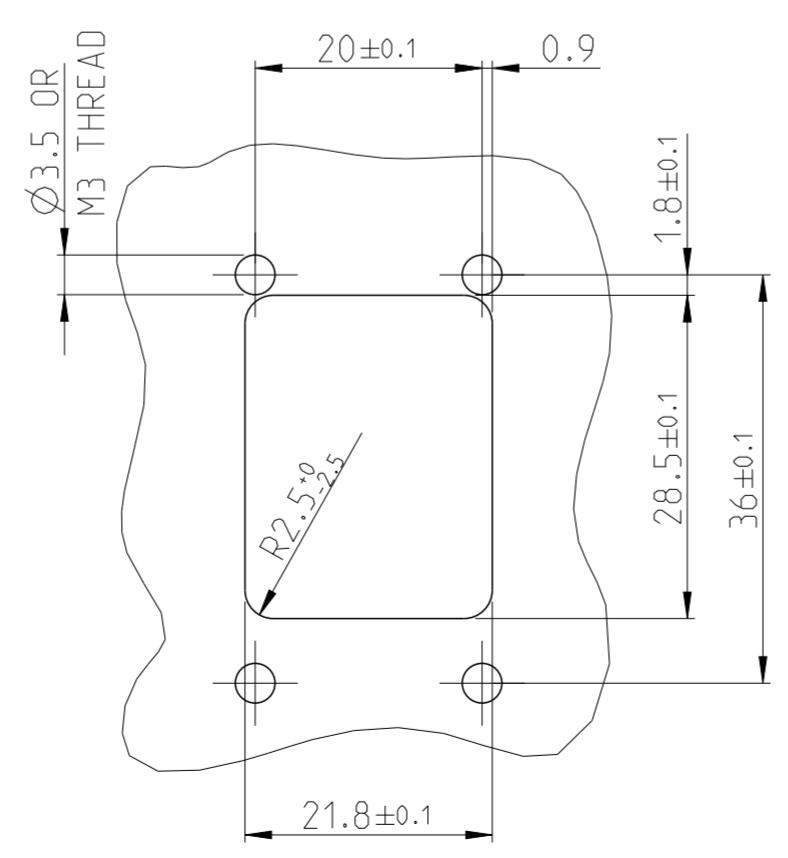
- ① MONTAGE:
  - VERARBEITUNG SIEHE MONTAGEANWEISUNG 411-18567
- ② TEIL NICHT DARGESTELLT
- 3 VERPACKUNG:
  - STECKER SET IN BLISTERVERPACKUNG VERPACKT
  - BLISTERVERPACKUNG IN KARTON VERPACKT
- 4 ANWENDUNG NACH IEC 60076-3-117 UND SCHNITTSTELLENMASSE

4--1 AS SHOWN  
4--1 WIE GEZEICHNET

DIMENSION IN ASSEMBLED CONDITION  
MASSE IM ASSEMBLIERTEN ZUSTAND  
SCALE / M 3:2



RECOMMENDED CUT OUT  
EMPFOHLENER BLECHAUSSCHNITT  
SCALE / M 3:2



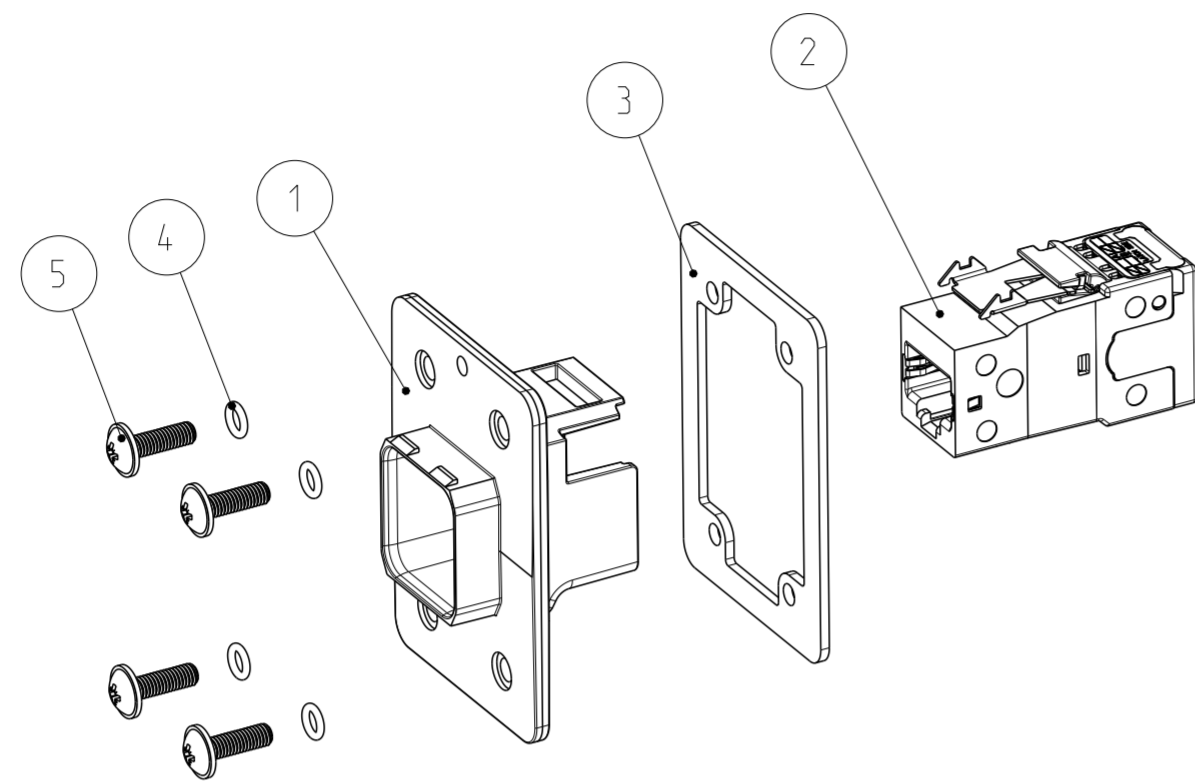
		4-2120871-1		<b>TE ORDER-NO. BESTELL-NR.</b>				
-	-	1	7	BLISTER PACKAGE BLISTERVERPACKUNG	②	-	PET PET	
-	-	1	6	INSTRUCTION SHEET MONTAGEANWEISUNG	①②	-	-	
-	-	4	5	ROUND HEAD SCREW M3 LINSENKOPFSCHRAUBE M3	-	-	STEEL STAHL	
-	-	4	4	O-RING SEAL FOR IP67 PUSH PULL FRAME O-RING DICHTUNG FUER IP67 PUSH PULL RAHMEN	-	BLACK SCHWARZ	EPDM SHORE 70	
-	-	1	3	FLAT GASKET FOR IP67 PUSH PULL FRAME FLACH DICHTUNG FUER IP67 PUSH PULL RAHMEN	-	BLACK SCHWARZ	EPDM SHORE 50	
-	-	1	2	AMP-TWIST-6S SL JACK, SIDE EXIT, W/O DUST COVER AMP-TWIST-6S SL BUCHSE, SEITLICHER AUSGANG, W/O STAUBSCHUTZKAPPE	-	-	-	
-	-	1	1	FRAME, PUSH PULL, VARIANTE 14 METAL RAHMEN, PUSH PULL, VARIANTE 14 METALL	-	3-5 µm Ni OVER 8 µm Cu	ZP0410 DIN 12833	
QUANTITY STUECK		ITEM-NO. POS.	DESCRIPTION BENENNUNG		SURFACE OBERFLAECHE		MATERIAL	
					COLOUR/FARBE			
THIS DRAWING IS A CONTROLLED DOCUMENT. DIMENSIONING AND TOLERANCING PER GPS (ISO STANDARDS).				DWN S. HASS 24SEP2013	<b>STE</b> TE Connectivity			
DIMENSIONS: MASSEINHEITEN: (MM)				CHK M. STRELOW 24SEP2013				
TOLERANCES UNLESS OTHERWISE SPECIFIED: ALLGEMEINTOLERANZEN				APVD C. SCHREITLINGER 24SEP2013				
0 PLC ±0.2 1 PLC ±0.2 2 PLC ±0.2 3 PLC ± 4 PLC ± ANGLES/WINKEL ±2° FINISH/OBERFLAECHE/FARBE				NAME VARIANTE 14, JACK METAL VARIANTE 14, JACK METALL CAT6, SIDE EXIT 90°				
MATERIAL		WEIGHT GEWICHT		PRODUCT SPEC PRODUKTSPEZ. 108-94207	SIZE A2	CAGE CODE 00779	DRAWING NO. ZEICHNUNGS-NR. C-2120871	RESTRICTED TO NUR FUER
		Customer Drawing		/KUNDENZEICHNUNG		SCALE MASSSTAB 1:1	SHEET BLATT 5 OF 6	REV B2

Size ISO 14405 (E)

PROJEKT NR.: PRJ-13-000001658

REVISIONS AENDERUNGEN

P	LTR	DESCRIPTION BESCHREIBUNG	DATE	DWN	APVD
-	-	SEE SHEET 1	-	-	-



- 1 MOUNTING-CYCLE:  
- APPLICATION SEE INSTRUCTION SHEET 411-18567
- 2 PART NOT SHOWN
- 3 PACKAGING:  
- CONNECTOR SET PACKED INTO BLISTER PACKAGE  
- BLISTER PACKAGE PACKED INTO CARTON
- 4 APPLICATION ACC. IEC 60076-3-117 AND INTERFACE DIM.

- 1 MONTAGE:  
- VERARBEITUNG SIEHE MONTAGEANWEISUNG 411-18567
- 2 TEIL NICHT DARGESTELLT

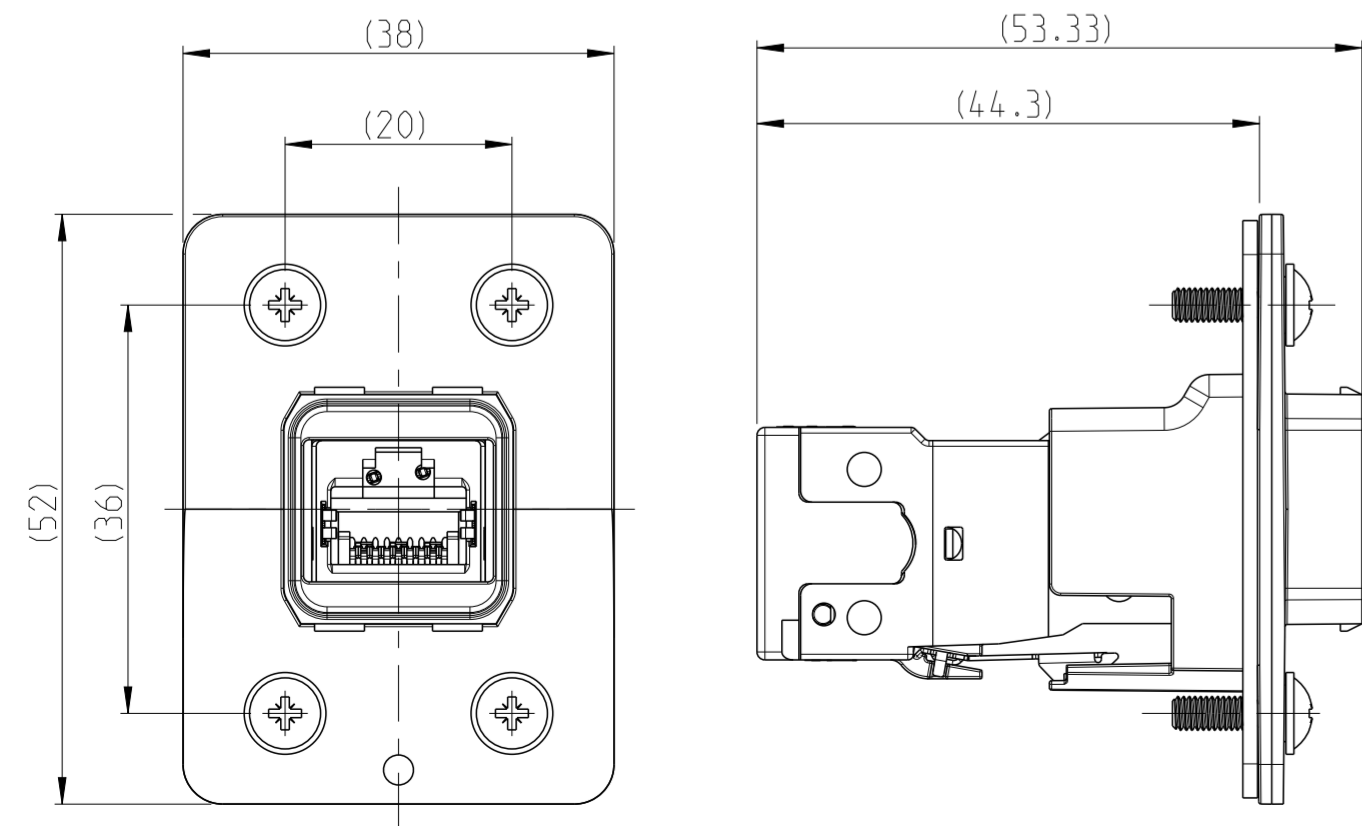
- 3 VERPACKUNG:  
- STECKER SET IN BLISTERVERPACKUNG VERPACKT  
- BLISTERVERPACKUNG IN KARTON VERPACKT

- 4 ANWENDUNG NACH IEC 60076-3-117 UND SCHNITTSTELLENMASSE

5--1 AS SHOWN  
5--1 WIE GEZEICHNET

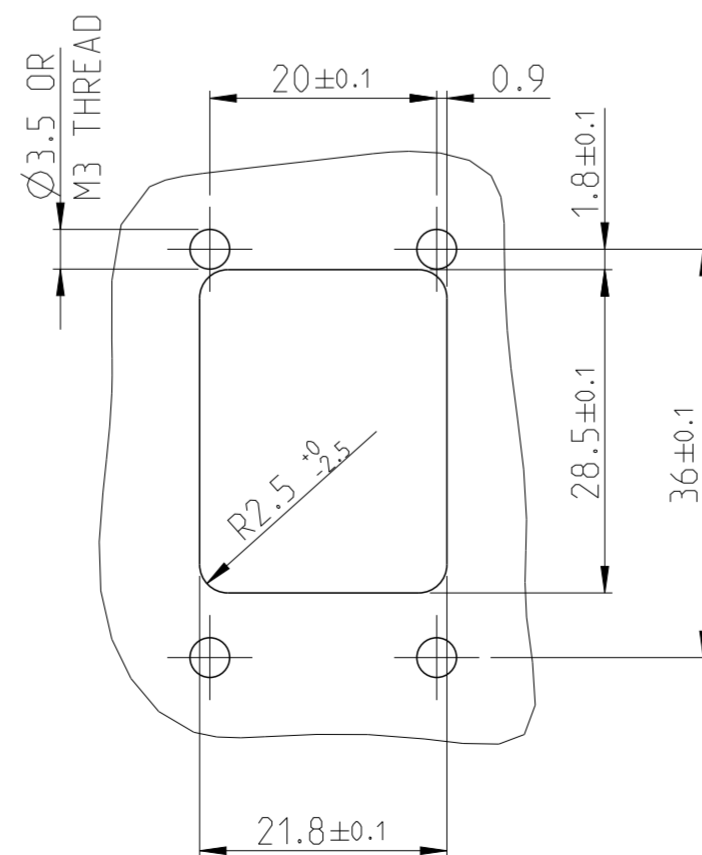
DIMENSION IN ASSEMBLED CONDITION  
MASSE IM ASSEMBLIERTEN ZUSTAND

SCALE / M 3:2



RECOMMENDED CUT OUT  
EMPFOHLENER BLECHAUSSCHNITT

SCALE / M 3:2



		5-2120871-1		TE ORDER-NO. BESTELL-NR.		
-	-	1	7	BLISTER PACKAGE BLISTERVERPACKUNG	2	PET PET
-	-	1	6	INSTRUCTION SHEET MONTAGEANWEISUNG	1 2	-
-	-	4	5	ROUND HEAD SCREW M3 LINSENKOPFSCHRAUBE M3	-	STEEL STAHL
-	-	4	4	O-RING SEAL FOR IP67 PUSH PULL FRAME O-RING DICHTUNG FUER IP67 PUSH PULL RAHMEN	-	BLACK SCHWARZ
-	-	1	3	FLAT GASKET FOR IP67 PUSH PULL FRAME FLACH DICHTUNG FUER IP67 PUSH PULL RAHMEN	-	BLACK SCHWARZ
-	-	1	2	AMP-TWIST-6S SL JACK, W/O DUST COVER AMP-TWIST-6S SL BUCHSE, W/O STAUBSCHUTZKAPPE	-	EPDM SHORE 70
-	-	1	1	FRAME, PUSH PULL, VARIANT 14 METAL RAHMEN, PUSH PULL, VARIANTE 14 METALL	-	EPDM SHORE 50
QUANTITY STUECK		ITEM-NO. POS.	DESCRIPTION BENENNUNG		SURFACE OBERFLAECHE	
					COLOUR/FARBE	
					MATERIAL	
THIS DRAWING IS A CONTROLLED DOCUMENT. DIMENSIONING AND TOLERANCING PER GPS (ISO STANDARDS).				DWN S. HASS	24SEP2013	 TE Connectivity
DIMENSIONS: MASSEINHEITEN: (mm)				CHK M. STRELOW	24SEP2013	
TOLERANCES UNLESS OTHERWISE SPECIFIED: ALLGEMEINTOLERANZEN				APVD C. SCHREITLINGER	24SEP2013	
0 PLC ±0.2 1 PLC ±0.2 2 PLC ±0.2 3 PLC ± 4 PLC ± ANGLES/WINKEL ±2° FINISH/OBERFLAECHE/FARBE				PRODUCT SPEC 108-94207	NAME VARIANT 14, JACK METAL VARIANTE 14, JACK METALL CAT6, EXIT 180°	
MATERIAL				WEIGHT GEWICHT	67.9g	SIZE A2
Customer Drawing				/KUNDENZEICHUNG		DRAWING NO. ZEICHNUNGS-NR. C-2120871
SCALE MASSSTAB				1:1	SHEET BLATT	6 OF 6
				REV B2		RESTRICTED TO NUR FUER