



Chipsmall Limited consists of a professional team with an average of over 10 year of expertise in the distribution of electronic components. Based in Hongkong, we have already established firm and mutual-benefit business relationships with customers from,Europe,America and south Asia,supplying obsolete and hard-to-find components to meet their specific needs.

With the principle of “Quality Parts,Customers Priority,Honest Operation,and Considerate Service”,our business mainly focus on the distribution of electronic components. Line cards we deal with include Microchip,ALPS,ROHM,Xilinx,Pulse,ON,Everlight and Freescale. Main products comprise IC,Modules,Potentiometer,IC Socket,Relay,Connector.Our parts cover such applications as commercial,industrial, and automotives areas.

We are looking forward to setting up business relationship with you and hope to provide you with the best service and solution. Let us make a better world for our industry!



## Contact us

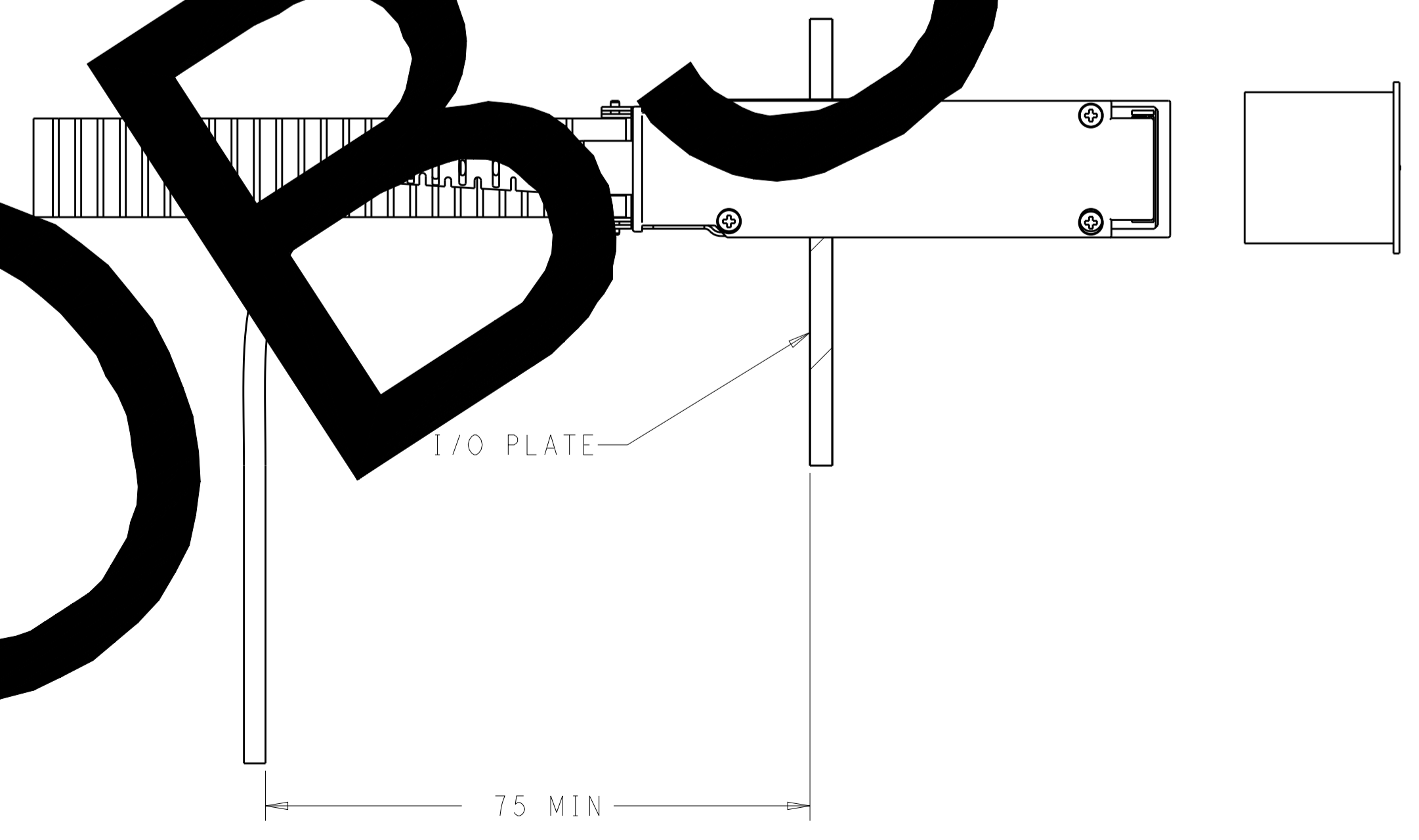
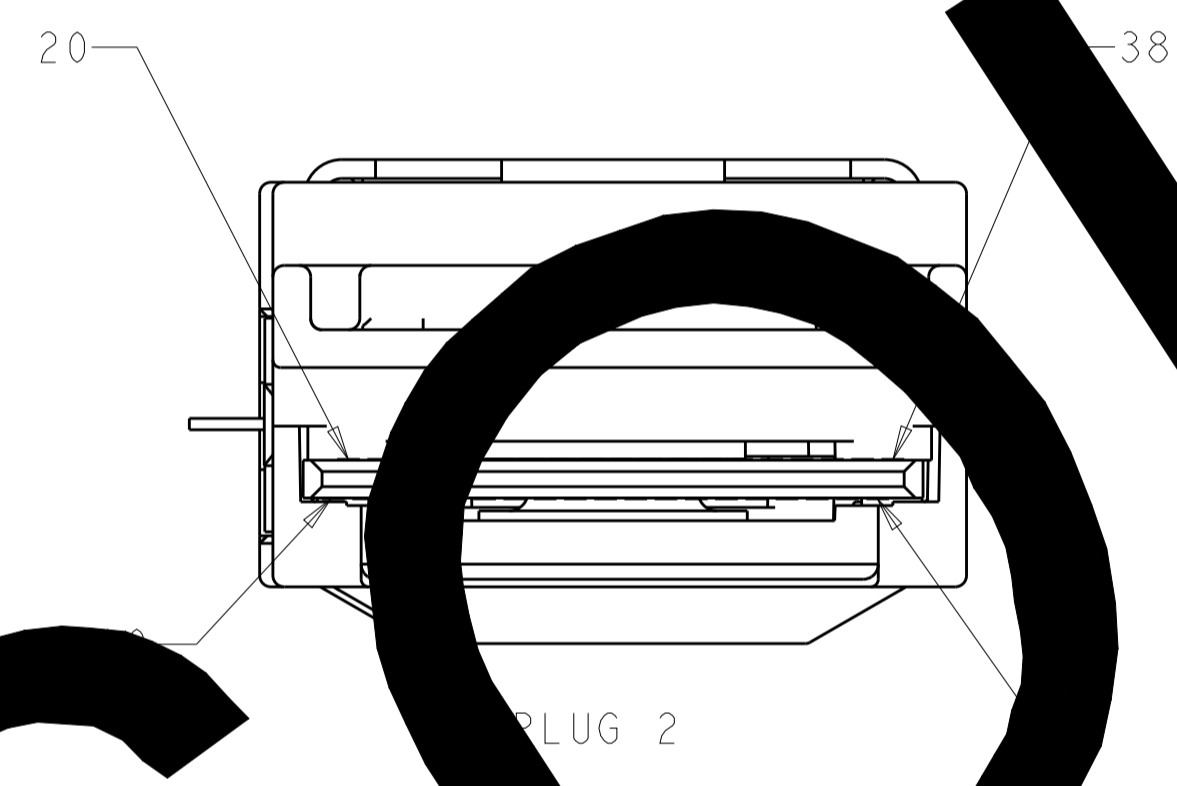
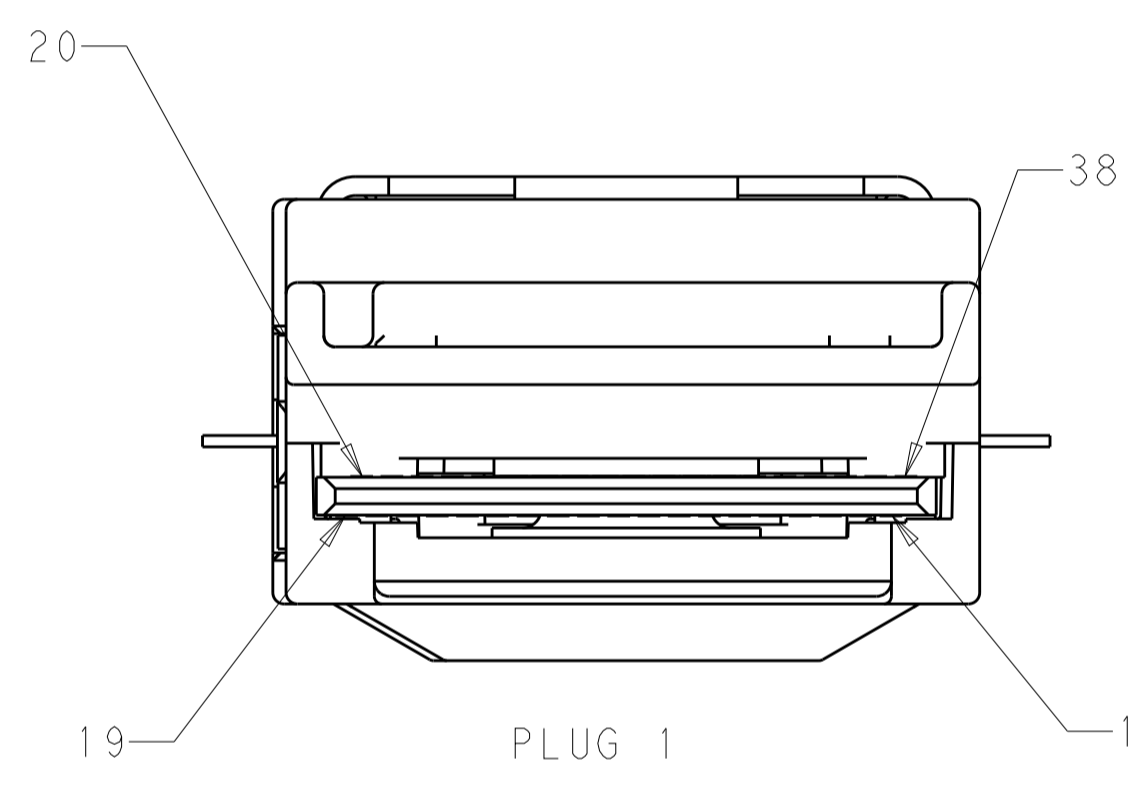
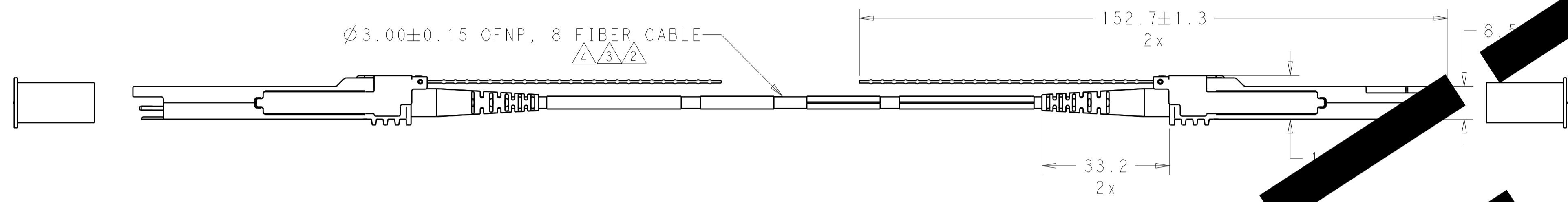
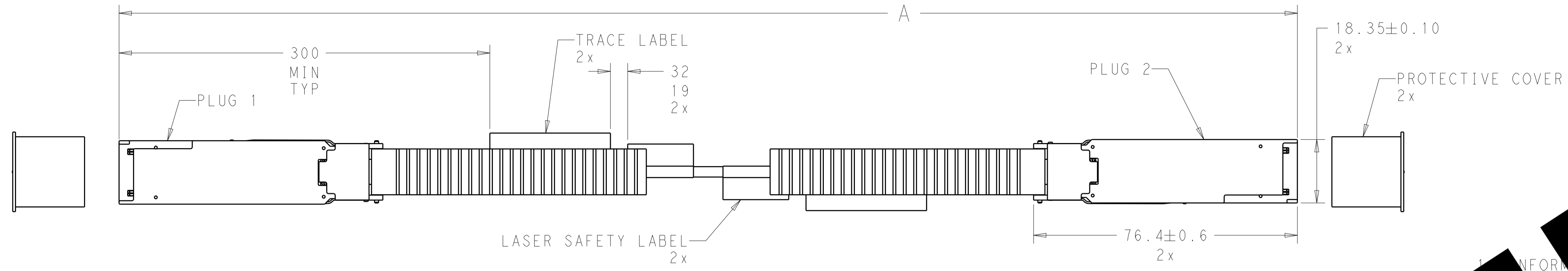
Tel: +86-755-8981 8866 Fax: +86-755-8427 6832

Email & Skype: info@chipsmall.com Web: www.chipsmall.com

Address: A1208, Overseas Decoration Building, #122 Zhenhua RD., Futian, Shenzhen, China



REVISIONS				
P.	LTN.	DESCRIPTION	DATE	APPV.
H		ECR-14-012918	04SEP2014	SW RZ
H1		OBSOLETE PER ECR-16-006201	08JUL2016	DEH JC



1. CONFORMS TO 8-177340 PRODUCT PERFORMANCE REQUIREMENTS. VERIFIED ACCORDANCE WITH 501-122042.
2. CAUTION! LASER RADIATION MAY RESULT IN HAZARDOUS RADIATION EXPOSURE.
3. CONFORMS TO 109-CORE INTERCONNECT CABLE REQUIREMENTS. STANDARD OM2 CABLE TO BE USED FOR LENGTHS UP TO 30 METERS, OM3 CABLE FOR LENGTHS UP TO 100 METERS.
4. SEE TRACE LABEL FOR IDENTIFICATION.
5. THE SHIELDING AND GROUNDING SCHEMATIC IS ISOLATED FROM SIGNAL GROUND (GND) IN THE CABLE AND CONNECTOR.
6. THE SIGNALS ARE NOT CARRIED THROUGH TO THE OTHER END, SINCE EACH END OF THE CABLE IS POWERED SEPARATELY.
7. THE QSFP MODULES IMPLEMENT THE 12C INTERFACE DESCRIBED IN SFF-8636 REV 1.5.
8. THE QSFP MODULES IMPLEMENT THE 12C INTERFACE DESCRIBED IN SFF-8636 REV 1.5.
9. EEPROM PROGRAMMED PER 2123603\_EEPROM\_CD REV H.
10. CONTAINS FIRMWARE REVISION 6.15.

32 ± 0.32	2-2123603-6
28 ± 0.28	2-2123603-5
21 ± 0.21	2-2123603-4
19 ± 0.19	2-2123603-3
18 ± 0.18	2-2123603-2
17 ± 0.17	2-2123603-1
16 ± 0.15	2-2123603-0
14 ± 0.15	1-2123603-9
13 ± 0.15	1-2123603-8
12 ± 0.15	1-2123603-7
11 ± 0.15	1-2123603-6
9 ± 0.15	1-2123603-5
8 ± 0.15	1-2123603-4
7 ± 0.15	1-2123603-3
<b>OBSOLETE</b> 1 ± 0.15	1-2123603-2
100 ± 1.00	1-2123603-1
50 ± 0.50	1-2123603-0
40 ± 0.40	2123603-9
30 ± 0.30	2123603-8
25 ± 0.25	2123603-7
20 ± 0.20	2123603-6
15 ± 0.15	2123603-5
10 ± 0.15	2123603-4
5 ± 0.15	2123603-3
3 ± 0.15	2123603-2
<b>OBSOLETE</b> 2 ± 0.15	2123603-1

A / m  $\triangle$  4 PART NUMBER

THIS DRAWING IS A CONTROLLED DOCUMENT. DWN B. BRIGGS 08-Jul-16  
CHK B. FAIR 08-Jul-16  
APPV M. TRYSON 08-Jul-16

DIMENSIONS: mm TOLERANCES UNLESS OTHERWISE SPECIFIED:  
0 PLC ±0.5  
1 PLC ±0.13  
2 PLC ±0.13  
3 PLC ±0.013  
4 PLC ±0.001  
ANGLES ±0.0001

MATERIAL: FINISH: WEIGHT: Customer Drawing

NAME: PARALIGHT CABLE ASSEMBLY, 4x14, QSFP, ETHERNET  
APPLICATION SPEC: PRODUCT SPEC: SIZE: CAGE CODE: DRAWING NO: A100779 C=2123603  
RESTRICTED TO: SCALE: 5:4 SHEET 1 OF 2 REV: H1

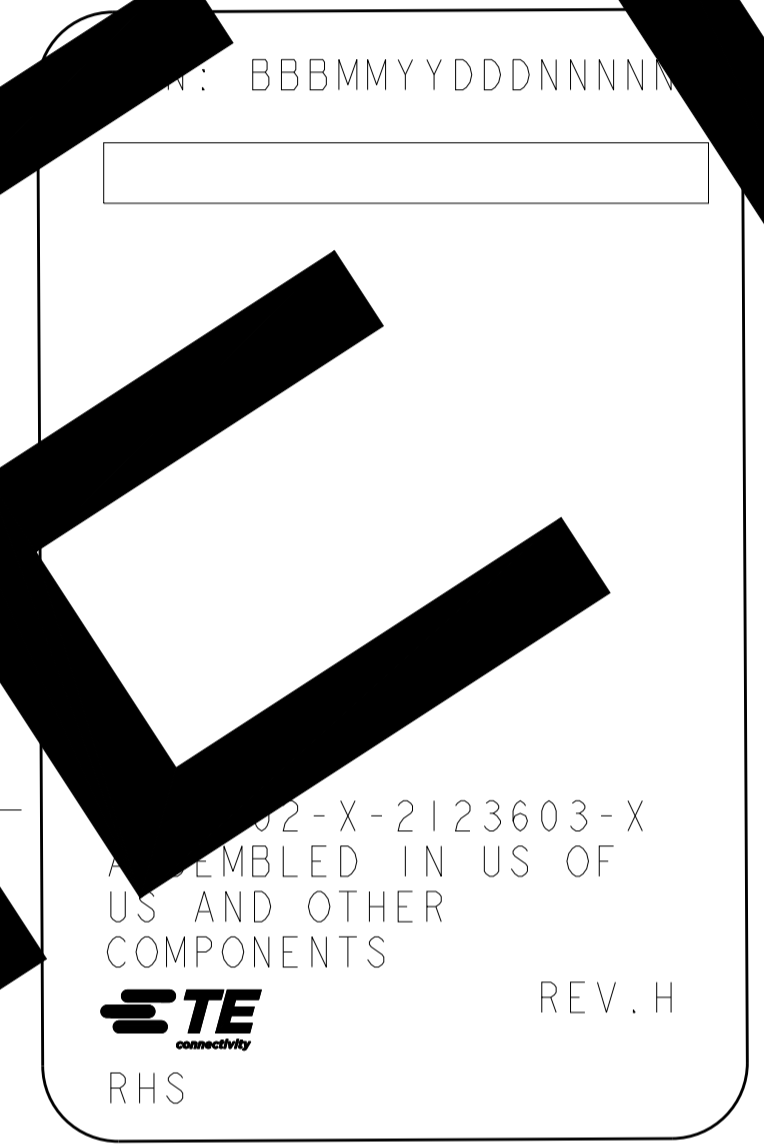
TE Connectivity

REVISIONS				
P.	LTN	DESCRIPTION	DATE	APVD
-	-	SEE SHEET 1	-	-

# OBSOLETE

QSFP	
PIN NO.	SIGNAL
1	GND
2	Tx2n
3	Tx2p
4	GND
5	Tx4n
6	Tx4p
7	GND
8	ModSelL
9	ResetL
10	Vcc Rx
11	SCL
12	SDA
13	GND
14	Rx3p
15	Rx3n
16	GND
17	Rx1
18	Rx1
19	GND
20	GND
21	Rx2n
22	Rx2p
23	GND
24	
25	Rx1
26	GND
27	ModPr
28	Int
29	Vcc
30	
31	PLMode
32	GND
33	Tx3p
34	Tx3n
35	GND
36	Tx1p
37	Tx1n
38	GND

FIBER COLOR CODE CHART	
FIBER #	COLOR
1	BLUE
2	ORANGE
3	GREEN
4	BROWN
5	FILLER
6	FILLER
7	FILLER
8	FILLER
9	GRAY
10	WHITE
11	RED
12	BLACK



SERIAL NUMBER: BBBMMYYDDNNNNN  
 BBB = BUILDING NUMBER  
 MM = MANUFACTURING LOCATION  
 YY = TWO DIGIT YEAR  
 DDD = ORDINAL DATE  
 NNNNN = FIVE DIGIT SERIAL NUMBER

COUNTRY OF ORIGIN WHEN MANUFACTURED OUTSIDE THE US LABEL MUST READ "MADE IN XXXXX", WHERE XXXXX REPRESENTS THE COUNTRY OF MANUFACTURING.  
 TE LOGO & CUSTOMER PRINT REV

TRACE LABEL INFORMATION  
 NOTE: LASER SAFETY CERTIFICATION IS BASED ON THE PREFIX AND THAT TE IS THE ONLY MANUFACTURER VISABLE ON THE LABEL

THIS DRAWING IS A CONTROLLED DOCUMENT.		DWN B. BRIGGS 08-Jul-16	TE Connectivity <b>PARALIGHT CABLE ASSEMBLY, 4x14, QSFP, ETHERNET</b>
DIMENSIONS: mm		CHK B. FAIR 08-Jul-16	
		APVD M. TRYSON 08-Jul-16	RESTRICTED TO
TOLERANCES UNLESS OTHERWISE SPECIFIED:		PRODUCT SPEC	SIZE CAGE CODE DRAWING NO
0 PLC ±0.5		APPLICATION SPEC	A100779C=2123603
1 PLC ±0.13		WEIGHT	SCALE 5:4 SHEET 2 OF 2 REV H1
2 PLC ±0.013		Customer Drawing	
3 PLC ±0.001			
4 PLC ±0.0001			
ANGLES ±			
FINISH			