



Chipsmall Limited consists of a professional team with an average of over 10 year of expertise in the distribution of electronic components. Based in Hongkong, we have already established firm and mutual-benefit business relationships with customers from,Europe,America and south Asia,supplying obsolete and hard-to-find components to meet their specific needs.

With the principle of “Quality Parts,Customers Priority,Honest Operation,and Considerate Service”,our business mainly focus on the distribution of electronic components. Line cards we deal with include Microchip,ALPS,ROHM,Xilinx,Pulse,ON,Everlight and Freescale. Main products comprise IC,Modules,Potentiometer,IC Socket,Relay,Connector.Our parts cover such applications as commercial,industrial, and automotives areas.

We are looking forward to setting up business relationship with you and hope to provide you with the best service and solution. Let us make a better world for our industry!



Contact us

Tel: +86-755-8981 8866 Fax: +86-755-8427 6832

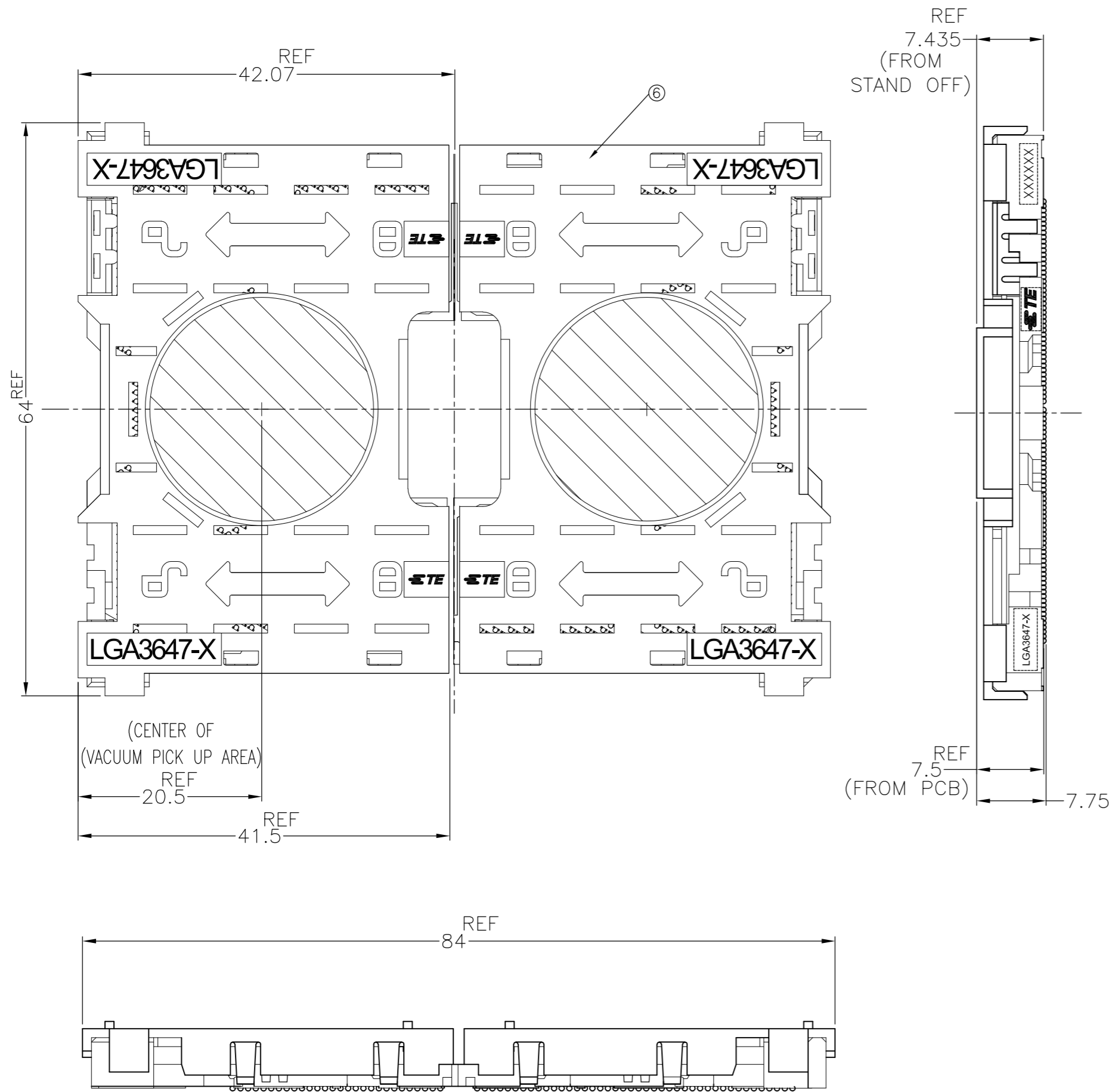
Email & Skype: info@chipsmall.com Web: www.chipsmall.com

Address: A1208, Overseas Decoration Building, #122 Zhenhua RD., Futian, Shenzhen, China



THIS DRAWING IS UNPUBLISHED. RELEASED FOR PUBLICATION
 © COPYRIGHT - Tyco Electronics JAPAN G.K. ALL RIGHTS RESERVED.

LOC	DIST	REVISIONS					
		P	LTR	DESCRIPTION	DATE	DWN	APVD
ES	-	B		ECR-16-016785	28NOV2016	B.L	C.W



AFTER SMT CONDITION (WITH CAP)

1. MATERIAL

- ① HOUSING : HIGH TEMP, THERMO-PLASTIC, UL94V-0, BLACK
- ② CONTACT : COPPER ALLOY
FINISH : Au PL. SHOW AS Δ AT CONTACT AREA
ON OVERALL OVER Ni UNDER PL. 0.00127 MIN.
- ③ SOLDER BALL : Sn/Ag/Cu
- ④ KEY HSG LEFT : HIGH TEMP. THERMO-PLASTIC, UL94V-0, BLACK
- ⑤ KEY HSG RIGHT: HIGH TEMP. THERMO-PLASTIC, UL94V-0, P0 YELLOW, P1 NATURAL
- ⑥ CAP : HIGH TEMP. THERMO-PLASTIC, UL94V-0, NATURAL

Δ INDICATED DATE CODE , TYCO LOGO, PRODUCT NAME ON THE HSG

3. THIS PRODUCT IS RESTRICTED TO INTEL CORPORATION

Δ FOR NORMAL ORDER, LEFT AND RIGHT SEGMENT SHOULD ORDER AT SAME TIME

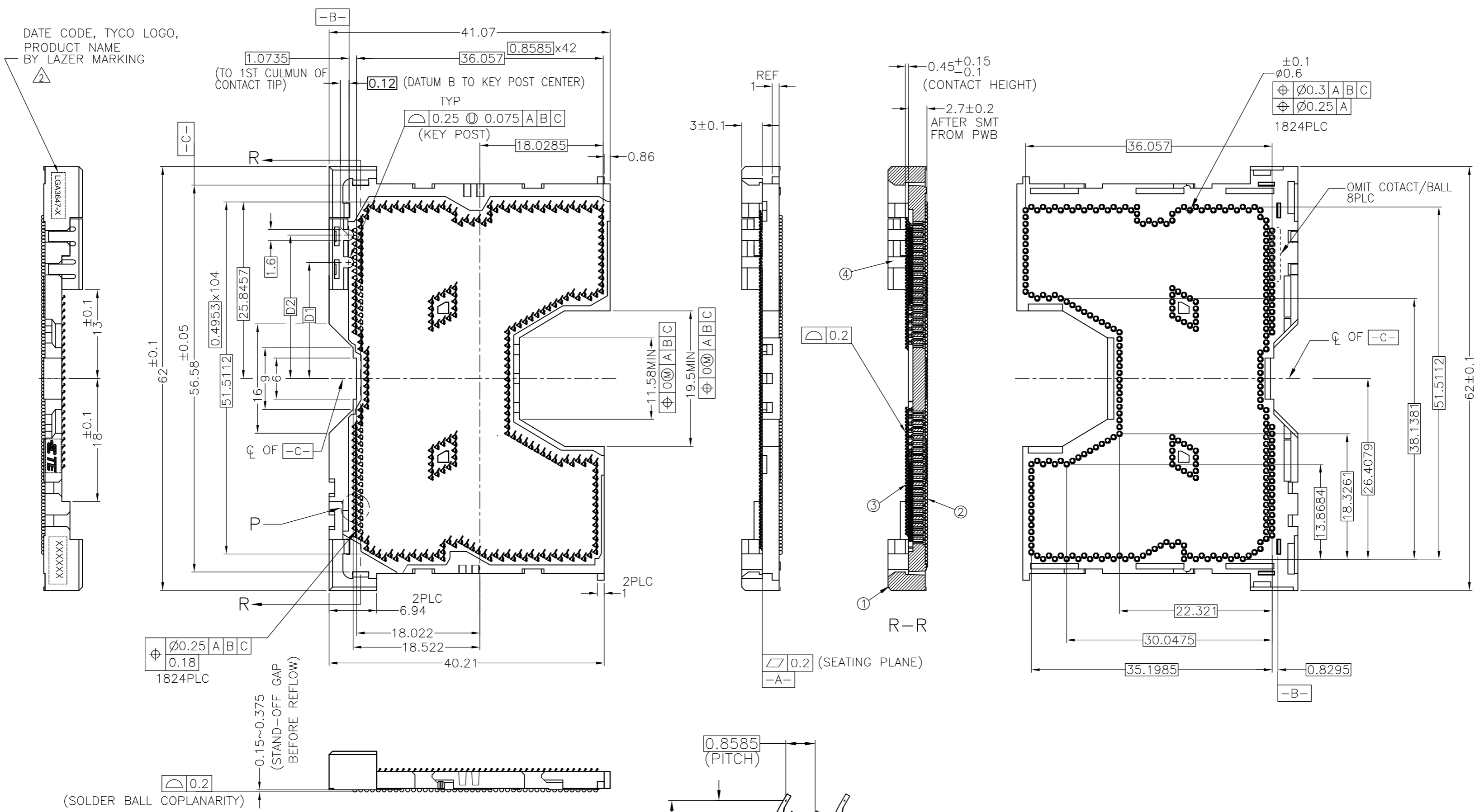
	LGA3647-1 SOCKET P1	LGA3647-0 SOCKET P0			
	30u"Min Au	30u"Min Au			
	Δ				
	LGA3647-1 RIGHT SEGMENT	LGA3647-1 LEFT SEGMENT	LGA3647-0 RIGHT SEGMENT	LGA3647-0 LEFT SEGMENT	PRODUCT NAME
	2822980-4	1-2822980-4	2822980-3	1-2822980-3	ASSY PART NUMBER

14.5	21	17	1	1	1	1	2-2129710-8
		16					2-2129710-7
							2-2129710-6
							2-2129710-5
PRODUCT WEIGHT (g/SOCKET)	DIMENSION D2	DIMENSION D1	QTY.		ORDER PART NO.		

THIS DRAWING IS A CONTROLLED DOCUMENT.		DWN T.KUO 04MAR2015			NAME			
DIMENSIONS: mm		CHK M.CHAO 04MAR2015			SOCKET ASSY LGA3647-X			
TOLERANCES UNLESS OTHERWISE SPECIFIED:		APVD M.CHAO 04MAR2015	PRODUCT SPEC		SIZE	CAGE CODE	DRAWING NO	RESTRICTED TO
0-PLC ± 1-PLC ± ±0.3 2-PLC ± ±3 3-PLC ± ±3 4-PLC ± ± ANGLES ± -		APPLICATION SPEC	108-115115		A2	00779	C=2129710	-
MATERIAL		FINISH	WEIGHT		SCALE		SHEET	REV
-		-	-		NTS		1 OF 7	B
CUSTOMER DRAWING								

THIS DRAWING IS UNPUBLISHED. RELEASED FOR PUBLICATION
 © COPYRIGHT - Tyco Electronics JAPAN G.K. ALL RIGHTS RESERVED.

LOC	DIST	REVISIONS					
		P	LTR	DESCRIPTION	DATE	DWN	APVD
ES	-	-	-	SEE SHEET 1	-	-	-

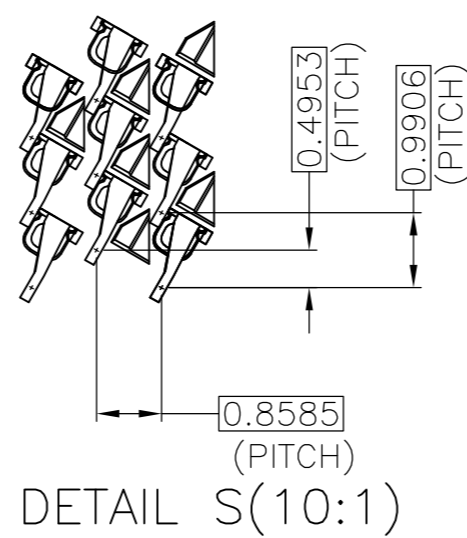
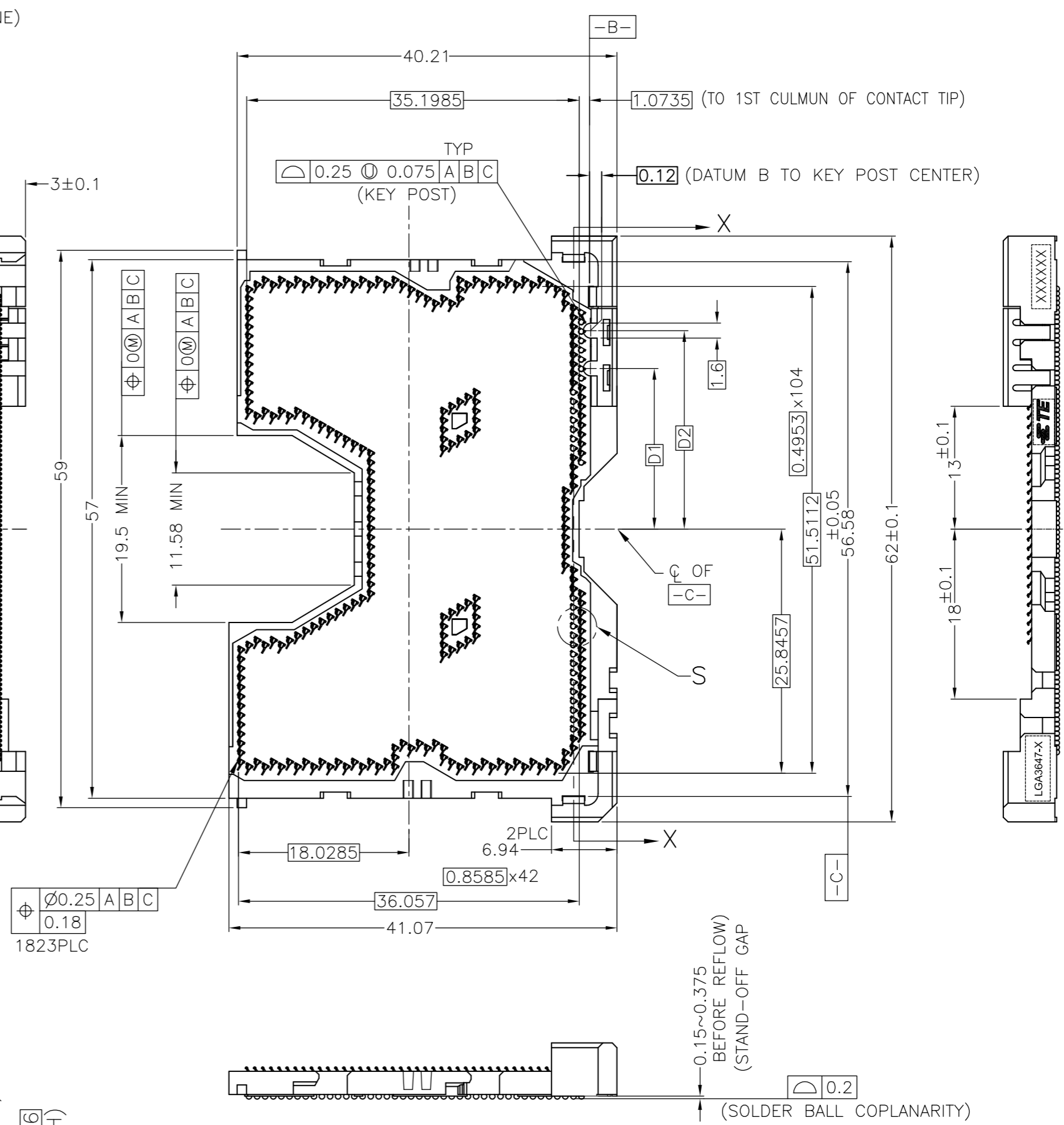
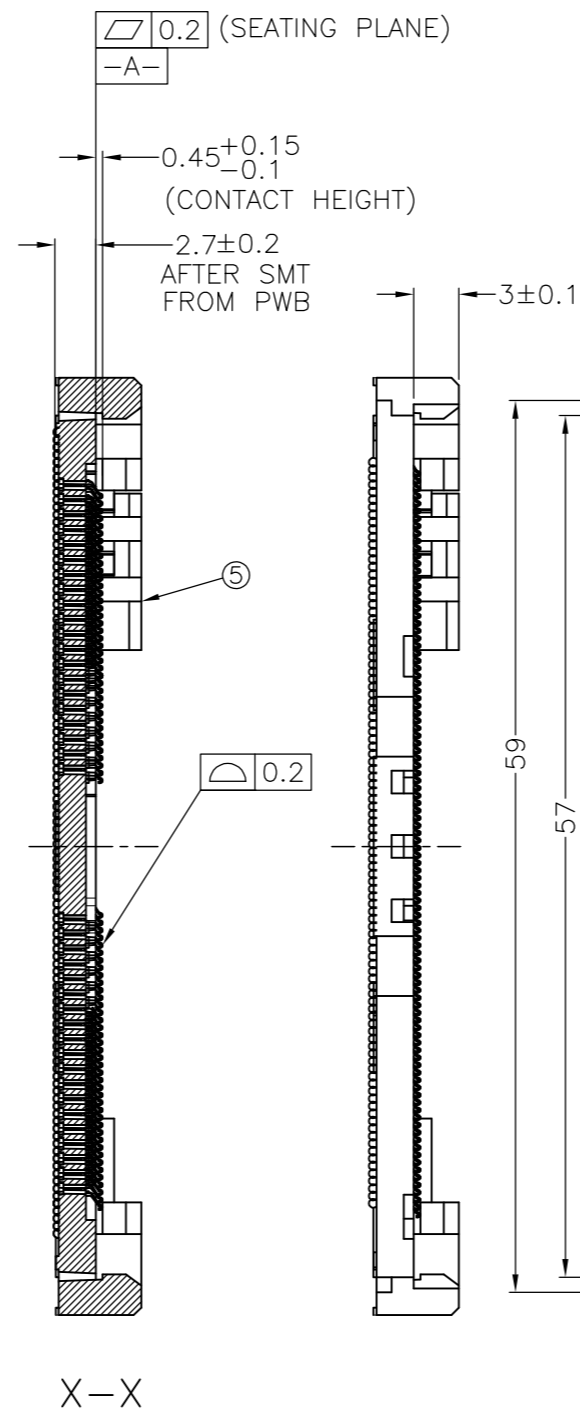
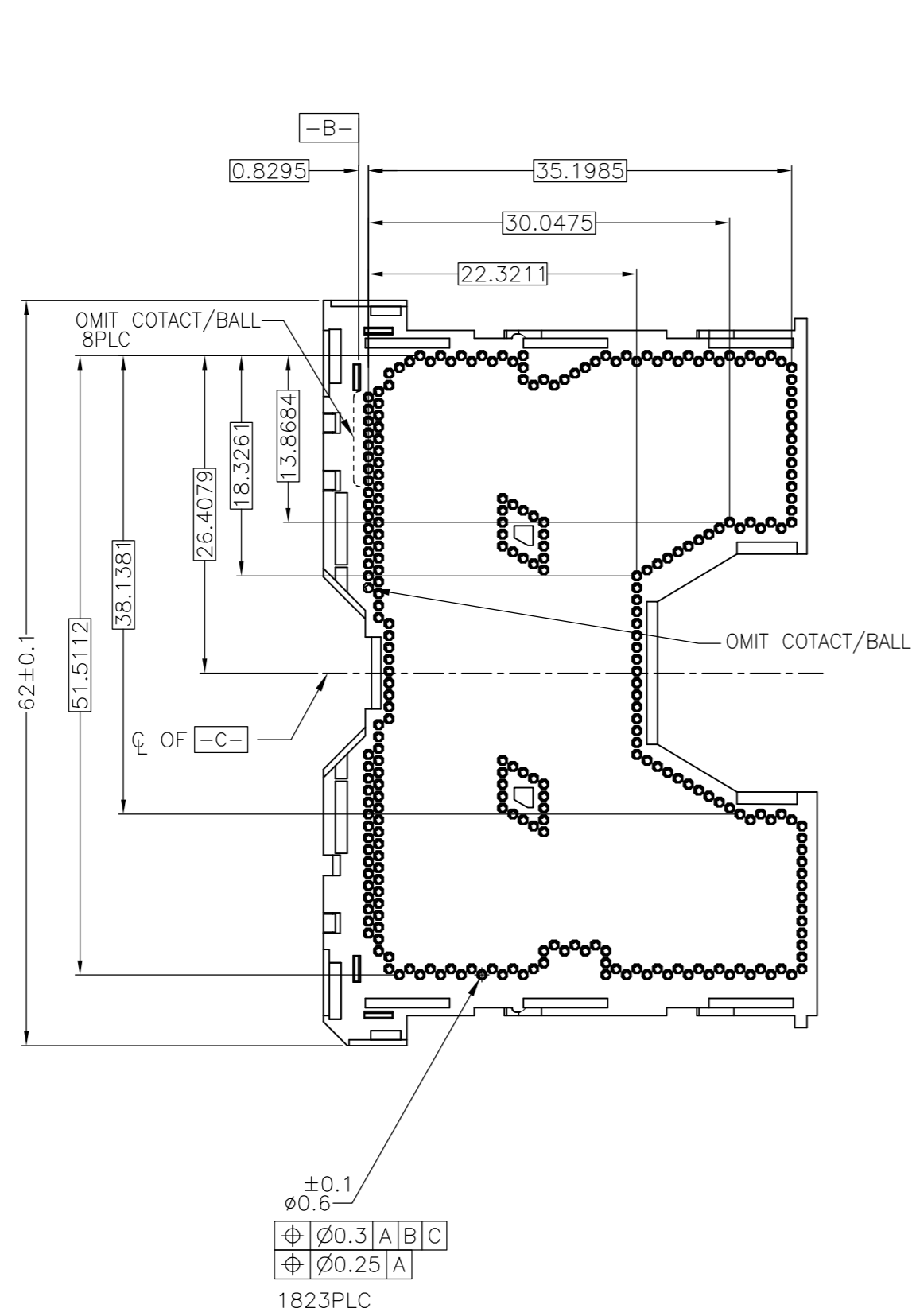


DETAIL P(10:1)

THESE VIEW DON'T SHOW CAP BEFORE SMT CONDITION
 LGA3647-1 LEFT SIDE ASSY
 1-2822980-* AS SHOWN

THIS DRAWING IS A CONTROLLED DOCUMENT.		DWN -	TE Connectivity	
DIMENSIONS: mm		CHK -		
TOLERANCES UNLESS OTHERWISE SPECIFIED:		APVD -	NAME	
0-PLC ± 1-PLC ± ±0.3 2-PLC ± ±3 3-PLC ± ±3 4-PLC ± ± ANGLES ± - FINISH -		PRODUCT SPEC -	SOCKET ASSY LGA3647-X	
MATERIAL -		APPLICATION SPEC -	SIZE A2	CAGE CODE 00779
		WEIGHT -	DRAWING NO C=2129710	RESTRICTED TO -
		CUSTOMER DRAWING	SCALE NTS	SHEET 2 OF 7
			REV B	

LOC		DIST		REVISIONS			
P	LTR	DESCRIPTION	DATE	DWN	APVD		
ES	-	SEE SHEET 1	-	-	-		

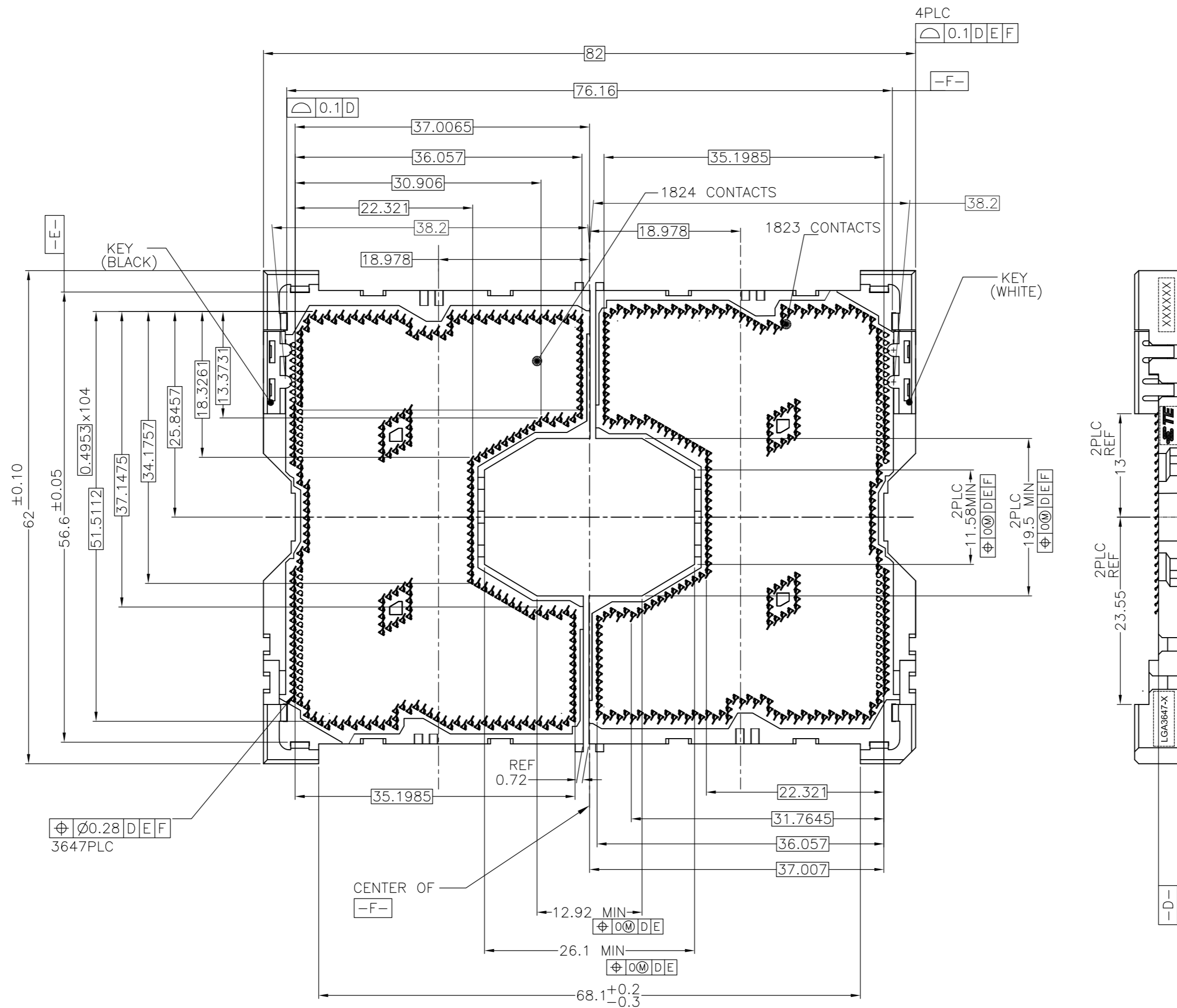


THESE VIEW DON'T SHOW CAP BEFORE SMT CONDITION LGA3647-1 RIGHT SIDE ASSY 2822980-* AS SHOWN

THIS DRAWING IS A CONTROLLED DOCUMENT.		DWN	TE Connectivity	
DIMENSIONS: mm		CHK	NAME	
TOLERANCES UNLESS OTHERWISE SPECIFIED:		APVD	SOCKET ASSY LGA3647-X	
0-PLC ±		PRODUCT SPEC	SIZE	CAGE CODE
1-PLC ± ±0.3		APPLICATION SPEC	A2	00779
2-PLC ± ±3		WEIGHT	DRAWING NO	RESTRICTED TO
3-PLC ±		CUSTOMER DRAWING	C=2129710	-
4-PLC ±		SCALE	NTS	SHEET 3 OF 7
ANGLES ±		REV	B	
FINISH				

THIS DRAWING IS UNPUBLISHED. RELEASED FOR PUBLICATION
 © COPYRIGHT - Tyco Electronics JAPAN G.K. ALL RIGHTS RESERVED.

LOC	DIST	REVISIONS					
		P	LTR	DESCRIPTION	DATE	DWN	APVD
ES	-	-	-	SEE SHEET 1	-	-	-



AFTER SMT CONDITION

THIS DRAWING IS A CONTROLLED DOCUMENT.		DWN	-	 TE Connectivity	NAME		SOCKET ASSY	
DIMENSIONS: mm		CHK	-		PRODUCT SPEC		LGA3647-X	
TOLERANCES UNLESS OTHERWISE SPECIFIED:		APVD	-		APPLICATION SPEC		SIZE	A2
0-PLC ± 1-PLC ± 2-PLC ± 3-PLC ± 4-PLC ± ANGLES ±		MATERIAL	-		CAGE CODE	00779	DRAWING NO	C=2129710
± 0.3 ± 3		FINISH	-	RESTRICTED TO	-			
CUSTOMER DRAWING		WEIGHT	-	SCALE	NTS	SHEET	4 OF 7	
		REVISIONS	-	REV	B			

THIS DRAWING IS UNPUBLISHED. RELEASED FOR PUBLICATION
 © COPYRIGHT - Tyco Electronics JAPAN G.K. ALL RIGHTS RESERVED.

LOC		DIST		REVISIONS			
P	LTR	DESCRIPTION	DATE	DWN	APVD		
-	-	SEE SHEET 1	-	-	-		

D

C

B

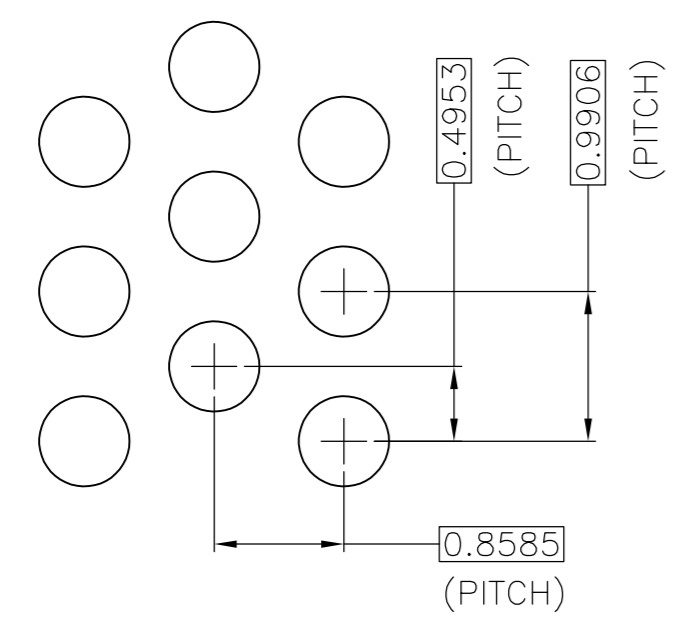
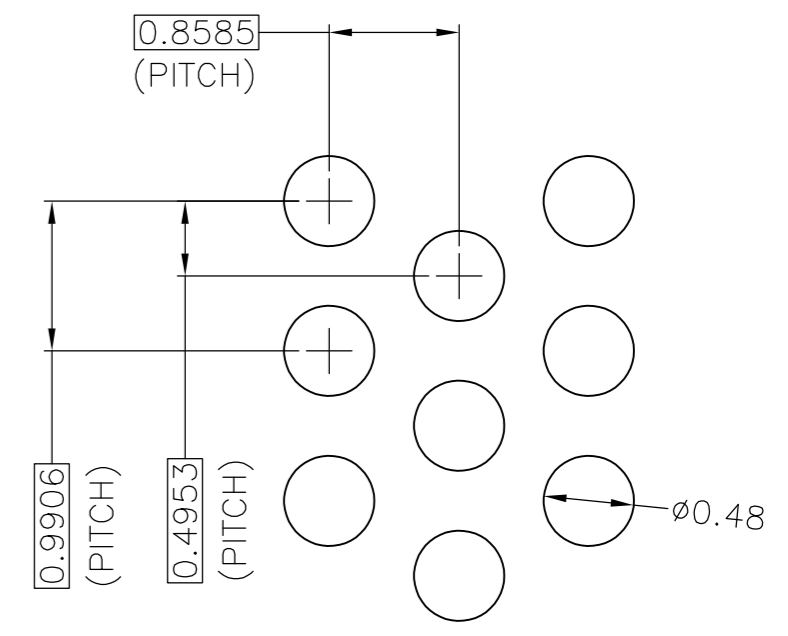
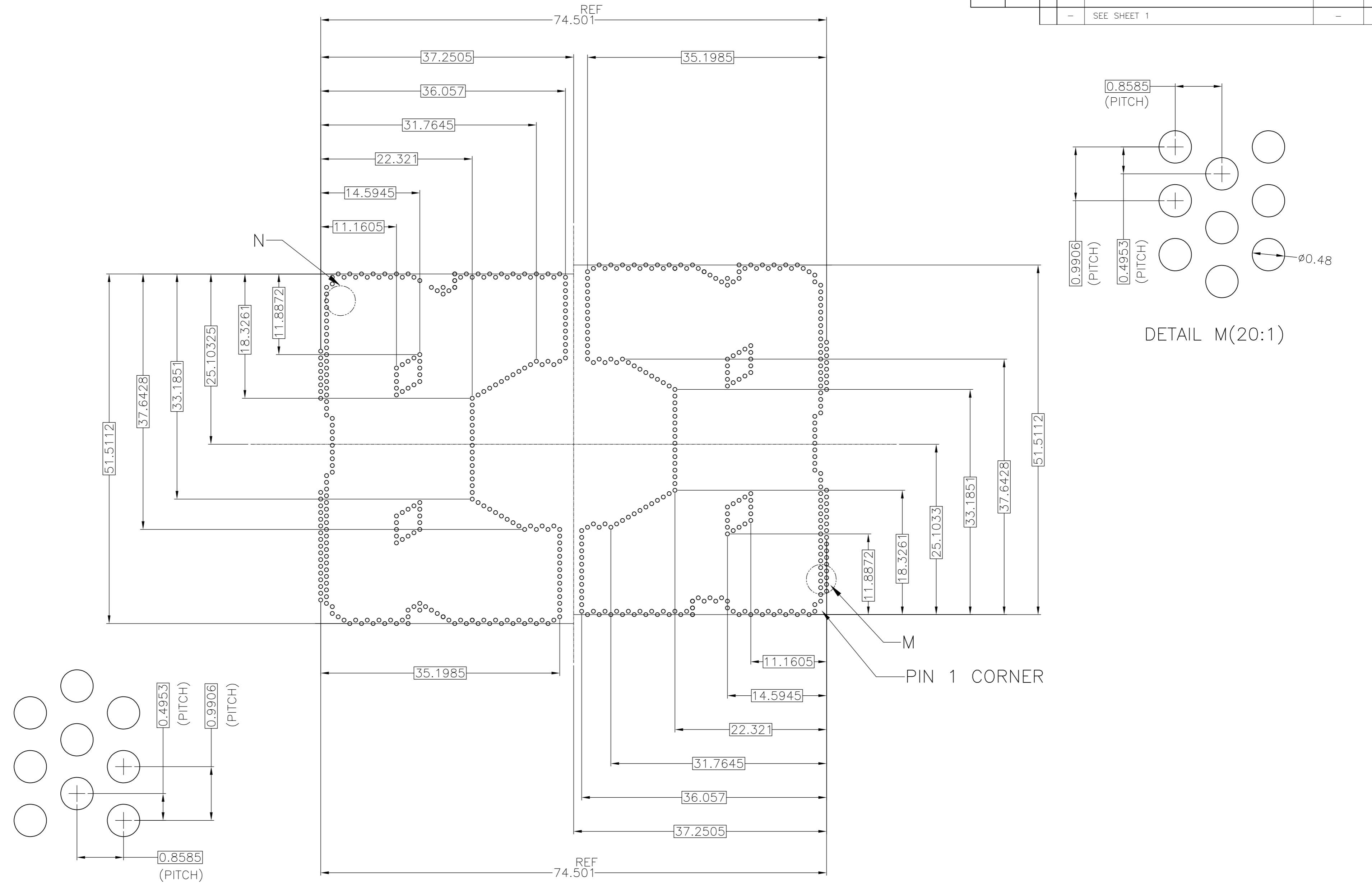
A

D

C

B

A



DETAIL N(20:1)

DETAIL M(20:1)

2129710

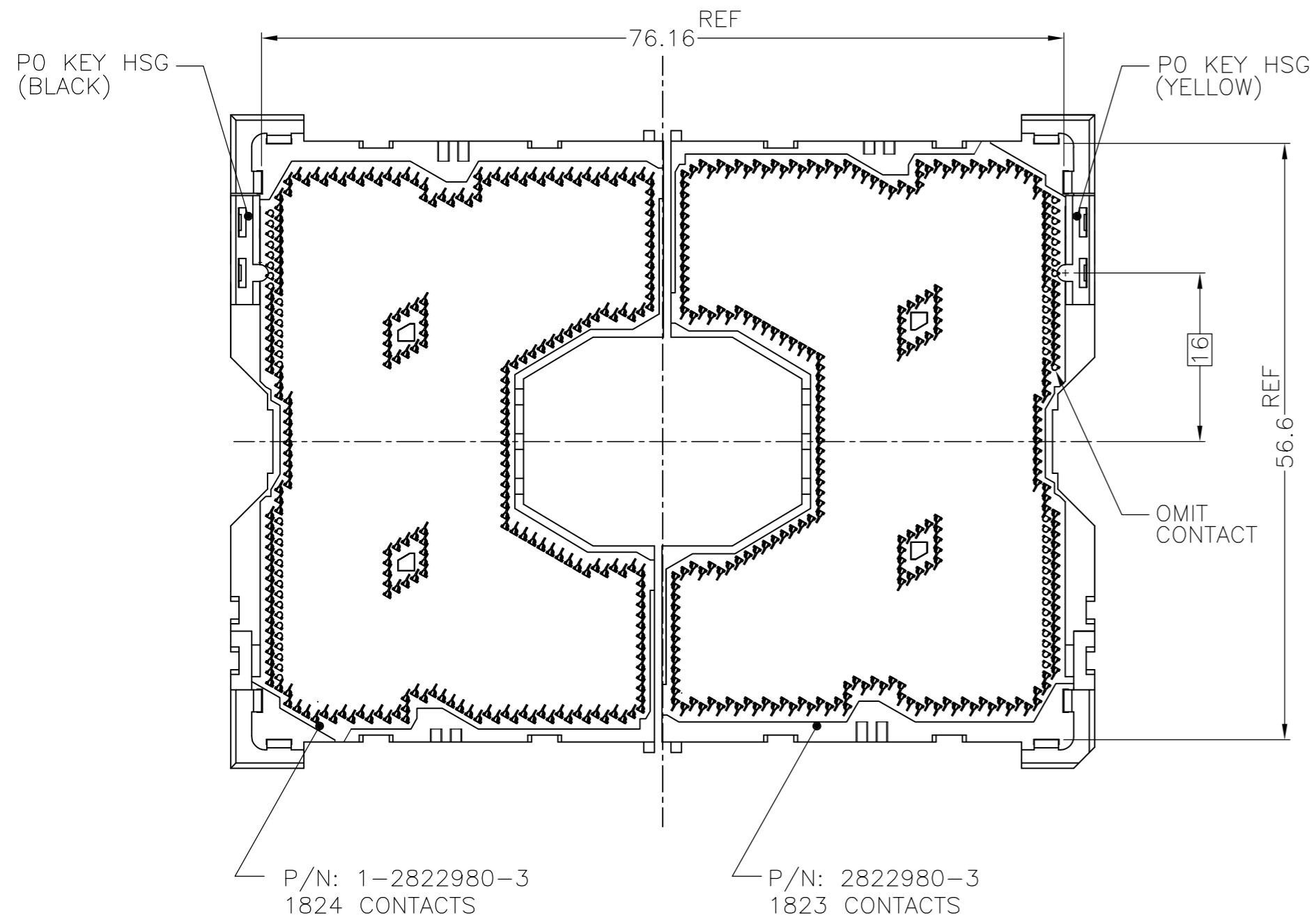
THIS DRAWING IS A CONTROLLED DOCUMENT.		DWN	-		
DIMENSIONS: mm		CHK	-		
TOLERANCES UNLESS OTHERWISE SPECIFIED:		APVD	-		
0-PLC ±		NAME			
1-PLC ± ±0.3		PRODUCT SPEC			
2-PLC ± ±3		APPLICATION SPEC			
3-PLC ±		SIZE	CAGE CODE	DRAWING NO	RESTRICTED TO
4-PLC ±		A2	00779	C=2129710	-
FINISH		CUSTOMER DRAWING		SCALE	SHEET
				NTS	5 of 7
				REV	B



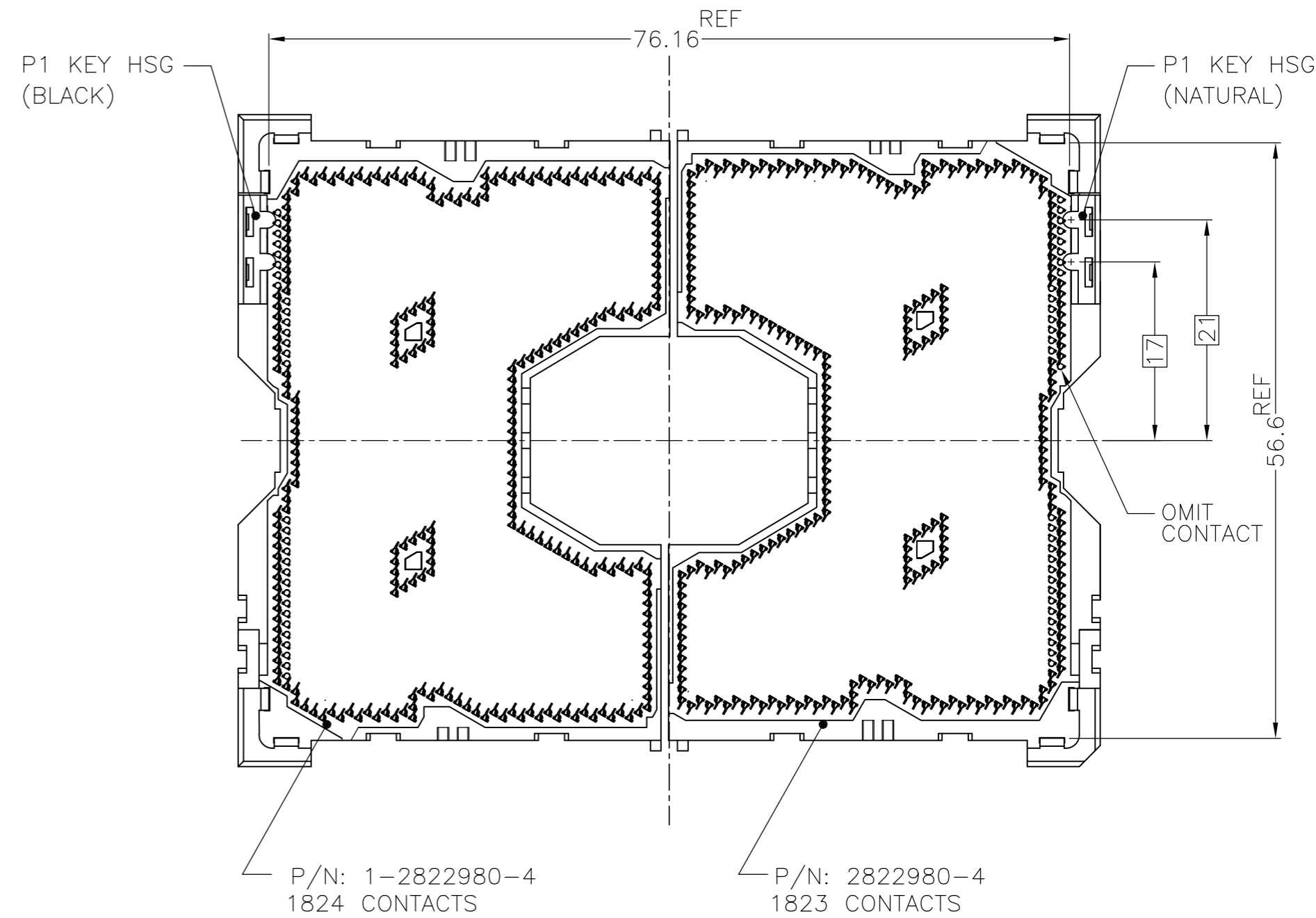
SOCKET ASSY
LGA3647-X

THIS DRAWING IS UNPUBLISHED. RELEASED FOR PUBLICATION
 © COPYRIGHT - Tyco Electronics JAPAN G.K. ALL RIGHTS RESERVED.

LOC	DIST	REVISIONS					
		P	LTR	DESCRIPTION	DATE	DWN	APVD
ES	-	-	-	SEE SHEET 1	-	-	-



LGA3647-0 AS SHOWN
 (KIT P/N: 2-2822979-3)



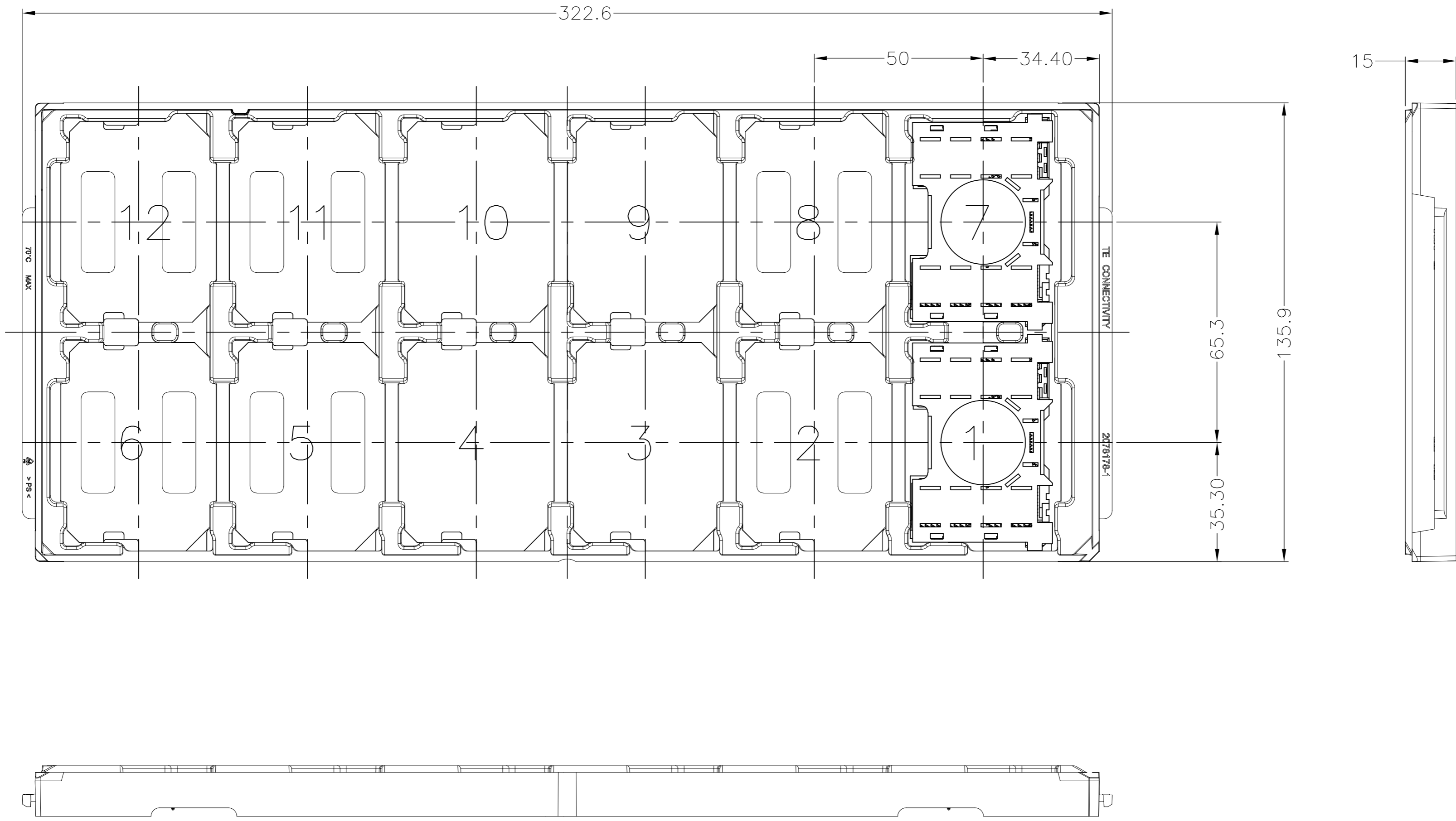
LGA3647-1 AS SHOWN
 (KIT P/N: 2-2822979-4)

LGA3647-X POST SMT CONDITION
 (PCB IS NOT SHOWN)

THIS DRAWING IS A CONTROLLED DOCUMENT.		DWN	TE Connectivity		
DIMENSIONS: mm		CHK	NAME		
TOLERANCES UNLESS OTHERWISE SPECIFIED:		APVD	SOCKET ASSY LGA3647-X		
0-PLC ±		PRODUCT SPEC	SIZE	CAGE CODE	DRAWING NO
1-PLC ± ±0.3		APPLICATION SPEC	A2	00779	C=2129710
2-PLC ± ±3		WEIGHT	RESTRICTED TO		
3-PLC ± ±		CUSTOMER DRAWING	SCALE NTS SHEET 6 OF 7 REV B		
4-PLC ± ±					
ANGLES ± ±					
FINISH					

THIS DRAWING IS UNPUBLISHED. RELEASED FOR PUBLICATION
 © COPYRIGHT - Tyco Electronics JAPAN G.K. ALL RIGHTS RESERVED.

LOC		DIST		REVISIONS			
P	LTR	DESCRIPTION		DATE	DWN	APVD	
-	-	SEE SHEET 1		-	-	-	



FOR LEFT SEGMENT, USE BLACK TRAY TO PACKAGE.
 FOR RIGHT SEGMENT, USE BLUE TRAY TO PACKAGE.

168	84	12	2822980-4	2-2129710-8	LGA3647-1 RIGHT SEGMENT	LGA3647-1 SOCKET P1
168	84	12	1-2822980-4	2-2129710-7	LGA3647-1 LFFT SEGMENT	LGA3647-0 SOCKET P0
168	84	12	2822980-3	2-2129710-6	LGA3647-0 RIGHT SEGMENT	LGA3647-0 SOCKET P0
168	84	12	1-2822980-3	2-2129710-5	LGA3647-0 LFFT SEGMENT	LGA3647-0 SOCKET P0
SOCKET QTY PER OUTER BOX	SOCKET QTY PER INNER BOX	SOCKET QTY PER TRAY	ASSY PART NUMBER	ORDER PART NUMBER	PRODUCT NAME	

THIS DRAWING IS A CONTROLLED DOCUMENT.

DWN	-		TE Connectivity			
CHK	-		NAME			
APVD	-		SOCKET ASSY LGA3647-X			
PRODUCT SPEC	-		SIZE	CAGE CODE	DRAWING NO	RESTRICTED TO
APPLICATION SPEC	-	A2	00779	C=2129710	-	
MATERIAL	-	WEIGHT		-	-	
FINISH	-	CUSTOMER DRAWING		SCALE	SHEET	REV
				NTS	7 of 7	B